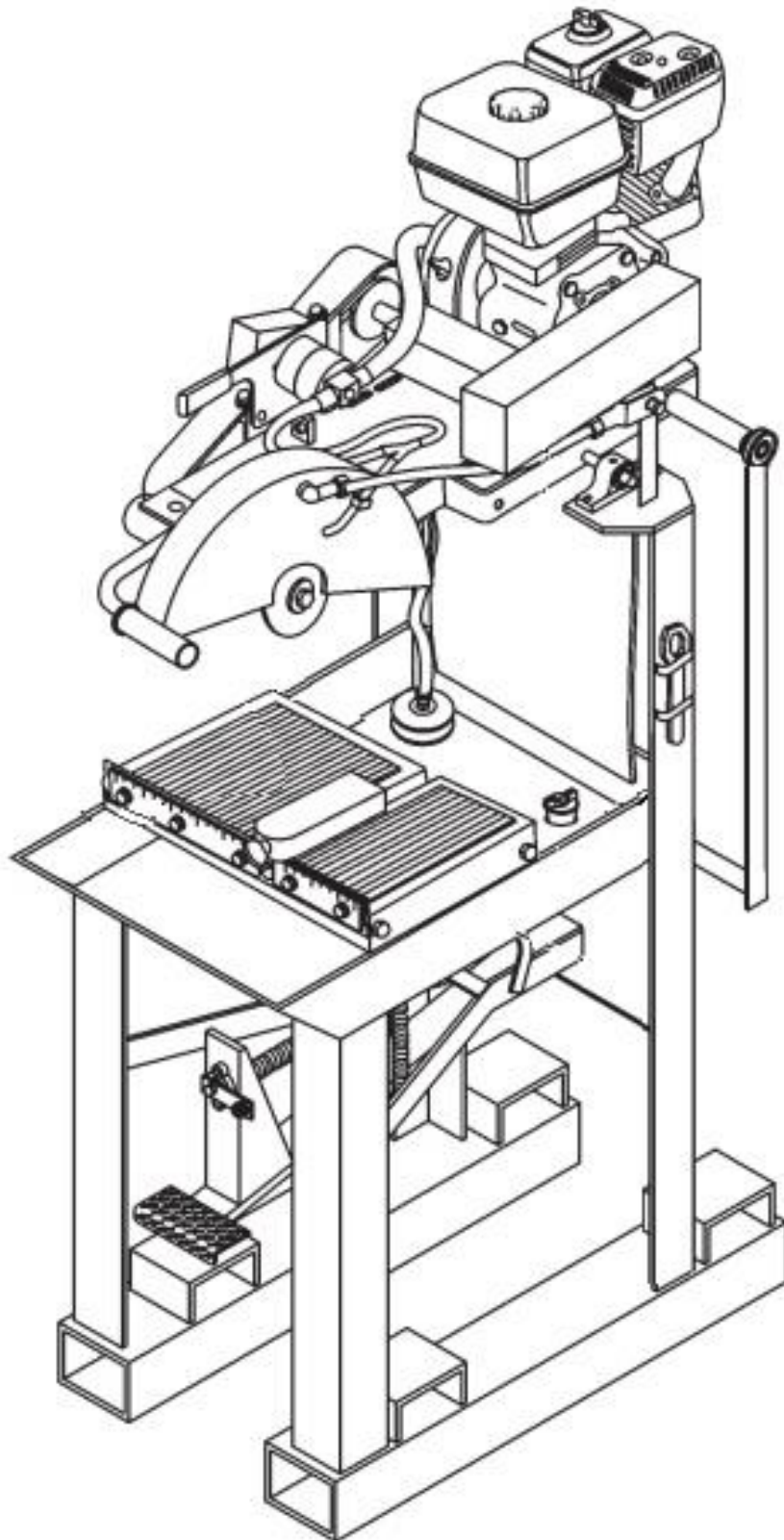
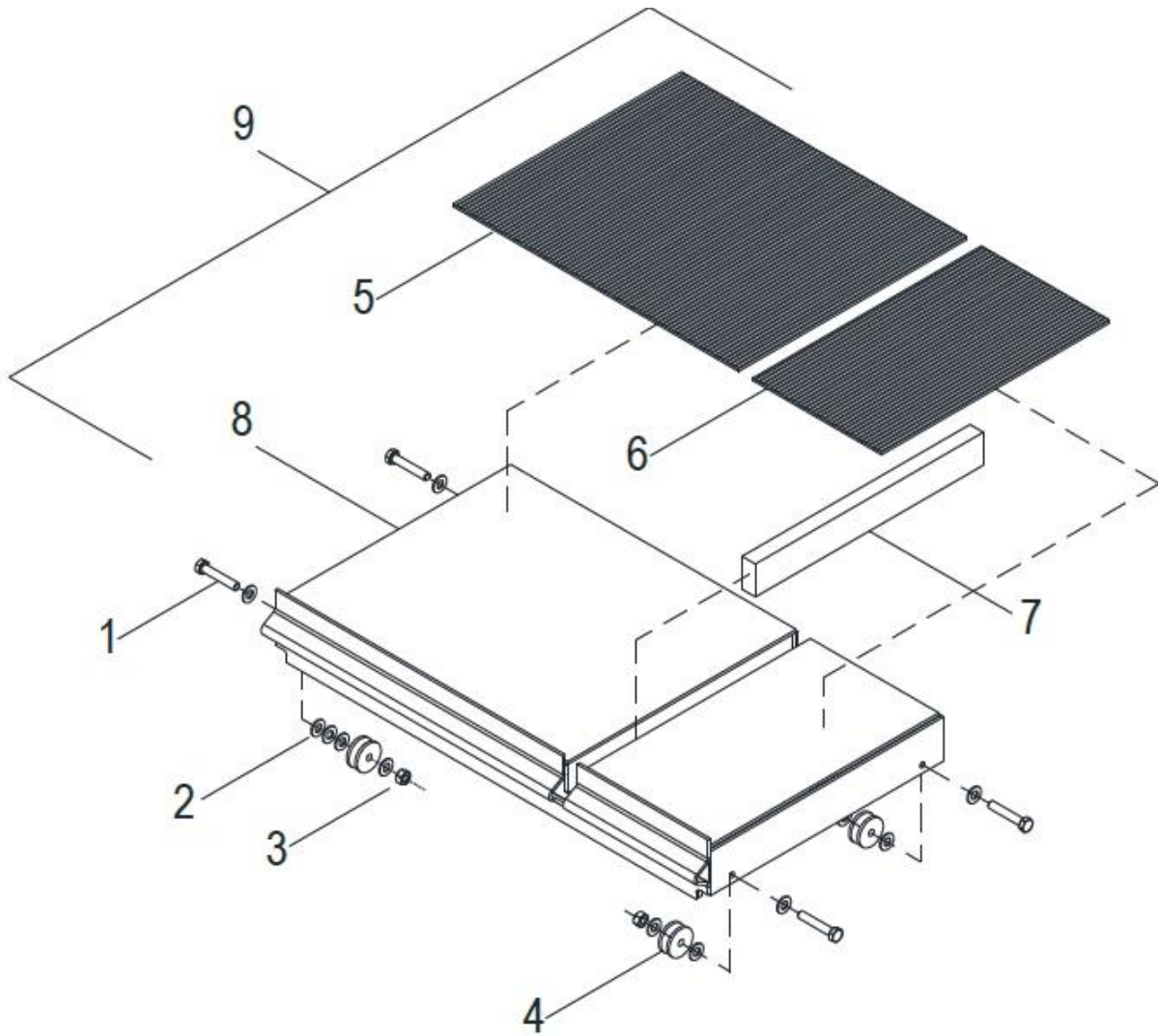


# BBS20

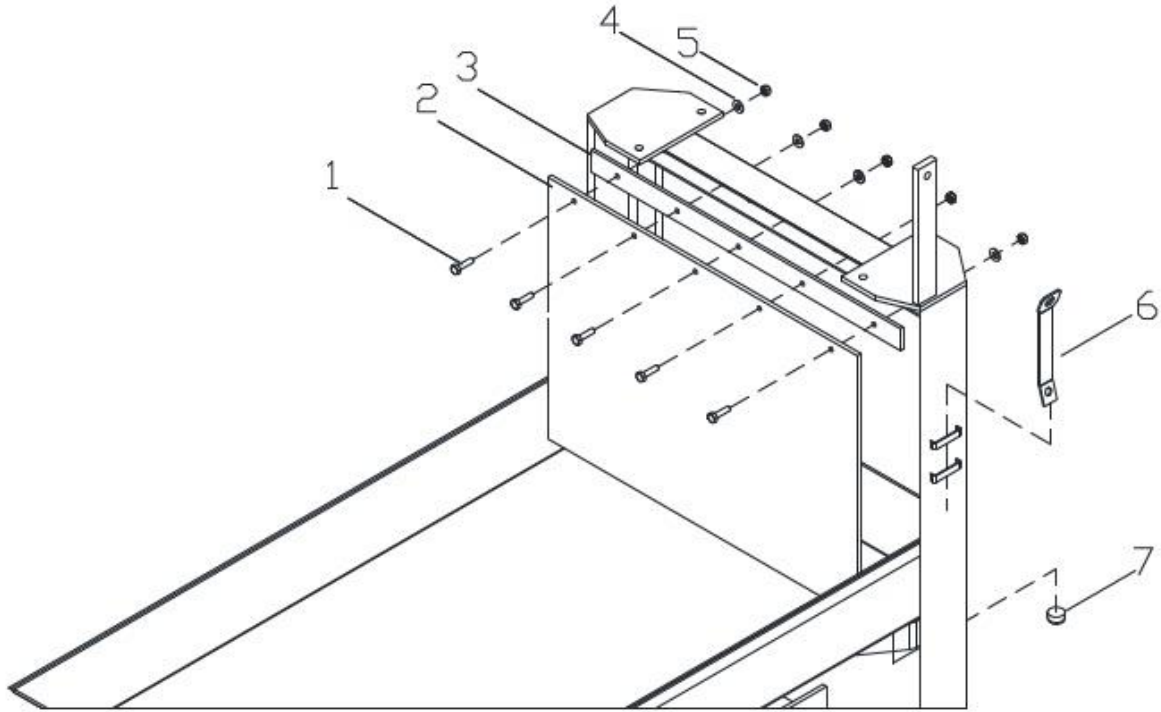


# CART ASSEMBLY



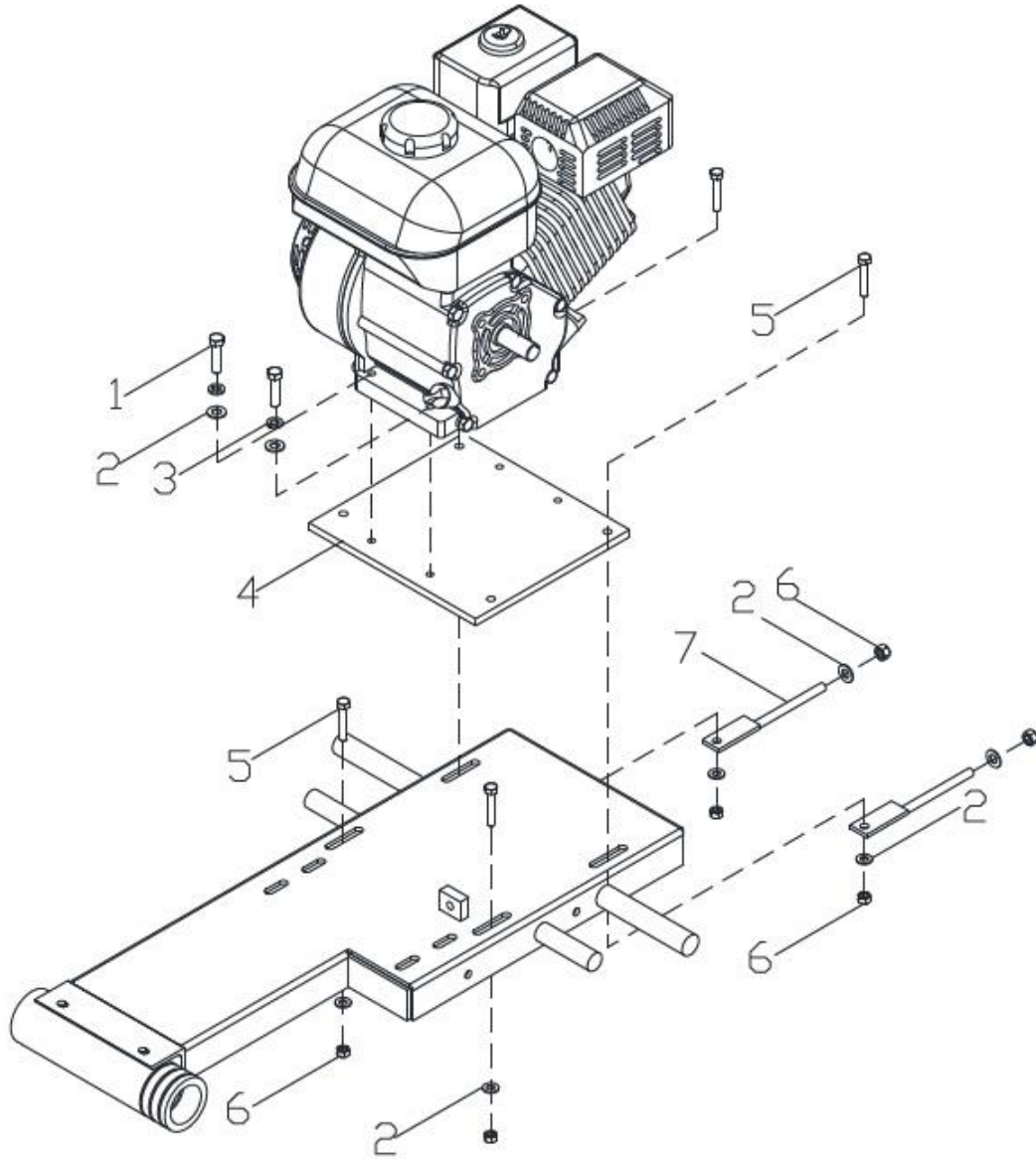
CART ASSEY BREAK DOWN				
ITEM	M.I.D. #	PART #	DESCRIPTION	BBS20
1	TOCD056134		BOLT HEXHD, 5/16" X 1-3/4"	4
2	RNPX056GAL		WASHER PLAIN, 5/16"	16
3	TCCS056GAL	T148	LOCK NUT, 5/16"	4
4	0414NY01CR		1-1/4" STEEL BALL BEARING WHEEL D-1796	4
5	0414HN01CR		RUBBER V-RIB (15" X 12")	1
6	0414HN02CR		RUBBER V-RIB (6-3/4" X 12")	1
7	0414MD01CR		WOOD INSERT	1
8	0414CO01CR		CART	1
9	0414CO01EF		ASSEMBLY CART	1

# CUTTING TRAY ASSEMBLY



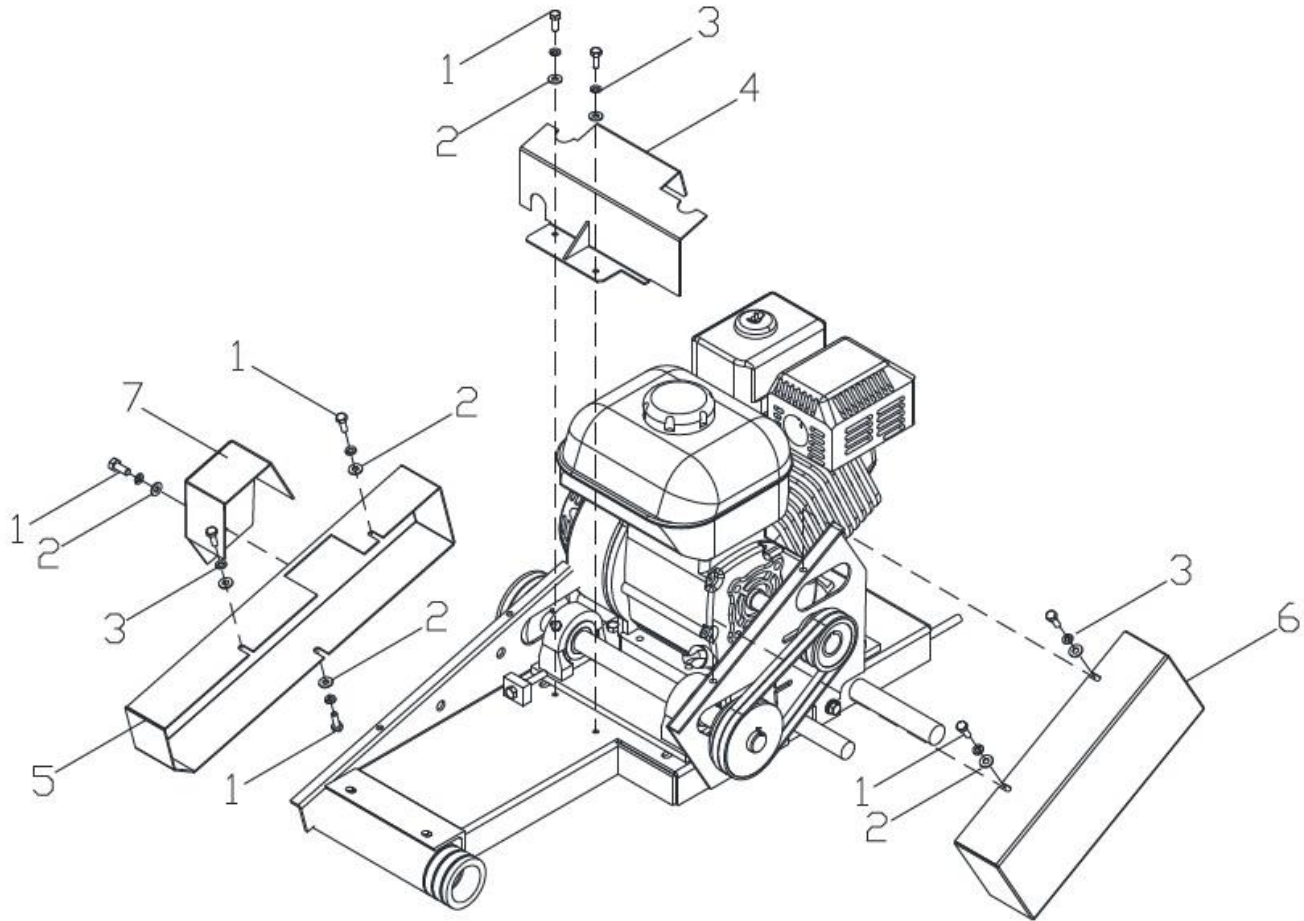
TRAY ASSEMBLY BREAK DOWN				
ITEM	M.I.D. #	PART #	DESCRIPTION	BBS20
1	TOCD014100		BOLT HEXHD, 1/4" X 1"	5
2	0414HN01CA		SPLASH CURTAIN, BBC20	1
3	0414SO01CA		CURTAIN SUPPORT	1
4	RNPX014GAL		WASHER PLAIN, 1/4"	5
5	TCCS014GAL		LOCK NUT, 1/4"	5
6	0414LA01CA		9/16" GUARD BLADE WRENCH, BBS20	1
7	0414RF01CA		CAP, 1/2"	1

# ENGINE MOUNT ASSEY



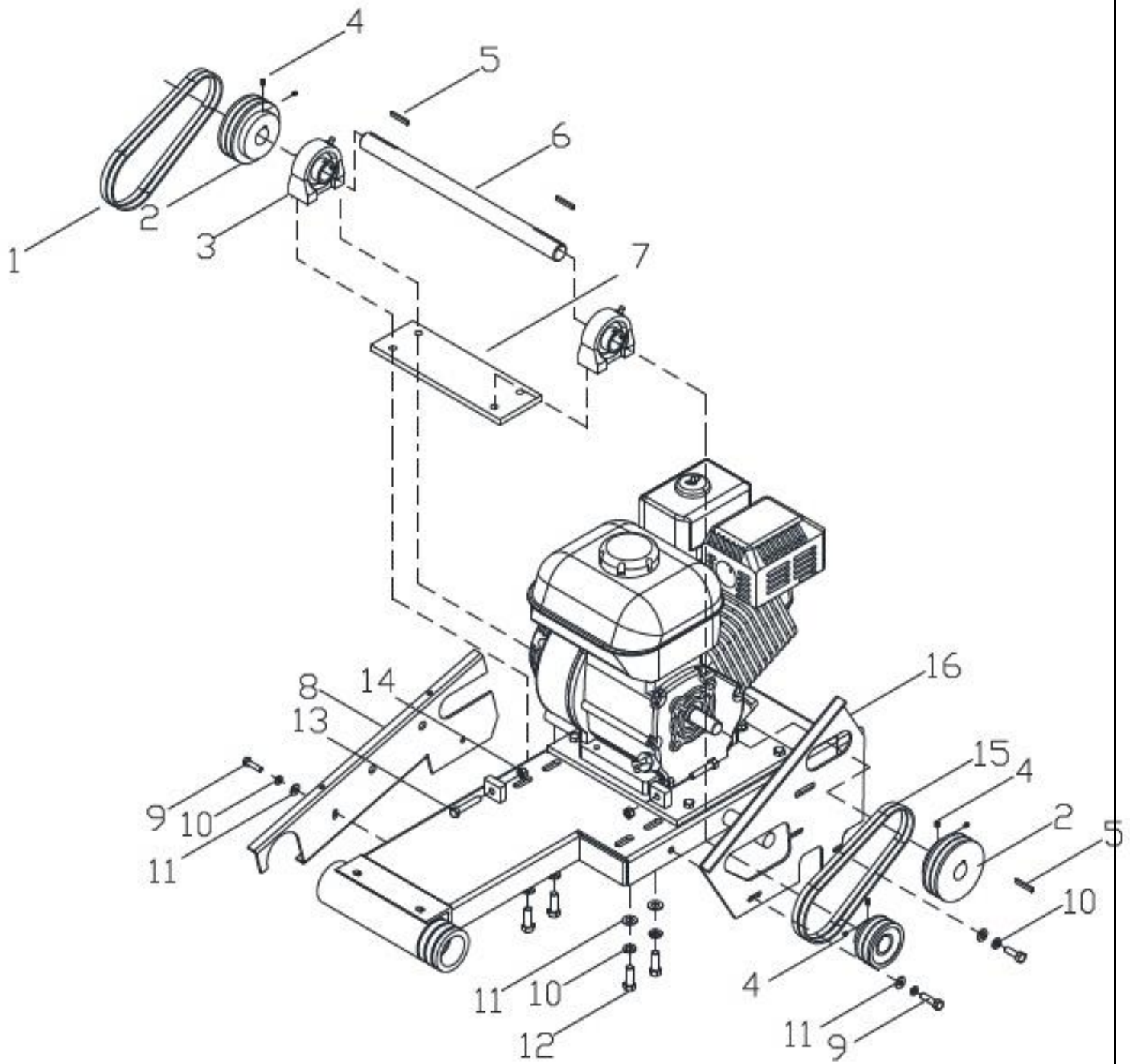
ENGINE MOUNT ASSEY				
ITEM	M.I.D. #	PART #	DESCRIPTION	BBS20
1	TOCD038112	T176	BOLT HEXHD, 3/8" X 1-1/2"	4
2	RNPX038GAL	T112	WASHER PLAIN, 3/8"	10
3	RNRX038GAL	T113	LOCK WASHER, 3/8"	4
4	0414PL01BM		ENGINE MOUNT	1
5	TOCD038134		BOLT HEXHD, 3/8" X 1-3/4"	4
6	TCCS038GAL	T114	LOCK NUT, 3/8"	6
7	0414CO01BM		BELT TIGHTENER	2

# ENGINE BELTS & JACKSHAFT COVER ASSEY



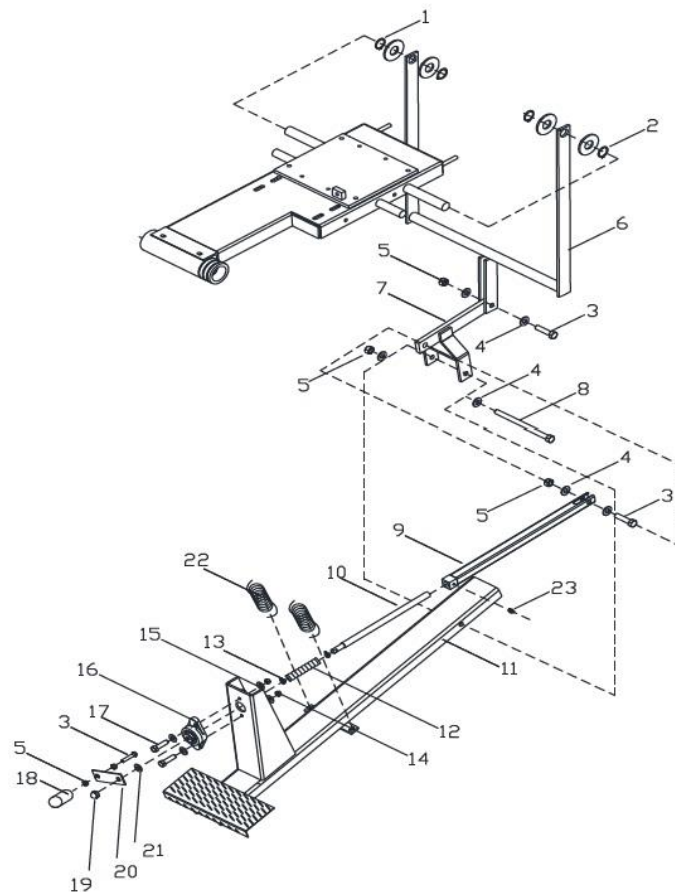
ENGINE/BELTS COVER ASSEY				
ITEM	M.I.D. #	PART #	DESCRIPTION	BBS20
1	TOCD036034		BOLT HEXHD, 3/16" X 3/4"	8
2	RNPX036GAL		WASHER PLAIN, 3/16"	8
3	RNRX036GAL		LOCK WASHER, 3/16"	8
4	0414LA01JF		JACKSHAFT COVER GUARD W/FITTINGS OPENING	1
5	0414LA03GB		WATER PUMP BELT GUARD, LEFT SIDE	1
6	0414LA04GB		ENGINE & JACKSHAFT GUARD, RIGHT SIDE	1
7	0414LA05GB		COVER, WATER PUMP	1

# JACKSHAFT ASSEY



JACKSHAFT ASSEY BREAK DOWN				
ITEM	M.I.D. #	PART #	DESCRIPTION	BBS20
1	04143VX375	0414BN01JF	SPINDLE V-BELT 3VX375	2
2	POCR2581002R	0414CR01JF	ENGINE / JACKSHAFT PULLEY 2-5/8" O.D. <b>GASOLINE ONLY</b>	3
3	0414CH01JF		PILLOW BLOCK, 1"	2
4	OPFR014014		ALLEN SCREW, 1/4"	6
5	0414CC01JF		KEY SQUARE 1/4" X1-1/4"	3
6	0414CR02JF		JACKSHAFT 1" X 15-1/8"	1
7	0414PL01JF		SUPPORT PLATE, JACKSHAFT	1
8	0414LA01GB		MOUNTING BRACKET, BELT GUARD	1
9	TOCD038100	C138	BOLT HEXHD, 1/4" X 1"	4
10	RNRX038GAL		LOCK WASHER, 3/8"	8
11	RNPX038GAL		WASHER PLAIN, 3/8"	8
12	TOCD038114		BOLT HEXHD, 1/4" X 1-1/4"	4
13	TOCD038400		BOLT HEXHD, 1/4" X 4"	2
14	TCCS038GAL	T114	LOCK NUT, 3/8"	2
15	0414BN02JF		DRIVE BELT 3VX250	2
16	0414LA02GB		BELT GUARD MOUNT	1

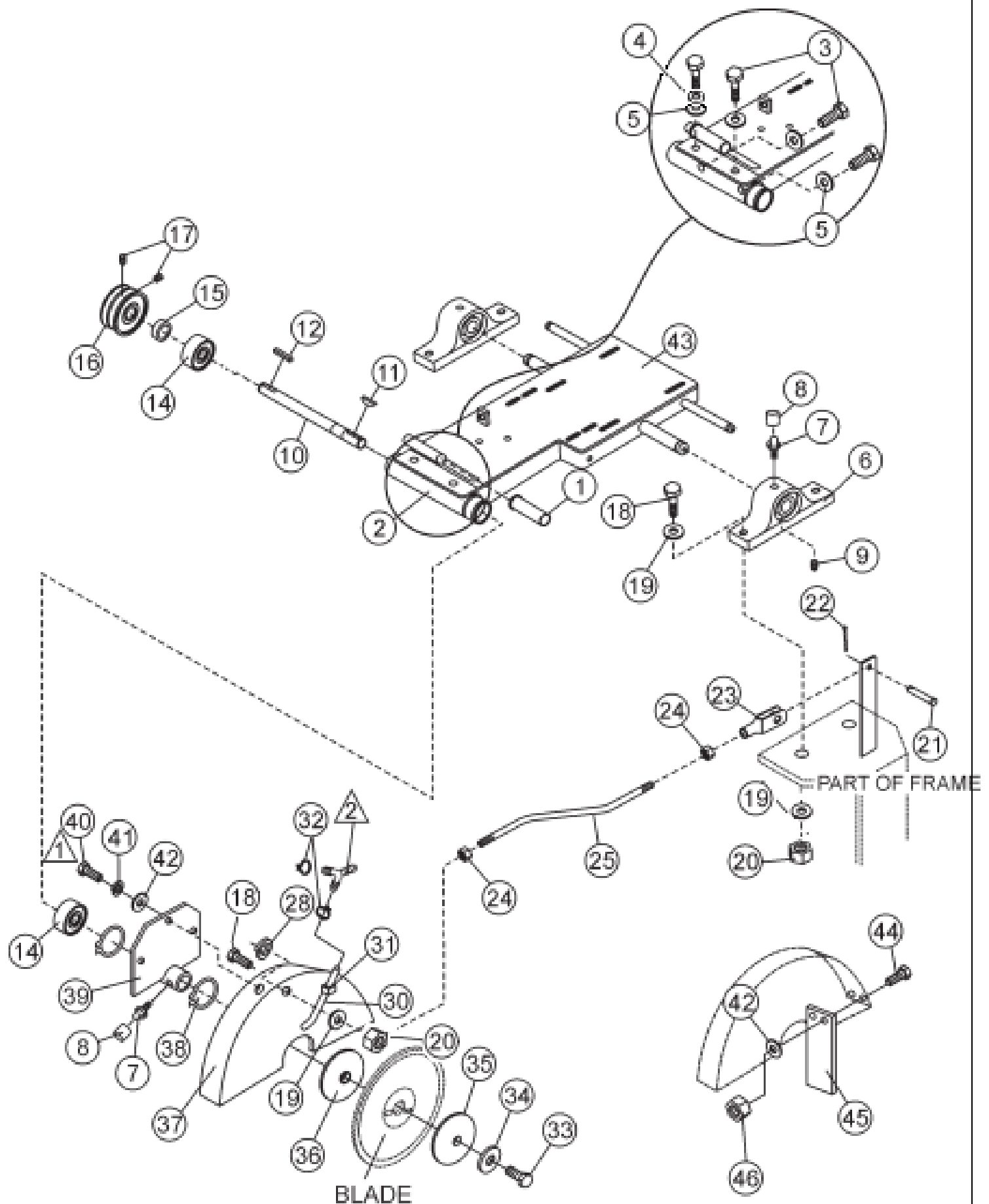
## STEP PEDAL ASSEY



<b>STEP PEDAL ASSEY</b>				
<b>ITEM</b>	<b>M.I.D. #</b>	<b>PART #</b>	<b>DESCRIPTION</b>	<b>BBS20</b>
1	RNPX100GAL		WASHER PLAIN, 1"	4
2	0414RF01DP		SNAP RING 1"	2
3	TOCD012200		BOLT HEXHD, 1/2" X 2"	3
4	RNPX012GAL		WASHER PLAIN, 1/2"	7
5	TCCS012GAL		LOCK NUT, 1/2"	4
6	0414CO01DP		PIVOT BRACKET, MOTOR PLATE	1
7	0414CO02DP		PIVOT BRACKET, STEP PEDAL	1
8	TOCD012700		BOLT HEXHD, 1/2" X 7"	1
9	0414CO03DP		PIVOT TUBE	1
10	0414CR01DP		ROD, BLADE HEIGHT ADJ.	1
11	0414CO04DP		FOOT PEDAL	1
12	0414RF02DP		PEDAL BELLOWS	1
13	0414RF03DP		CLAMP HOSE	1
14	TCCS056GAL	T148	LOCK NUT, 5/16"	2
15	RNPX056GAL		WASHER PLAIN,5/16"	2
16	0414CH01DP		5/8" BEARING FLANGED PILLOW BLOCK, BBS20	1
17	TOCD056112		BOLT HEXHD, 5/16" X 1-1/2"	2
18	0414NY01DP		ADJUSTABLE HANDLE CAP	1
19	0414RF05DP		CAP NUT 5/8"	1
20	0414SO01DP		ADJUSTABLE HANDLE BODY PLATE	1
21	RNPX058GAL		WASHER PLAIN,5/8"	1
22	0414RF06DP		EXTENSION SPRING	2
23	0000GRH200		GREASE FITTING, 1/8 NPT	1

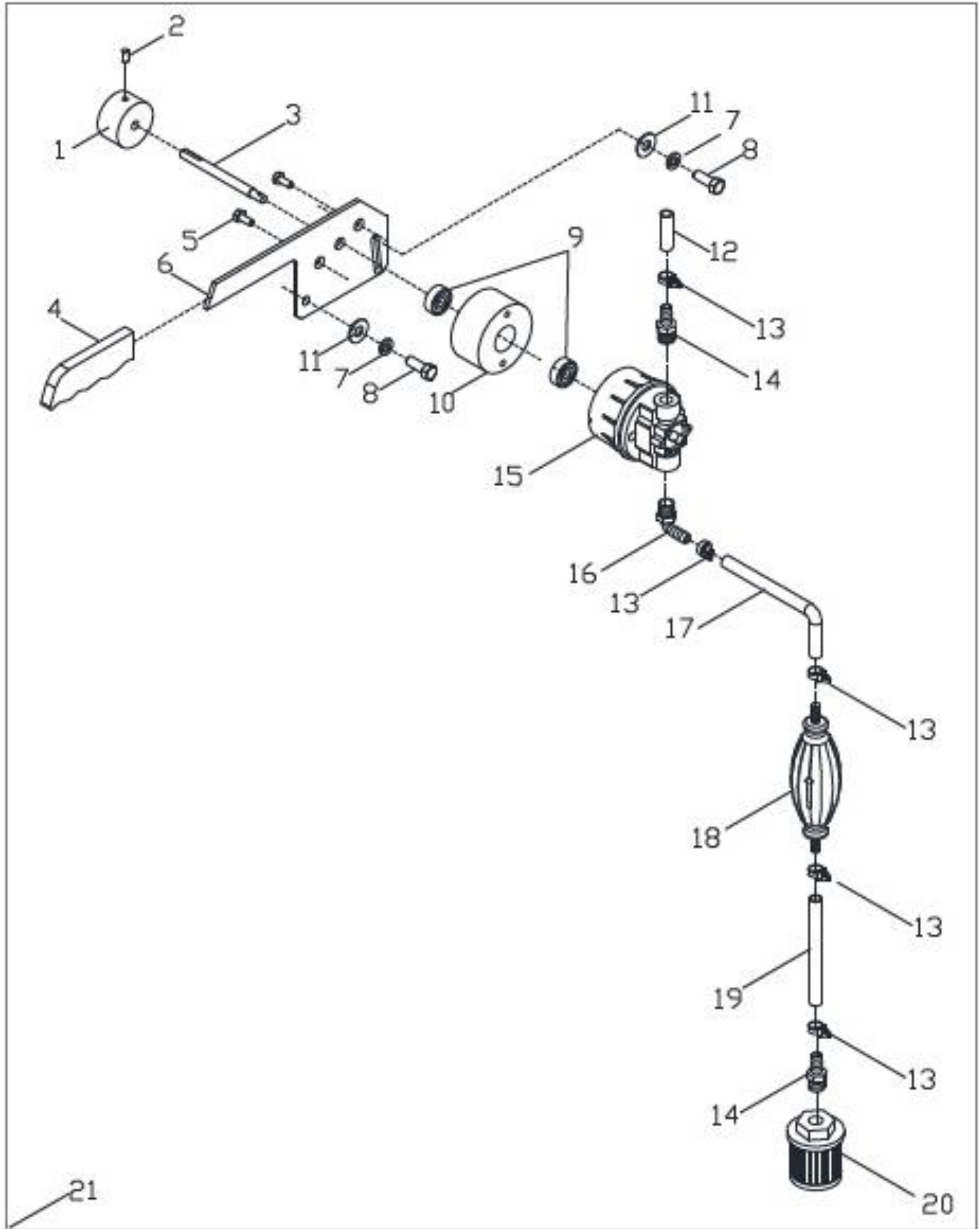


# SPINDLE BLADE ASSEY



ENGINE SPINDLE BLADE ASSEY				
ITEM	M.I.D. #	PART #	DESCRIPTION	BBS20
1	0000RF01RJ	T166	GRIP HANDLE	1
2	0414BH01CO		TUBE SPINDLE ASSAY W/FITTING	1
3	TOCD056100		BOLT HEXHD, 5/16" X 1"	4
4	RNRX056GAL		LOCK WASHER, 5/16"	4
5	RNPX056GAL		WASHER PLAIN, 5/16"	4
6	0414CH01CO		PILLOW BLOCK, 1" (INCLUDES 7,8 Y 9)	2
7	0000GRH200	T-216	GREASE FITTING, 1/8 NPT	1
8	N/A		GREASE FITTING CAP, (INCLUDED ON 0000GRH200)	3
9	N/A		SET SCREW, PILLOW BLOCK (INCLUDED ON 0414CH01CO)	2
10	0414CR01CO		SHAFT SPINDLE	1
11	0414CC01CO		WOODRUFF KEY	1
12	0414CC02CO		KEY 3/16 X 1-1/4 IN.	1
14	0414RF01CO		BEARING 5204RS	2
15	0414CR02CO		SPACER 1/2", BBS20	1
16	0414CR03CO		PULLEY SPINDLE 3-1/8" O.D. GAS UNITS ONLY	1
16	?	?	PULLEY SPINDLE ELECTRIC UNITS ONLY	1
17	OPFR014014		ALLEN SCREW, 1/4"	2
18	TOCD038134		BOLT, HEXHD, 3/8" X 1-3/4"	5
19	RNPX038GAL	T112	WASHER PLAIN, 3/8"	5
20	TCCS038GAL	T114	LOCK NUT, 3/8"	5
21	0414CR04CO		PIN, CLEVIS 3/8 X 1-1/8 IN	1
22	SC3116200GAL	T111	PIN COTTER, 3/16 X 2	1
23	0414RF01GD		CONNECTING ADJUSTABLE YOKE ROD	1
24	TCCN038GAL	T410	NUT HEX, 3/8"	2
25	0414CR01GD		BLADE GUARD TIE ROD	1
28	RNRX038GAL		LOCK WASHER, 3/8"	2
30	0414RF02GD		BLADE COOLER HOSE 1/4"	2
31	0414RF03GD		CLAMP HOSE, BLADE GUARD	2
32	0414RF04GD		CLAMP HOSE	2
33	TOFD038114		HEX BOLT, 3/8" x 1-1/4" NF	1
34	RNRX038GAL	T113	LOCK WASHER, 3/8"	1
35	0414CR05CO		OUTER FLANGE	1
36	0414CR06CO		OUTER INNER	1
37	0414CO01GD		BLADE GUARD ASSAY	1
38	0414RF05GD		SNAP RING	2
39	0414CO02GD		MOUNTING PLATE, BLADE GUARD	1
40	TOCD014112		BOLT, HEXHD, 1/4" X 1-1/2"	3
41	RNRX014GAL		LOCK WASHER, 1/4"	3
42	RNPX014GAL		WASHER PLAIN, 1/4"	5
43	0414CO02BM		MOTOR PLATE ASSAY	1
44	TOCD014100		BOLT, HEXHD, 1/4" X 1"	2
45	0414HN01GD		SPLASH SHIELD	1
46	TCCS014GAL		LOCK NUT, 1/4"	1

# WATER PUMP (GAS MODEL) ASSEY



WATER PUMP (GAS MODEL) ASSEY				
ITEM	M.I.D. #	PART #	DESCRIPTION	BBS20
1	0414FA01SA		PULLEY WATER PUMP 2"	1
2	0414RF01SA		SCREW, SHS 1/4"-20 X 1/2"	4
3	0414RF02SA		SHAFT PUMP	1
4	0414RF03SA		GRIP, PUMP HANDLE	1
5	0414RF04SA		SCREW, RHM 1/4"-20 X 5/8"	2
6	0414RF05SA		BRACKET, PUMP MOUNTING	1
7	0414RF06SA		WASHER LOCK, 3/8"	2
8	0414RF07SA		SCREW, HHC 3/8"-16 X 1"	2
9	0414RF08SA		BEARING, BALL	2
10	0414RF09SA		CAP, WATER PUMP	1
11	0414RF10SA		WASHER, FLAT 3/8"	2
12	0414RF11SA		HOSE, BRAIDED PVC 3/8" X 5/8"	1
13	0414RF12SA		HOSE CLAMP	4
14	0414RF13SA		FITTING, PLASTIC STR 6 BARB	2
15	0414RF14SA		BASE, WATER PUMP	1
16	0414RF15SA		FITTING, PLASTIC 90 6 BARB	1
17	0414RF16SA		HOSE, BRAIDED PVC 3/8" X 5/8"	1
18	0414RF17SA		BULB, PRIMER	1
19	0414RF18SA		HOSE, BRAIDED PVC 3/8" X 5/8"	1
20	0414RF19SA		STRAINER, INLET 3/8"	1
21	0414RF20SA		WATER PUMP KIT	1

**Octavio Chavez**

North America Sales Manager

[manager@tkequip.com](mailto:manager@tkequip.com)

[www.tkequip.com](http://www.tkequip.com)



**Phone line: (956) 796-9411**

**Fax: (956) 462 2500**

**Jaime Ortiz**

Parts & Customer Service

[parts@btmequipment.com](mailto:parts@btmequipment.com)

[service@btmequipment.com](mailto:service@btmequipment.com)