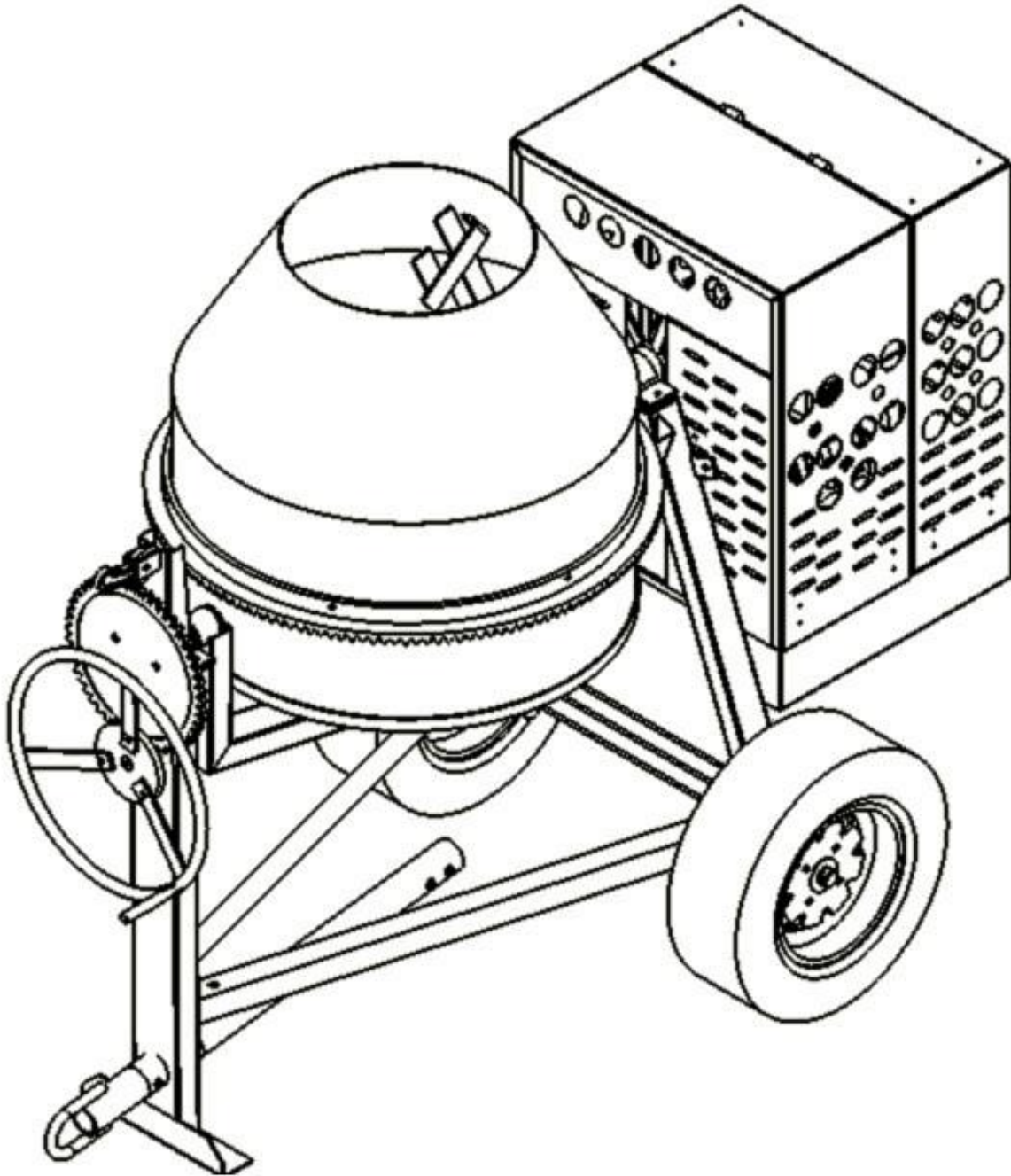
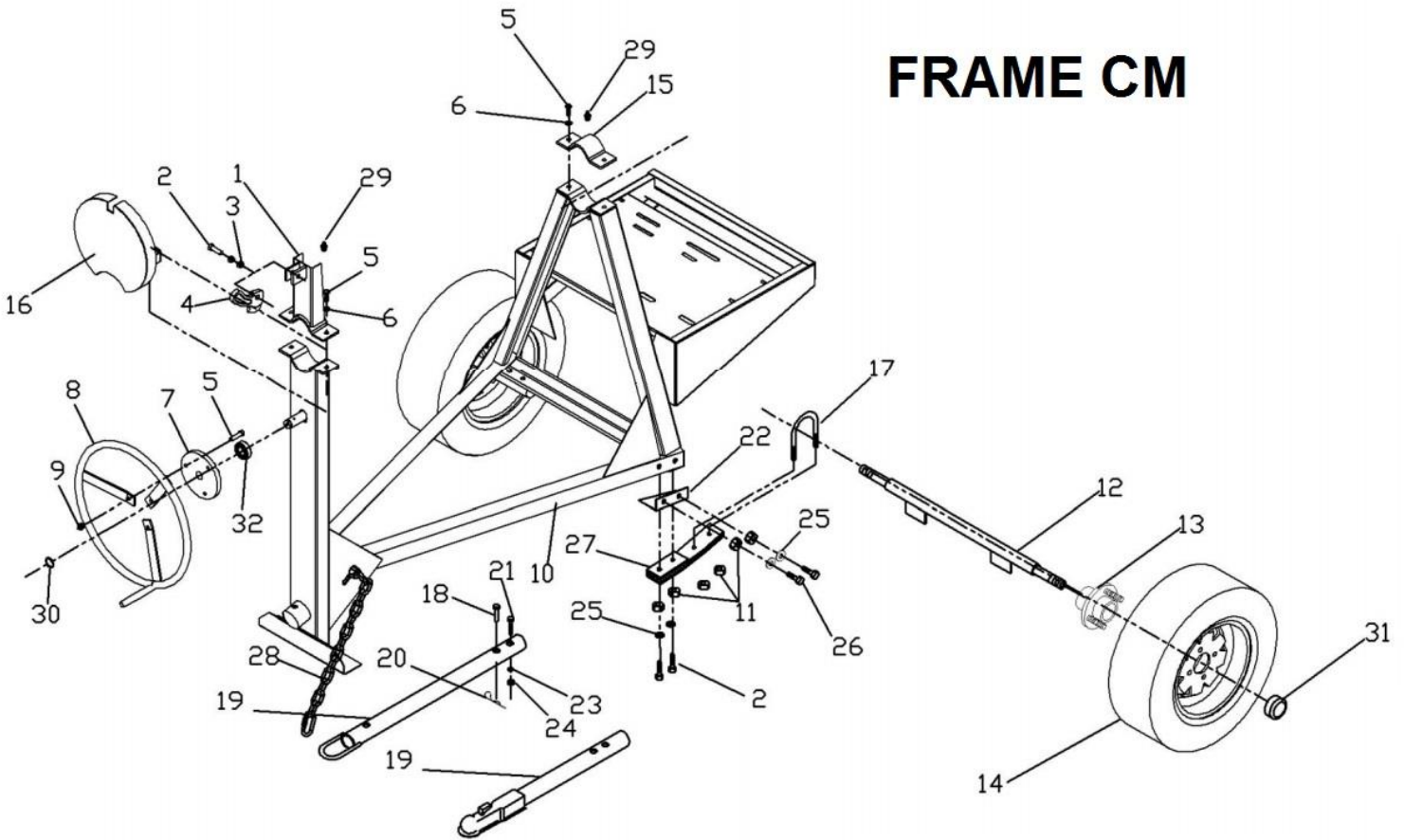


CM7 – CM9 – CM12 PARTS BREAKDOWN



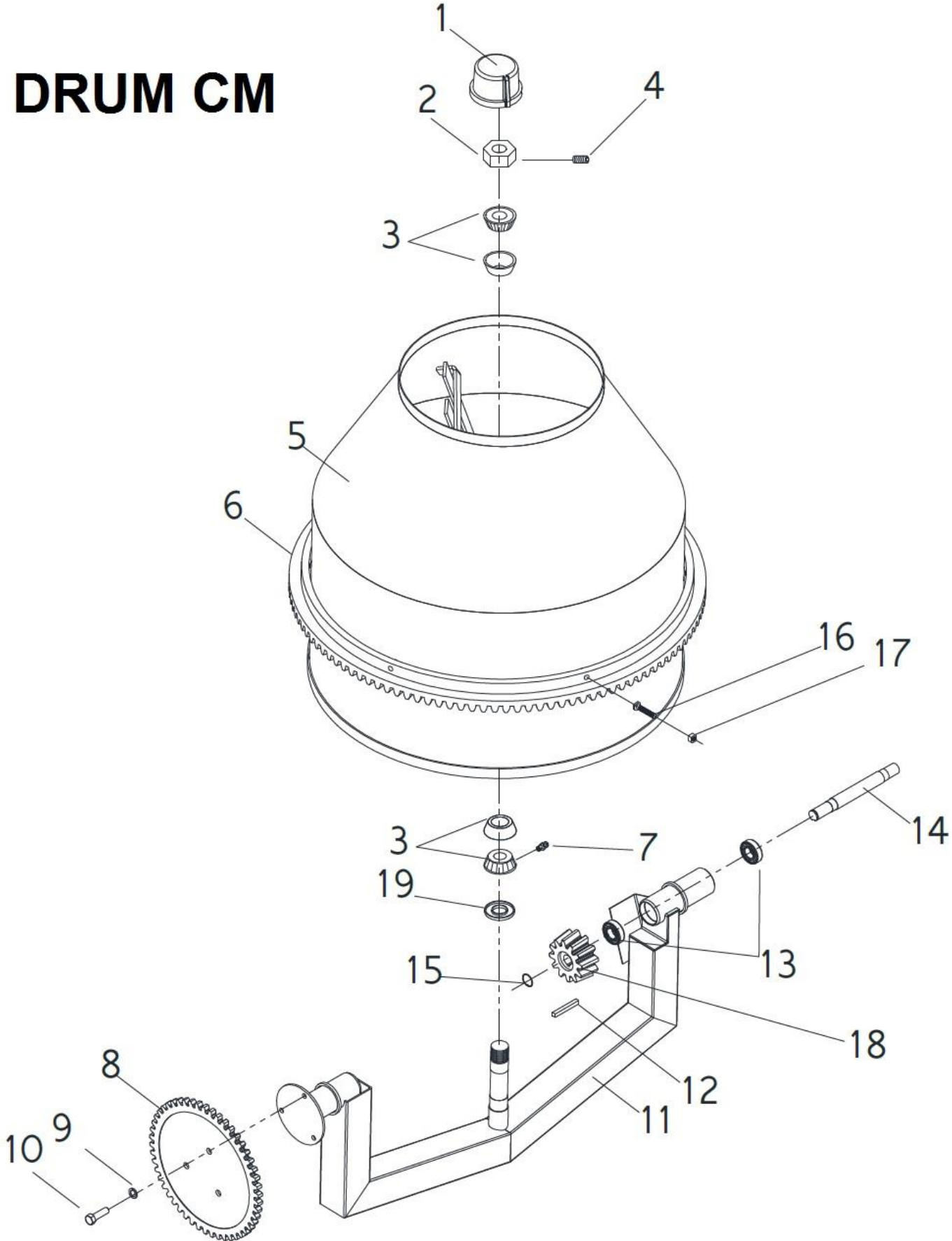
FRAME CM



FRAME ASSEY BREAK DOWN						
ITEM	M.I.D. #	PART #	DESCRIPTION	CM7	CM9	CM12
1	0100SC01FR	C103	STEERING WHEEL BRAKE	1	1	1
2	TOCD012212	C146	HEX BOLT HD 1/2 X 2-1/2" GR5	5	5	5
3	TCCN012GAL	C178	NUT 1/2" NC	2	2	2
4	0100FG01FR	C104	PIN LOCK BREAK	1	1	1
5	TOCD038112	C141	HEX HEAD CAP SCREW 3/8" X 1-1/2"	7	7	7
6	RNRX038GAL	C144	SPRING WASHER 3/8"	4	4	4
7	0103FG01VO-1	C109-1	CONTROL HANDLE BLOCK 5-15/16" E.D. x I.D. 1-1/4" W/6205 BRG FOR ALL CM (NEW STYLE) 0103FG01VO-1	1	1	1
8	0100SC01VO	C110	STEERING WHEEL WITH GRIP FOR CM6P - CM9P/ CM7- CM9	1	1	
8	0103SC01VO	C111	STEERING WHEEL CM12			1
9	TCCS038GAL	C142	HEX HEAD LOCK NUT 3/8"	3	3	3
10	0170CO01CH	C100	A TYPE FRAME CM7 - CM6P - CM9P	1		
10	0173CO01CH	C102	A TYPE FRAME CM9 - CM12		1	1
11	TCCS012GAL	C173	LOCK NUT 1/2"	12	12	12
12	0130SC02RD	C134	STANDARD AXLE	1	1	1
13	0200KI01RD	T129	OLD STYLE HIGH SPEED WEELS AXLE HUBS ASSEY WITH DUST CAP (4 BOLTS)	2	2	2
13	0200KI03RD	T129-1	NEW STYLE HIGH SPEED WEELS AXLE HUBS ASSEY WITH DUST CAP (4 BOLTS)	2	2	2
14	0000LL02RD	T137-12	WHEEL AND TIRE ASSEY 4.8X12" CM7	2		
14	0000LL02RD	T137	WHEEL AND TIRE ASSEY 165-80-R13" CM9 - CM12		2	2
15	0100SO01PD	C105	DRUM YOKE PILLOW BLOCK	1	1	1
16	0170CO01GF	C157	CONTROL HANDLE SAFETY GEAR GUARD	1	1	1
17	0170CO03CH	C167	AXLE BRACKETS U-CLAMP CM7	2	2	2

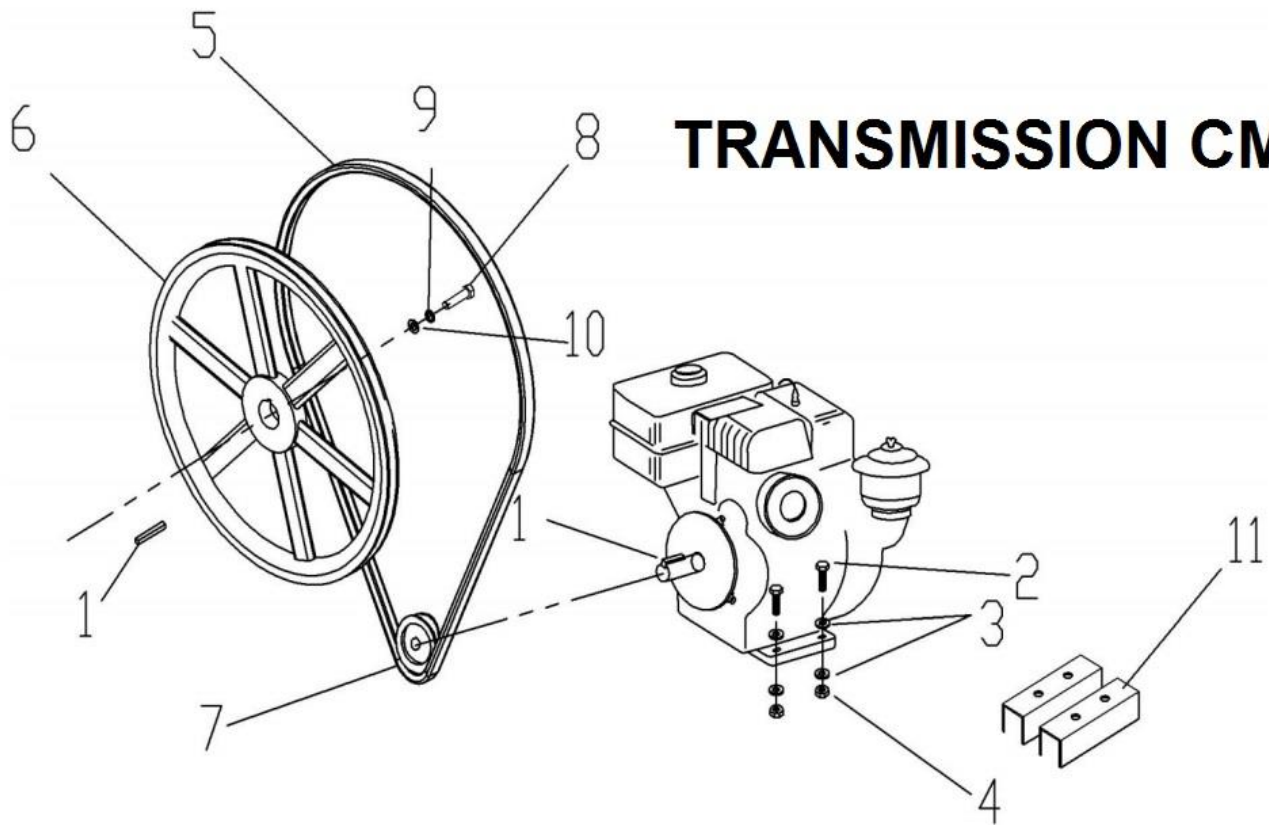
18	0000CR01LZ	T121	TOWING HITCH SAFETY PIN LOCK	1	1	1
19	0000CO04LZ	T119-V	2" BALL HITCH (VERTICAL HOLE)	1	1	1
19	0000CO03LZ	T118-V	PINTLE HITCH (VERTICAL HOLE)	1	1	1
20	SR00036EXT	T110	HAIR LOCK PIN	1	1	1
21	TOFD034312	T122	TOWING HITCH SAFETY HEX HEAD SCREW 3/4" x 3-1/2"	1	1	1
22	0100PL01RD	C133	AXLE BRACKETS SUPPORT	2	2	2
23	RNRX034GAL	T123	TOWING HITCH SAFETY LOCK WASHER 3/4"	1	1	1
24	TCCN034GAL	T124	TOWING HITCH SAFETY HEX HEAD 3/4"	1	1	1
25	RNRX012GAL	C145	SPRING WASHER 1/2"	3	3	3
26	TOCD038112	C141	HEX HEAD CAP SCREW 3/8" X 1-1/2"	4	4	4
27	0000RF01HC	C165	AXLE SOFT TENDERS (SPRINGS) CM9 - CM12	OPT	2	2
28	CA03316GAL	T501	5/16" SAFETY CHAIN	1	1	1
29	0000GRH200	C155	FITTING GREASE 1/8"	2	2	2
30	SM00078EXT	C151	RETAINING OMEGA RING 1" 15/16"	1	1	1
31	0000RF06RD	T136	HIGH SPEED WHEELS HUB DUST CAP	2	2	2
32	0000BA6205	C154	TRANSMISSION PINNION BEARING 6205	1	1	1

DRUM CM



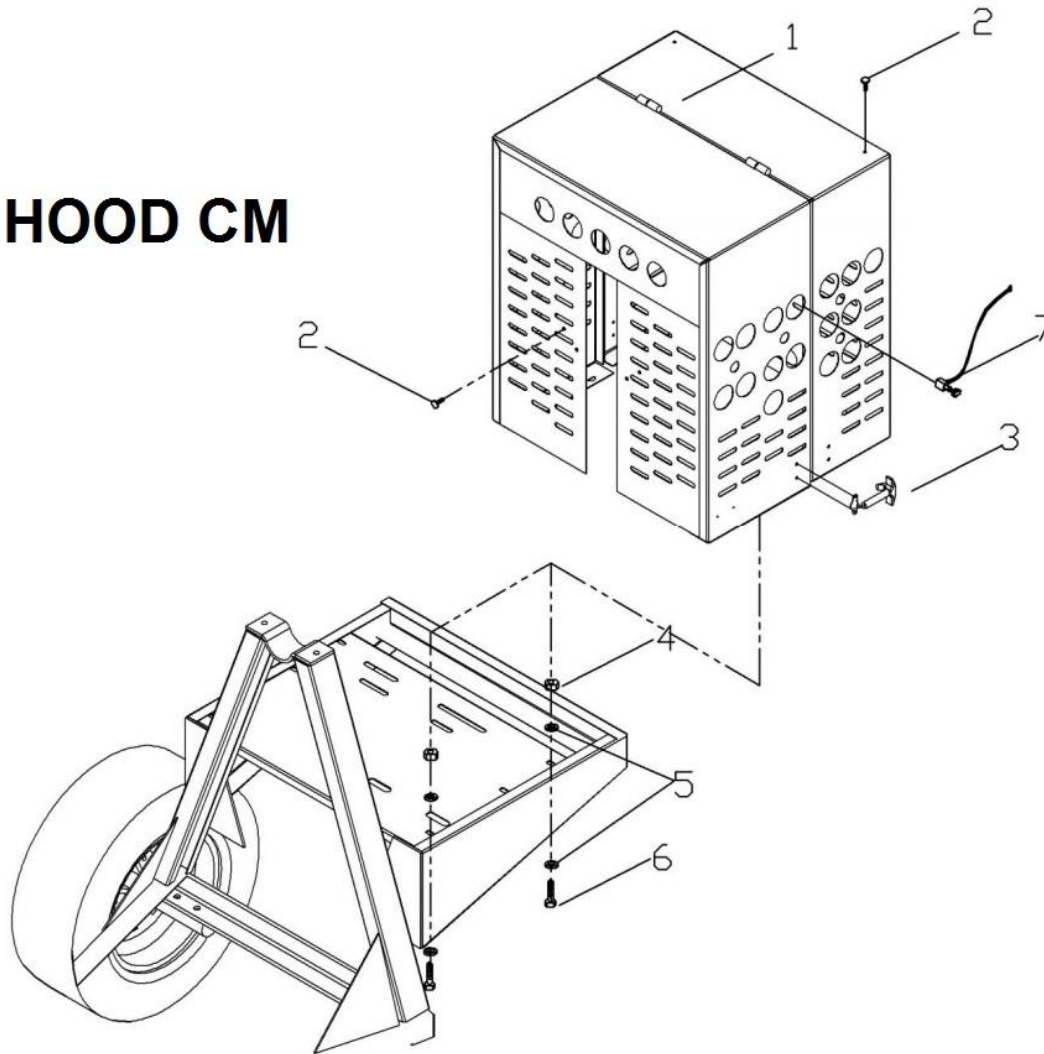
DRUM ASSEY BREAK DOWN						
ITEM	M.I.D. #	PART #	DESCRIPTION	CM7	CM9	CM12
1	0100FG01TQ	C118	MAIN SHAFT DRUM DUST CAP	1	1	1
2	TCCN138MAQ	C117	MAIN SHAFT HEX NUT 1-3/8"	1	1	1
3	0000BA104949	C171	BALL BEARING 104949 CM12 (NEW STYLE)	2	2	2
*	0000BA2788	C150	CONE/CUP DRIVE BEARING 2788 (OLD STYLE)	1	1	
*	0000BA2788/20	C150/20	CUP MAIN SHAFT BEARING 2788/20	1	1	
4	OPCR038012	C116	ALLEN SCREW FOR MAIN SHAFT HEX NUT 3/8" X 3/8"	1	1	1
5	0171CO01TQ	C119	DRUM CM7 WELDED PADDLES ONLY	1		
5		C119-1	CM7 COMPLETE DRUM (YOKE, SHAFTS, BEARING & RING)	1		
5	0172CO01TQ	C120	DRUM CM9 WITH WELDED PADDLES ONLY		1	
5		C120-1	CM9 COMPLETE DRUM (YOKE, SHAFTS, BEARING & RING)		1	
5	0173CO01TQ	C121	DRUM CM12 WELDED PADDLES ONLY			1
5		C121-1	CM12 COMPLETE DRUM (YOKE, SHAFTS, BEARING & RING)			1
6	0100FG02TQ	C122	DRUM RING GEAR 115TH (CM7, CM9, CM9P, CM12)	1	1	1
7	0000GRH200	C155	FITTING GREASE 1/8"	1	1	1
8	0100FG01YU	C107	CONTROL HANDLE GEAR (STEERING WHEEL GEAR)	1	1	
8	0100FN01YU	C107-1	STEERING WHEEL GEAR (DUCTILE CASTING) FOR CM12			1
9	RNRX012GAL	C145	SPRING WASHER 1/2"	3	3	3
10	TOCD012034	C149	STEERING WHEEL CONTROL HANDLE BLOCK HEX BOLT HD 1/2" X 3/4"	3	3	3
11	0100CO01YU	C112	DRUM YOKE CM7 - CM9	1	1	
11	0103CO01YU	C113	DRUM YOKE CM12			1
12	0000CU01TR	T483	TRANSMISSION KEY 1/4 x 1-1/4"	1	1	1
13	0000BA6205	C154	TRANSMISSION PINNION BEARING 6205	2	2	2
14	0100CR02YU	C124	TRANSMISSION PINNION SHAFT	1	1	1
15	SM00078EXT	C151	RETAINING OMEGA RING 1" 15/16"	2	2	1
16	TOCD038112	C141	HEX HEAD CAP SCREW 3/8" X 1-1/2"	9	9	9
17	TCCS038GAL	C142	HEX HEAD LOCK NUT 3/8"	19	19	19
18	0100FG02YU	C123	TRANSMISSION PINION 12 TH (NEW CM)	1	1	1
18	0900FG02YU		PINION 14 TOOTH (FOR DOUBLE BELT CM)	1	1	1
*19	0100LA03TQ	C114	DRUM BOTTOM DRIVE SHAFT <u>PLATE</u> C6-C9/CM7-CM9 (OLD STYLE)	1	1	
*19	0103LA03TQ	C115	DRUM BOTTOM DRIVE SHAFT <u>PLATE</u> CM12 (OLD STYLE)	1	1	1
19	0100RF01TQ	C532	DRUM BOTTOM DRIVE SHAFT <u>OIL SEAL</u> TC 38 80 8 (NEW STYLE)	1	1	1

TRANSMISSION CM



TRANSM ASSEY								
ITEM	M.I.D. #	PART #	DESCRIPTION	CM6P	CM9P	CM7	CM9	CM12
*	202002M	202002M	HONDA ENGINE GX160	1		1	1	
*	202008M	202008M	HONDA ENGINE GX240	1	1	1	1	
*	202012M	202012M	HONDA ENGINE GX390					1
*	202246M	202246M	MOTOR YANMAR 6.4HP	1	1	1	1	1
*	202247M	202247M	MOTOR YANMAR 9.9HP		1		1	1
1	0170CC01MO	C152	KEY, 1/4" X 1-1/2" FOR 5HP ENGINE	1		1		
1	0200CU03TR	C514	KEY, 3/16" X 1-1/2" FOR 8-13HP ENGINE		1		1	1
2	TOCD038200	C158	BOLT HEXHD, 3/8" X 2" FOR HONDA ENGINES	4	4	4	4	4
2	TOCD038100	C138	BOLT HEXHD, 3/8" X 1" FOR ELECTRIC MOTORS	4	4	4	4	4
3	RNPX038GAL	C139	PLAIN WASHER 3/8"	8	8	8	8	8
4	TCCS038GAL	C142	HEX HEAD LOCK NUT 3/8"	4	4	4	4	4
5	0000BNB64	C129	PULLEY DRIVE BELT B64 FOR GAS ENGINE	1	1	1	1	1
5	0000BNB68	C194	PULLEY DRIVE BELT B68 FOR ELECTRIC MOTOR	1	1	1	1	1
6	POFG190516TK	C125	1 GROOVE TRANSMISSION PULLEY 19"	1	1	1	1	1
7	POFG212034	C126	ENGINE PULLEY 2 1/2" CAL 3/4 (5 HP ENGINE)	1		1		
7	POFG212100	C127	ENGINE PULLEY 2-1/2" CAL 1" (8 HP -13 HP ENGINE)	1	1	1	1	1
7	POFG212058	C185	ENGINE PULLEY 2-1/2" CAL 5/8" KEY 3/16" (.5 HP - 1.5 HP MOTOR)	1		1		
7	POFG212078	C186	ENGINE PULLEY 2-1/2" CAL 7/8" KEY 3/16"(2 HP MOTOR)	1	1	1	1	1
7	POFG212118	C187	ENGINE PULLEY 2-1/2" CAL 1 1/8" KEY 1/4" (3 HP - 5HP MOTOR)		1		1	1
8	TOCD038100	C138	TRANSMISSION PULLEY HEX BOLT HD 3/8" X 1"	1	1	1	1	1
9	RNPX038GAL	C139	PLAIN WASHER 3/8"	1	1	1	1	1
10	0170LA01TR	C140	TRANSMISSION PULLEY WASHER 3/8"			1	1	1
11	0201PL01MO	T165	5.5 HP GAS ENGINE BRACKET SUPPORT	1		1		

HOOD CM



HOOD ASSEY BREAK

ITEM	M.I.D. #	PART #	DESCRIPTION	CM6P	CM9P	CM7	CM9	CM12
1	0110CO01GA	C131	SQUARE SHROUD ASSEY COMPLETE	1	1	1	1	1
1	0100CO01GS	C132	SQUARE SHROUD ASSEY COMPLETE (FROM #SERE 23004-343799)	1	1	1	1	1
2	0000RF01GA	T158	SHROUD RUBBER SCREW 1/4"	2	2	2	2	2
3	0000RF02GA	T160	SHROUD SPRING LOADED HOOK ASSEMBLY	2	2	2	2	2
4	TCCS038GAL	C142	HEX HEAD LOCK NUT 3/8"	4	4	4	4	4
5	RNPX038GAL	C139	PLAIN WASHER 3/8"	8	8	8	8	8
6	TOCD038112	C141	HEX HEAD CAP SCREW 3/8" X 1-1/2"	4	4	4	4	4
7	0200KI01GA	T193	SHROUD ASSEMBLY PUSH STOP WITH ENGINE HARNESS	1	1	1	1	1
7	816769AS NO	T195-1	ENGINE KILL SWITCH (NO HARNESS) - 816769AS RED	1	1	1	1	1
7	0000RF04GA	T195	ENGINE KILL SWITCH (NO HARNESS) BLACK	1	1	1	1	1

Octavio Chavez

North America Sales Manager

manager@tkequip.com

www.tkequip.com



Phone Line: (956) 796-9411

Fax: (956) 462-2500

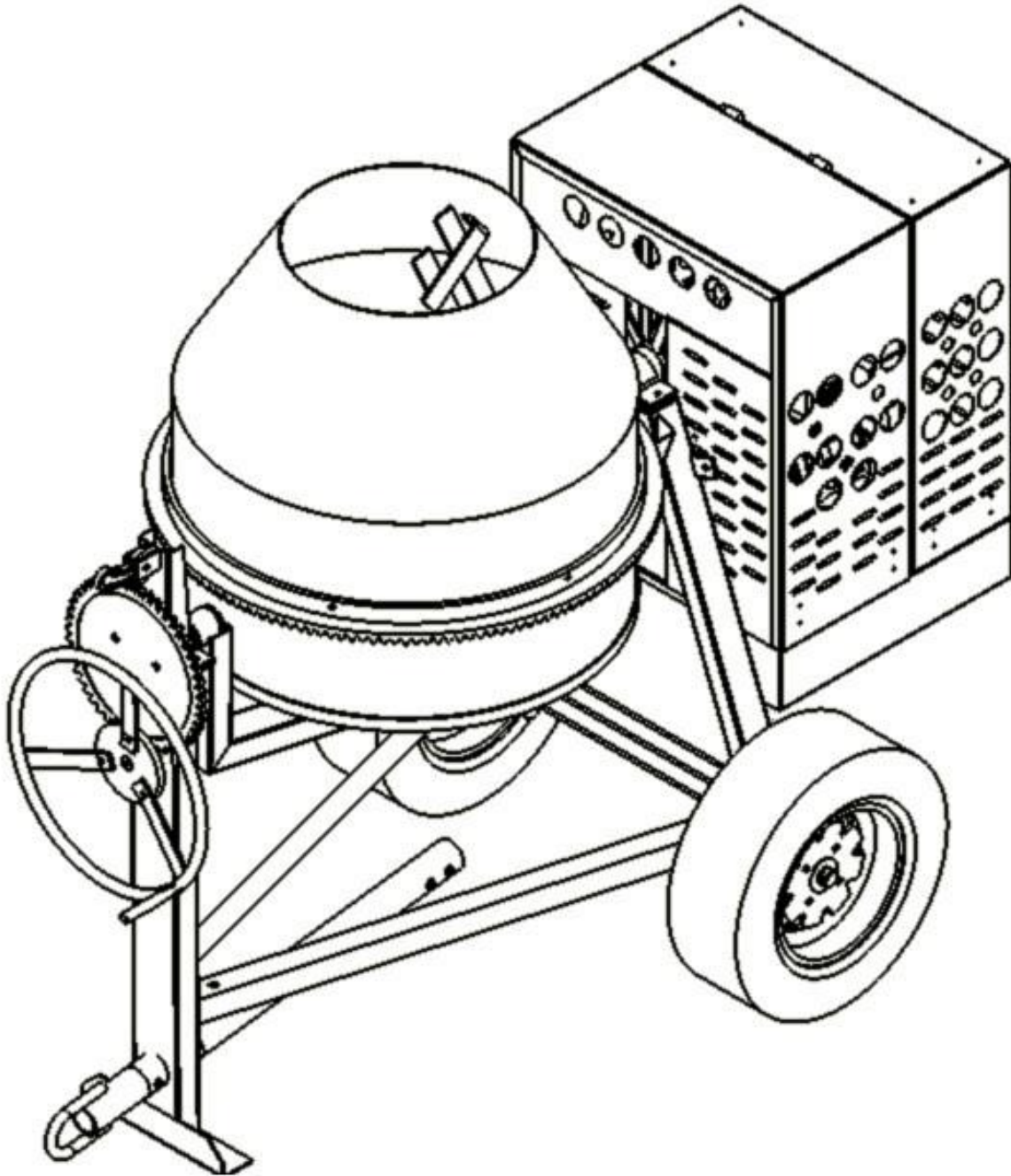
Jaime Ortiz

Parts & Customer Service

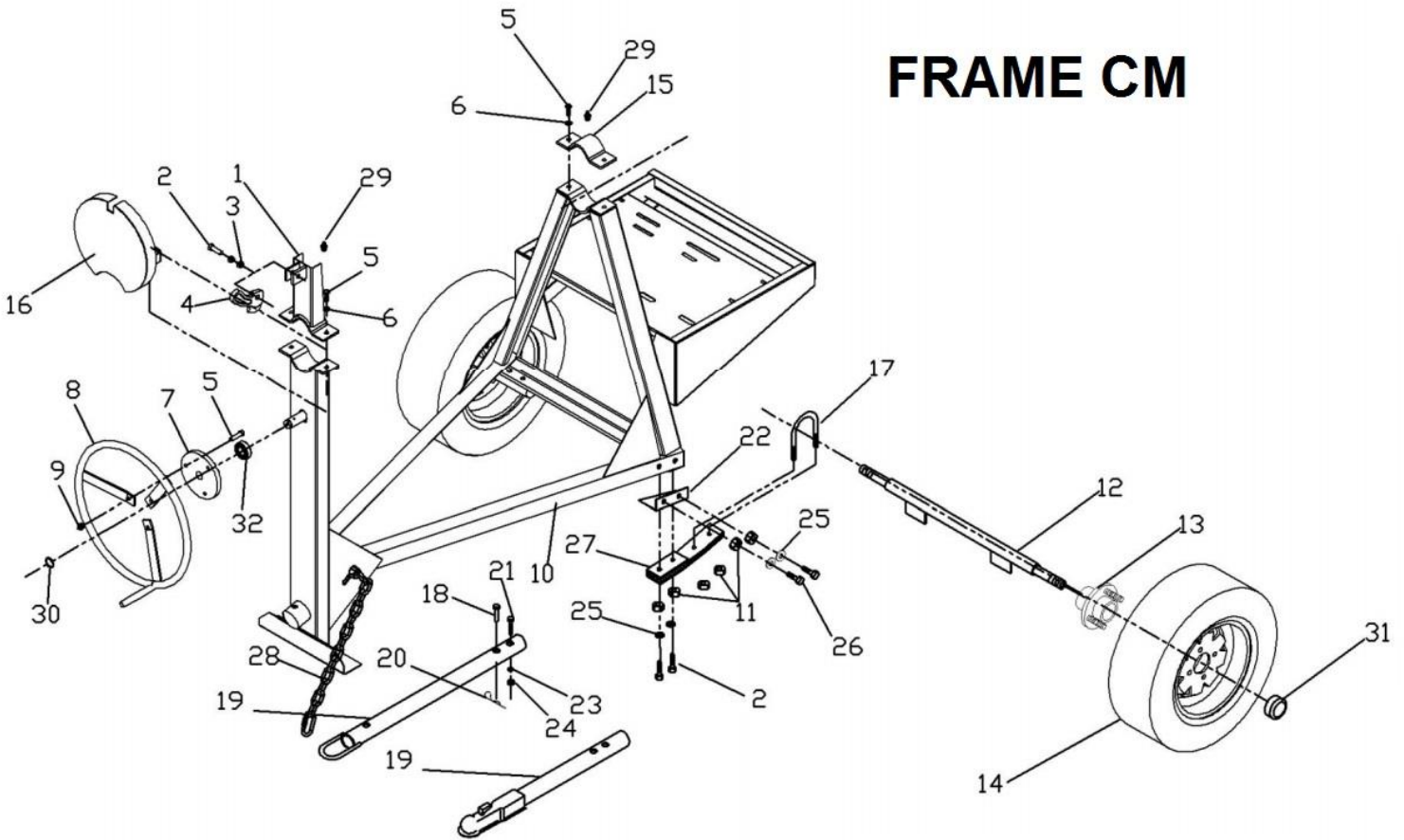
parts@btmequipment.com

service@btmequipment.com

CM6P – CM9P PARTS BREAKDOWN

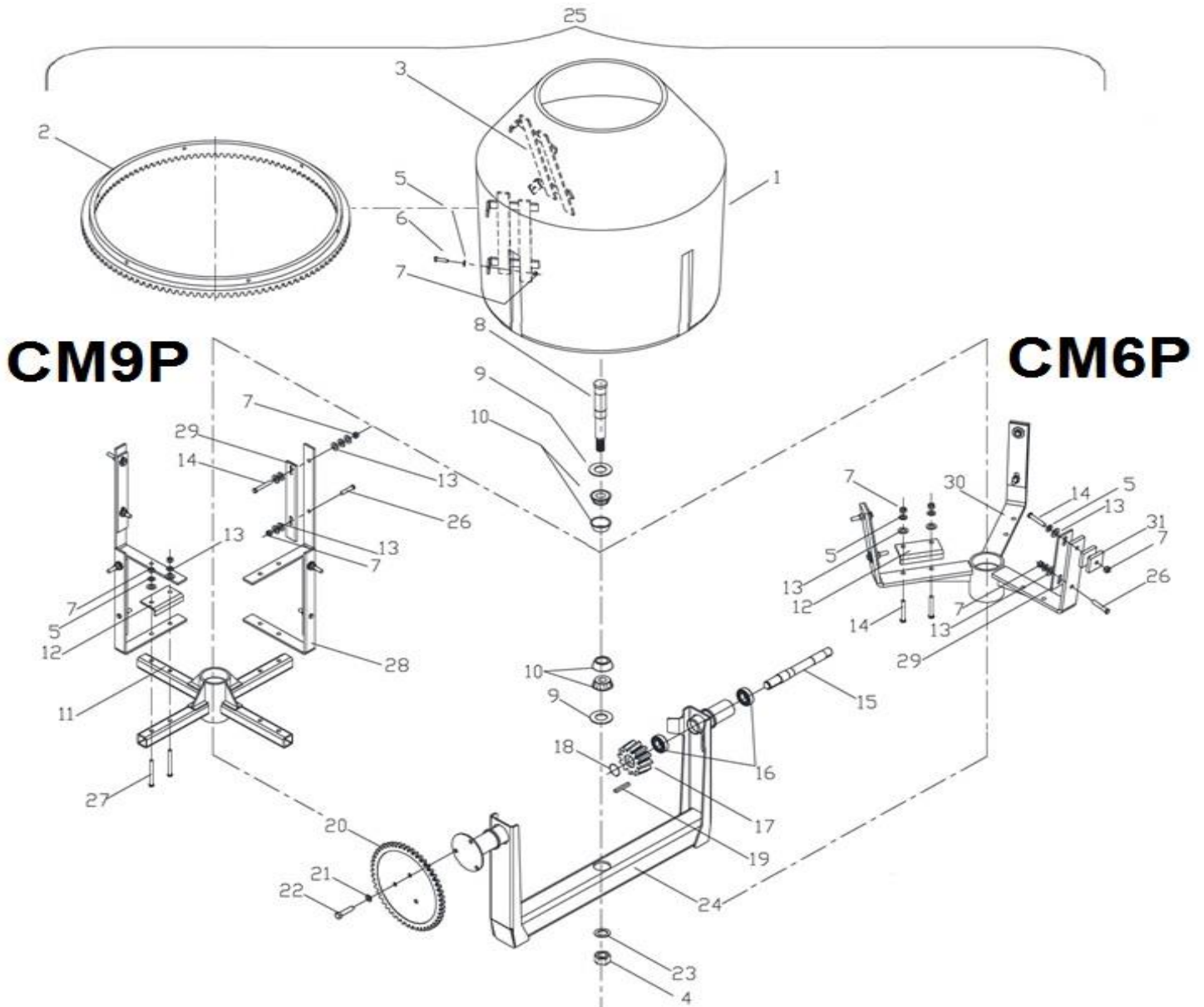


FRAME CM



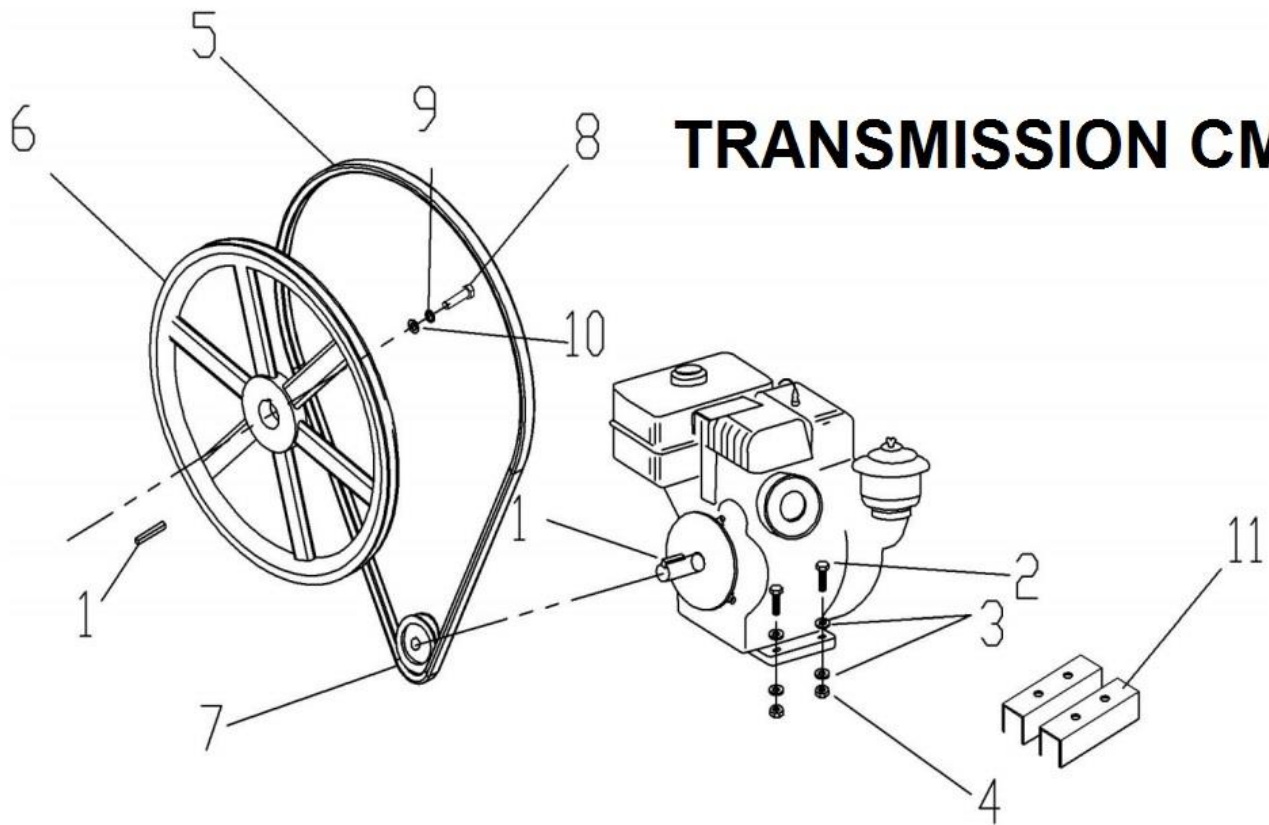
FRAME ASSEY BREAK DOWN					
ITEM	M.I.D. #	PART #	DESCRIPTION	CM6P	CM9P
1	0100SC01FR	C103	STEERING WHEEL BRAKE	1	1
2	TOCD012212	C146	HEX BOLT HD 1/2 X 2-1/2" GR5	5	5
3	TCCN012GAL	C178	NUT 1/2" NC	2	2
4	0100FG01FR	C104	PIN LOCK BREAK	1	1
5	TOCD038112	C141	HEX HEAD CAP SCREW 3/8" X 1-1/2"	7	7
6	RNRX038GAL	C144	SPRING WASHER 3/8"	4	4
7	0100FG01VO	C108	CONTROL HANDLE BLOCK 1" CM6P - CM9P	1	1
8	0100SC01VO	C110	STEERING WHEEL WITH GRIP FOR CM6P - CM9P/ CM7- CM9	1	1
9	TCCS038GAL	C142	HEX HEAD LOCK NUT 3/8"	3	3
10	0170CO01CH	C100	A TYPE FRAME CM7 - CM6P - CM9P	1	1
11	TCCS012GAL	C173	LOCK NUT 1/2"	12	12
12	0130SC02RD	C134	STANDARD AXLE	1	1
13	0200KI01RD	T129	OLD STYLE HIGH SPEED WEELS AXLE HUBS ASSEY WITH DUST CAP (4 BOLTS)	2	2
13	0200KI03RD	T129-1	NEW STYLE HIGH SPEED WEELS AXLE HUBS ASSEY WITH DUST CAP (4 BOLTS)	2	2
14	0000LL02RD	T137-12	WHEEL AND TIRE ASSEY 4.8X12" CM6P	2	
14	0000LL02RD	T137	WHEEL AND TIRE ASSEY 165-80-R13" CM9P		2
15	0100SO01PD	C105	DRUM YOKE PILLOW BLOCK	1	1
16	0170CO01GF	C157	CONTROL HANDLE SAFETY GEAR GUARD	1	1
17	0170CO03CH	C167	AXLE BRACKETS U-CLAMP CM7	2	2
18	0000CR01LZ	T121	TOWING HITCH SAFETY PIN LOCK	1	1

19	0000CO04LZ	T119-V	2" BALL HITCH (VERTICAL HOLE)	1	1
19	0000CO03LZ	T118-V	PINTLE HITCH (VERTICAL HOLE)	1	1
20	SR00036EXT	T110	HAIR LOCK PIN	1	1
21	TOFD034312	T122	TOWING HITCH SAFETY HEX HEAD SCREW 3/4" x 3-1/2"	1	1
22	0100PL01RD	C133	AXLE BRACKETS SUPPORT	2	2
23	RNRX034GAL	T123	TOWING HITCH SAFETY LOCK WASHER 3/4"	1	1
24	TCCN034GAL	T124	TOWING HITCH SAFETY HEX HEAD 3/4"	1	1
25	RNRX012GAL	C145	SPRING WASHER 1/2"	3	3
26	TOCD038112	C141	HEX HEAD CAP SCREW 3/8" X 1-1/2"	4	4
27	0000RF01HC	C165	AXLE SOFT TENDERS (SPRINGS) CM9 - CM12	OPT	2
28	CA03316GAL	T501	5/16" SAFETY CHAIN	1	1
29	0000GRH200	C155	FITTING GREASE 1/8"	2	2
30	SM00078EXT	C151	RETAINING OMEGA RING 1" 15/16"	1	1
31	0000RF06RD	T136	HIGH SPEED WHEELS HUB DUST CAP	2	2
32	0000BA6205	C154	TRANSMISSION PINNION BEARING 6205	1	1



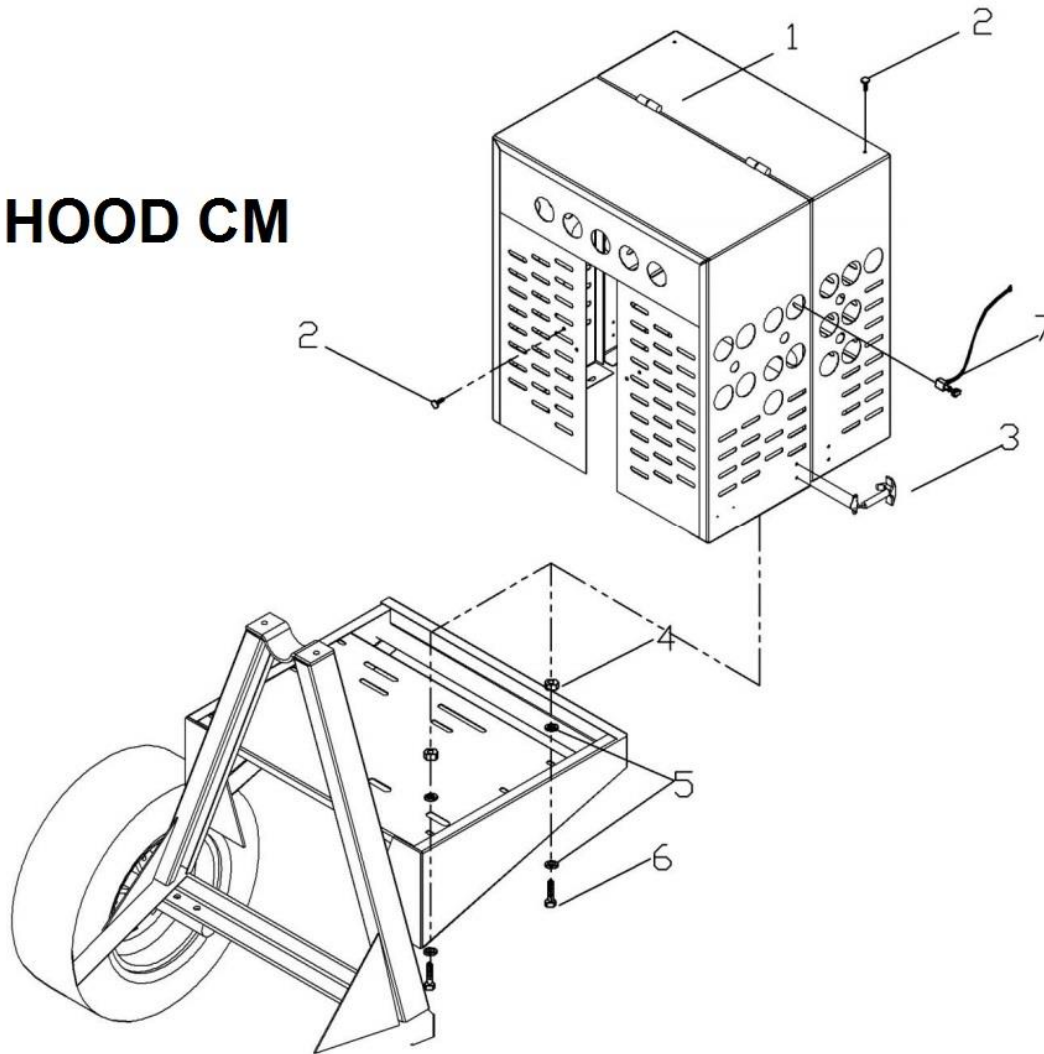
DRUM ASSEY BREAK DOWN CMP					
ITEM	M.I.D. #	PART #	DESCRIPTION	CM6P	CM9P
1	0903CO01TQ	C503	DRUM CM6P PADDLES INCLUDED	1	
1	0906CO01TQ	C504	DRUM CM9P PADDLES INCLUDED		1
2	0210FG01TQ	C506	DRUM RING GEAR CM6P	1	
2	0100FG02TQ	C122	DRUM RING GEAR 115TH (CM7, CM9, CM9P, CM12)		1
3	0100SC01AS	C505	CM6P, CM9P PADDLE	3	6
4	TCFN038ESP	C512	HEX NUT, 1" UNF	1	1
5	RNPX038GAL	C139	PLAIN WASHER 3/8"	24	20
6	TOCD038112	C141	HEX HEAD CAP SCREW 3/8" X 1-1/2"	6	12
7	TCCS038GAL	C142	HEX HEAD LOCK NUT 3/8"	18	28
8	0903CR01YU	C516	SHAFT, BOWL C6P	1	
8	0906CR01YU	C517	SHAFT, BOWL C9P		1
9	0100RF01TQ	C532	DRUM BOTTOM DRIVE SHAFT OIL SEAL TC 38 80 8 (NEW STYLE)	1	1
10	0000BA104949	C171	BALL BEARING 104949 CM12 (NEW STYLE)	2	2
10*	0000BA2788	C150	CONE/CUP DRIVE BEARING 2788 (OLD STYLE)	2	2
11	0111CO01TQ	C508	BASE DRUM SUPPORT CM9P (YOKE)		1
12	0100PL03AD	C525	CLAMP DRUM SUPPORT	3	4
13	RNPX012GAL	C147	PLAIN WASHER 1/2"	12	36
14	TOCD038212	C526	BOLT, HEXHD, 3/8" X 2-1/2"	9	4
15	0100CR02YU	C124	TRANSMISSION PINNION SHAFT	1	1
16	0000BA6205	C154	TRANSMISSION PINNION BEARING 6205	2	2
17	0100FG02YU	C123	TRANSMISSION PINION 12 TH (NEW CM)	1	1
17	0900FG02YU		PINION 14 TOOTH (FOR DOUBLE BELT CM)	1	1
18	SM00156EXT	C151	RETAINING RING 15/16"	1	1
19	0000CU01TR	C152	KEY, 1/4" X 1-1/2"	1	1
20	0100FG01YU	C107	CONTROL HANDLE GEAR (STEERING WHEEL GEAR)	1	1
21	RNRX012GAL	C145	SPRING WASHER 1/2"	3	3
22	TOCD012034	C149	STEERING WHEEL CONTROL HANDLE BLOCK HEX BOLT HD 1/2" X 3/4"	3	3
23	RNRX100GAL	C511	WASHER SPRING, 1"	1	1
24	0110CO01YU	C519	YOKE CM6P	1	
24	0111CO01YU	C520	YOKE CM9P		1
25	0110CO01EF	C521	DRUM C6P ASSEY (DRUM, PADDLES, YOKE, RING)	1	
25	0111CO01EF	C522	DRUM CM9P ASSEY (DRUM, PADDLE YOKE, RING)		1
26	TOCD038134	C527	BOLT, HEXHD, 3/8" X 1-3/4"	3	4
27	TOCD038312	C528	BOLT, HEXHD, 3/8" X 3-1/2"		8
28	0100SO02AD	C529	BRACKET SUPPORT ARM CM9P		4
29	0110SO01AD	C531	BRACKET SUPPORT INNER CM6P	3	
30	0110CO01TQ	C507	DRUM SUPPORT REINFORCED CM6P	1	
31	0110PL01TQ	C510	DRUM SUPPORT REINFORCED	6	6

TRANSMISSION CM



TRANSM ASSEY								
ITEM	M.I.D. #	PART #	DESCRIPTION	CM6P	CM9P	CM7	CM9	CM12
*	202002M	202002M	HONDA ENGINE GX160	1		1	1	
*	202008M	202008M	HONDA ENGINE GX240	1	1	1	1	
*	202012M	202012M	HONDA ENGINE GX390					1
*	202246M	202246M	MOTOR YANMAR 6.4HP	1	1	1	1	1
*	202247M	202247M	MOTOR YANMAR 9.9HP		1		1	1
1	0170CC01MO	C152	KEY, 1/4" X 1-1/2" FOR 5HP ENGINE	1		1		
1	0200CU03TR	C514	KEY, 3/16" X 1-1/2" FOR 8-13HP ENGINE		1		1	1
2	TOCD038200	C158	BOLT HEXHD, 3/8" X 2" FOR HONDA ENGINES	4	4	4	4	4
2	TOCD038100	C138	BOLT HEXHD, 3/8" X 1" FOR ELECTRIC MOTORS	4	4	4	4	4
3	RNPX038GAL	C139	PLAIN WASHER 3/8"	8	8	8	8	8
4	TCCS038GAL	C142	HEX HEAD LOCK NUT 3/8"	4	4	4	4	4
5	0000BNB64	C129	PULLEY DRIVE BELT B64 FOR GAS ENGINE	1	1	1	1	1
5	0000BNB68	C194	PULLEY DRIVE BELT B68 FOR ELECTRIC MOTOR	1	1	1	1	1
6	POFG190516TK	C125	1 GROOVE TRANSMISSION PULLEY 19"	1	1	1	1	1
7	POFG212034	C126	ENGINE PULLEY 2 1/2" CAL 3/4 (5 HP ENGINE)	1		1		
7	POFG212100	C127	ENGINE PULLEY 2-1/2" CAL 1" (8 HP -13 HP ENGINE)	1	1	1	1	1
7	POFG212058	C185	ENGINE PULLEY 2-1/2" CAL 5/8" KEY 3/16" (.5 HP - 1.5 HP MOTOR)	1		1		
7	POFG212078	C186	ENGINE PULLEY 2-1/2" CAL 7/8" KEY 3/16"(2 HP MOTOR)	1	1	1	1	1
7	POFG212118	C187	ENGINE PULLEY 2-1/2" CAL 1 1/8" KEY 1/4" (3 HP - 5HP MOTOR)		1		1	1
8	TOCD038100	C138	TRANSMISSION PULLEY HEX BOLT HD 3/8" X 1"	1	1	1	1	1
9	RNPX038GAL	C139	PLAIN WASHER 3/8"	1	1	1	1	1
10	0170LA01TR	C140	TRANSMISSION PULLEY WASHER 3/8"			1	1	1
11	0201PL01MO	T165	5.5 HP GAS ENGINE BRACKET SUPPORT	1		1		

HOOD CM



HOOD ASSEY BREAK								
ITEM	M.I.D. #	PART #	DESCRIPTION	CM6P	CM9P	CM7	CM9	CM12
1	0110CO01GA	C131	SQUARE SHROUD ASSEY COMPLETE	1	1	1	1	1
1	0100CO01GS	C132	SQUARE SHROUD ASSEY COMPLETE (FROM #SERE 23004-343799)	1	1	1	1	1
2	0000RF01GA	T158	SHROUD RUBBER SCREW 1/4"	2	2	2	2	2
3	0000RF02GA	T160	SHROUD SPRING LOADED HOOK ASSEMBLY	2	2	2	2	2
4	TCCS038GAL	C142	HEX HEAD LOCK NUT 3/8"	4	4	4	4	4
5	RNPX038GAL	C139	PLAIN WASHER 3/8"	8	8	8	8	8
6	TOCD038112	C141	HEX HEAD CAP SCREW 3/8" X 1-1/2"	4	4	4	4	4
7	0200KI01GA	T193	SHROUD ASSEMBLY PUSH STOP WITH ENGINE HARNESS	1	1	1	1	1
7	816769AS NO	T195-1	ENGINE KILL SWITCH (NO HARNESS) - 816769AS RED	1	1	1	1	1
7	0000RF04GA	T195	ENGINE KILL SWITCH (NO HARNESS) BLACK	1	1	1	1	1

Octavio Chavez

North America Sales Manager

manager@tkequip.com

www.tkequip.com



Phone Line: (956) 796-9411

Fax: (956) 462-2500

Jaime Ortiz

Parts & Customer Service

parts@btmequipment.com

service@btmequipment.com