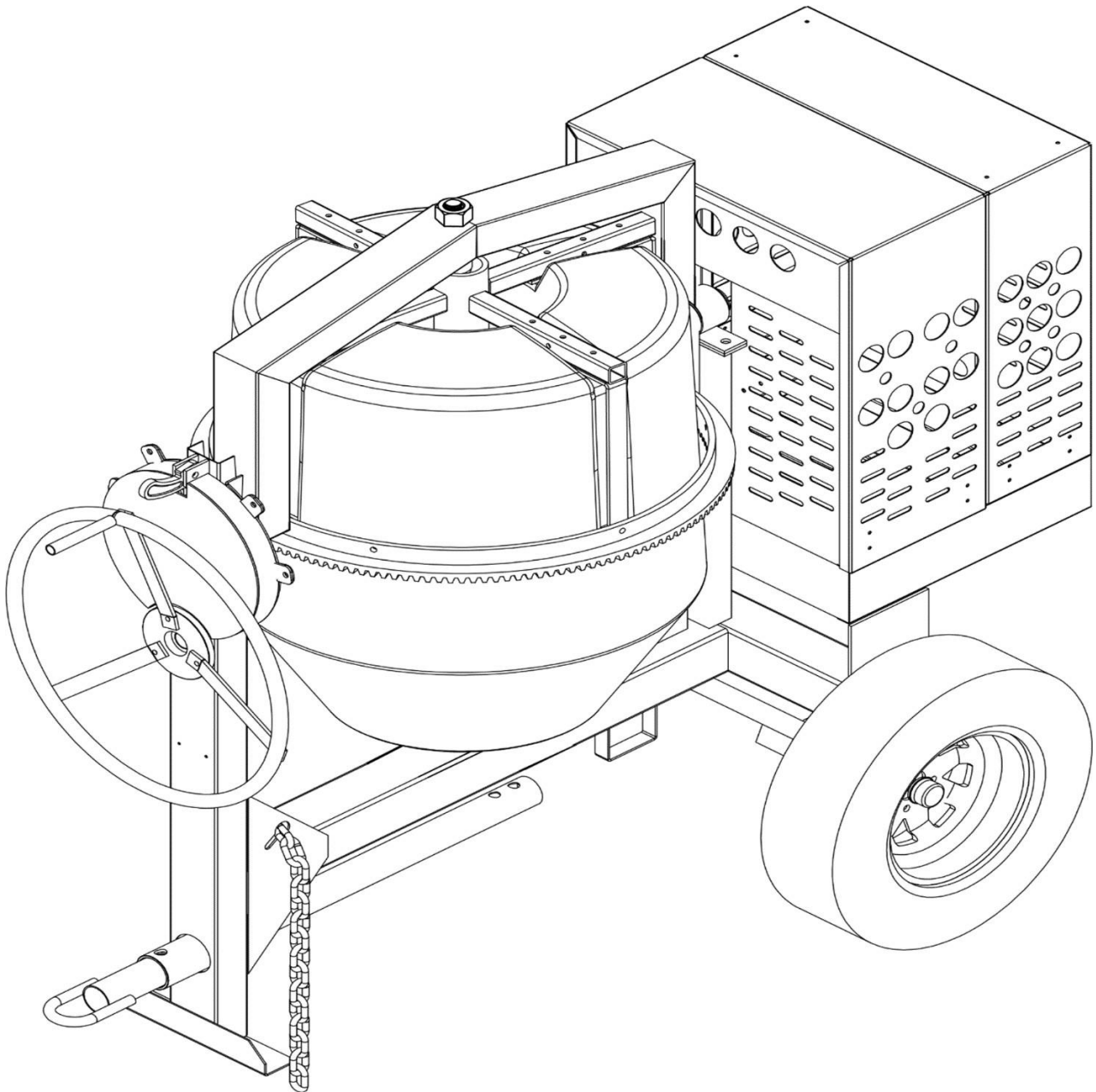
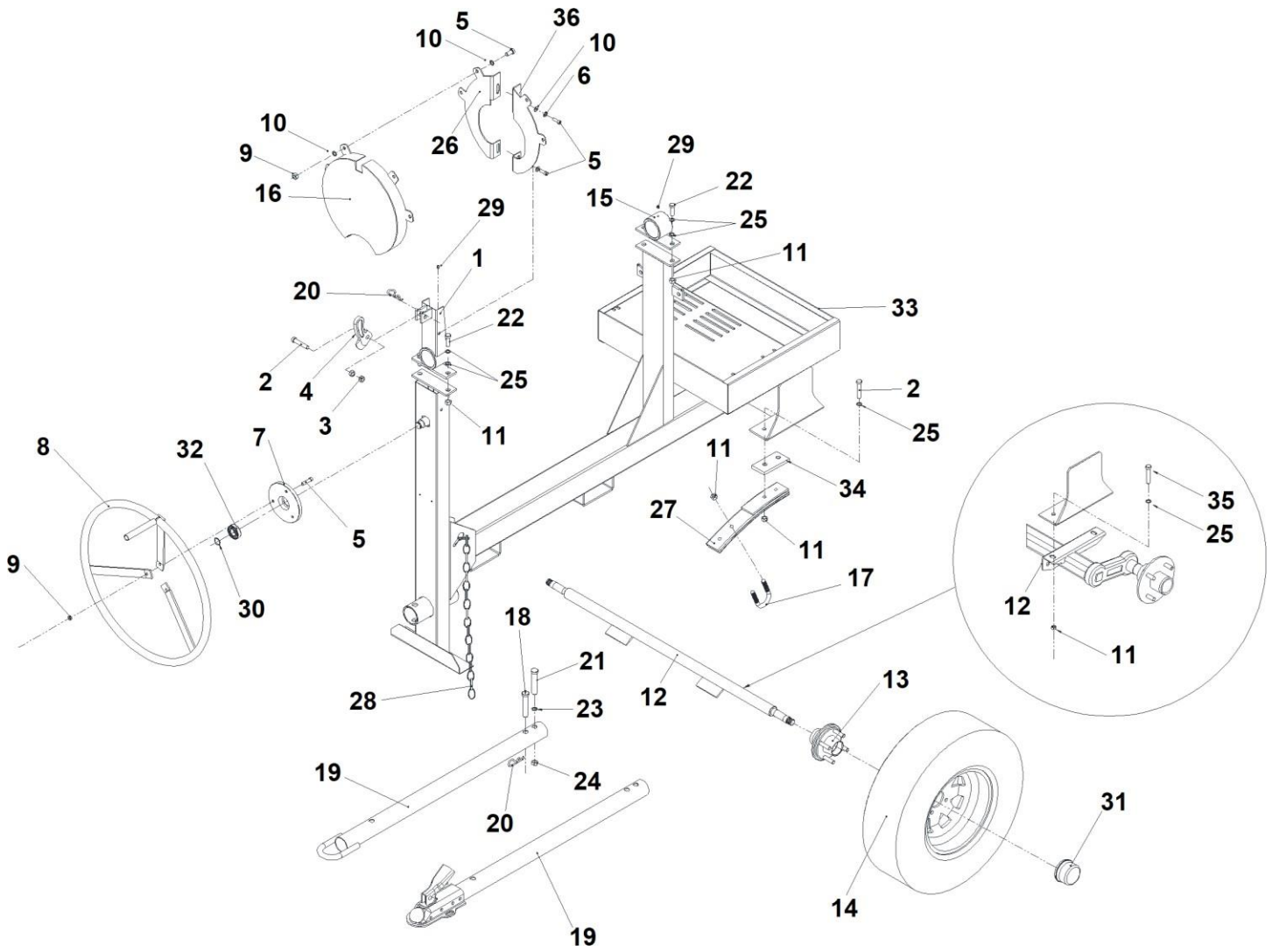


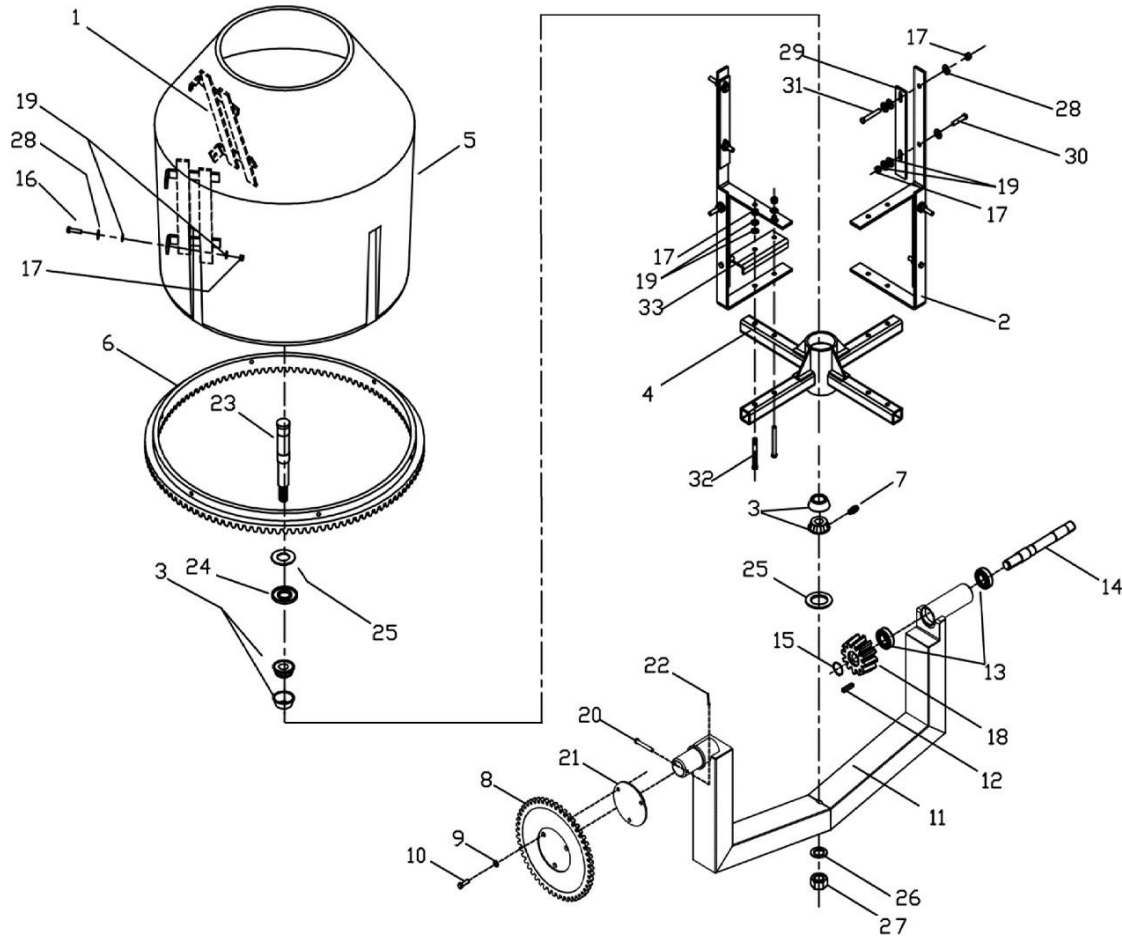
# CM9P POLY DRUM (T-FRAME) PARTS BREAKDOWN





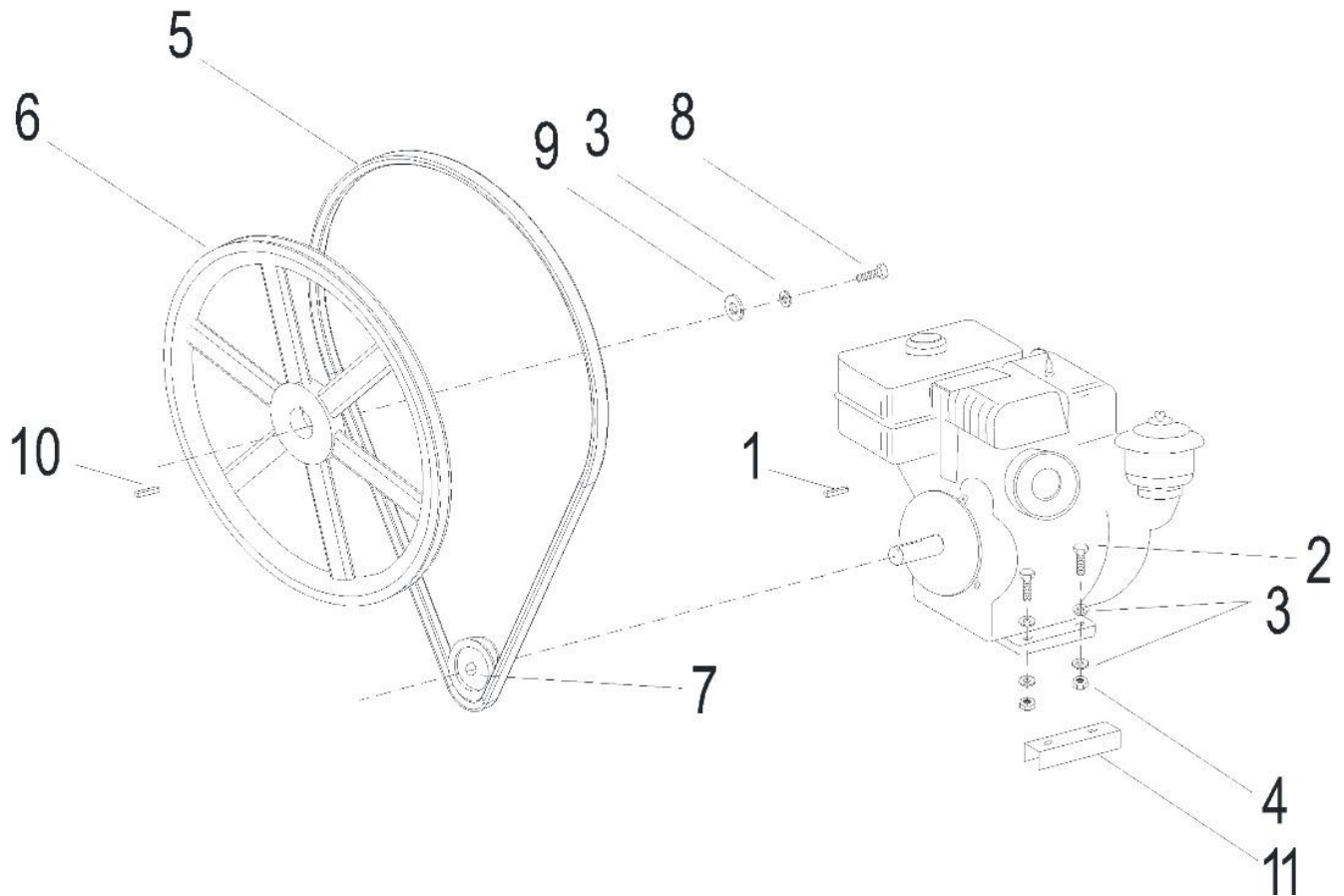
FRAME ASSEY BREAK DOWN					
ITEM	SKU #	PART #	DESCRIPTION	CM9P	PRICE LIST
1	0113SC01FR	C103-T	STEERING WHEEL BRAKE CM (T-FRAME) - C103T - 702200	1	\$50.00
2	TOCD012212	C146	HEX BOLT HD 1/2" X 2-1/2" - T104 - C146 - 226690	5	\$1.25
3	TCCN012GAL	T190	HEX LOCK NUT 1/2" - T190 - C178 - 702201	2	\$1.08
4	0100FG01FR	C104	STEERING WHEEL LOCK PIN BREAK CM - C104 - 702202	1	\$5.00
5	TOCD038112	T176	HEX BOLT 3/8" X 1-1/2" - T176 - C141 - 226230	3	\$1.25
6	RNRX038GAL	T113	LOCK WASHER 3/8" T113 - C144 -176230	4	\$1.08
7	0113FG01VO	C536	CONTROL HANDLE BLOCK 5-15/16" E.D. X 1-1/4" W/6205 BRG FOR ALL CM C536 - 702203 (NEW STYLE)	1	\$36.00
8	0103SC01VO	C110	STEERING WHEEL HANDLE W/ GRIP ALL CM - C110	1	\$60.00
9	TCCS038GAL	C114	HEX LOCK NUT 3/8" - 227830 - T114 - C142	3	\$1.25
10	RNPX038GAL	T112	PLAIN WASHER 3/8" (T112 - C139 - 174986)	12	\$1.08
11	TCCS012GAL	T106	HEX LOCK NUT 1/2" - T106 - 227854 - C304 - C173	12	\$1.25
12	0130SC02RD	C134	AXLE, ASSY INCLUDES HUBS - 702058 - C134 - C195	1	\$200.00
12	0113RF01TA	702205	TORSION AXLE (UPGRADE) FOR CM-T 702205	OP	\$500.00
13	0200KI03RD	T129-1	WHEEL HUB W/ 1" BRG L44643 & DUST CAP - 702071 - T129 - C135 (NEW)	2	\$75.00
14	0000CO02RD	T137-12	WHEEL & TIRE ASSY 4.8 X 12" - T137-12 - C137- 431063		\$95.00
14	0000CO01RD	T137	WHEEL & TIRE ASSY 165-80 R13" - T137 - 431081 - C136	2	\$115.00
15	0113CO01PT	C537	DRUM YOKE PILLOW BLOCK - C537 (FOR T-FRAME)	1	\$30.00
16	0170CO01GF	C538	CONTROL HANDLE SAFETY GEAR GUARD FRONT CMT - C538	1	\$35.00
17	0170CO02CH	C166	CM/HM AXLE U-CLAMP C166 - 0900CR02RD -702059	2	\$15.00

18	ASK FOR #	C539	TOWING HITCH, LOCK PIN 5/8" - T121-1 - 701031 - C539	1	\$10.00
19	0000CO04LZ	T119-V	2" BALL HITCH VERTICAL HOLE - 702070 - T119 - C199	1	\$80.00
19	0000CO03LZ	T118-V	PINTLE HITCH VERTICAL HOLE - 702069 - T118 - C193 - C198	1	\$80.00
20	0111SR01LZ	T110	3/6" COTTER PIN CP-85H - SR00036EXT - T110 - 134955	2	\$1.08
21	TOFD058312	C540	TOWING HITCH, HEX HEAD SCREW 5/8" X 3-1/2" - T122-1 - 701035 - C540	1	\$3.00
22	TOCD012112	T595	HEX BOLT HD GR5 1/2" X 1-1/2" - 226650 - C303 - T595 -	4	\$1.25
23	RNRX058GAL	C541	TOWING HITCH, SPRING WASHER 5/8" - 701032 - C541	1	\$3.00
24	TCFN058GAL	C542	TOWING HITCH, HEX NUT, 5/8 NF - T124-1 - 701033 - C542	1	\$5.00
25	RNRX012GAL	T112	SPRING WASHER 1/2" - C145 - 176250 - T568 - T112	12	\$1.08
26	0113LA01YU	C543	CONTROL HANDLE GEAR GUARD RIGHT C543 - 702208 (T-FRAME)	1	\$35.00
27	0000RF03CH	C165	CM AXLE LEIFS SPRINGS SET (2) FOR CM - C165	2	\$250.00
28	CAD3516GAL	T501	5/16 SAFETY CHAIN W/ OVAL SNAPS T501 - 609686 - 701012 - CA03316GAL	1	\$35.00
29	0000GRH200	C155	FTG, GREASE ST 1/8 NPT - 110680 - C15	2	\$2.50
30	SM00156EXT	C151	RETAINING OMEGA RING - 1-15/16" - 701029 - C151	1	\$6.47
31	0000RF10RD	T136-1	DUST CAP FOR WHEEL HUBS 1.98" (NEW STYLE) - 702087 - T136-1 - 464804 - P/N 25353844	2	\$8.00
32	0000BA6205	C154	BALL BEARING, 6205 - C154 - 701016 (JEL205-100W3)	1	\$25.00
33	0113CO01CH	C545	T-FRAME ALL CM MODELS 2019 - C545 - 702210	1	\$1,500.00
34	0113SO01RD	C556	SPRING LEIFS SPACER SET (2) CM C556 - 702212	2	\$30.00
35	TOCD012134	T189	HEX BOLT 1/2 X 1-3/4" - 226660 - T189	4	\$1.25
36	0113LA02YU	C544	CONTROL HANDLE GEAR GUARD RIGHT C544 - 702211 (T-FRAME)	1	\$35.00

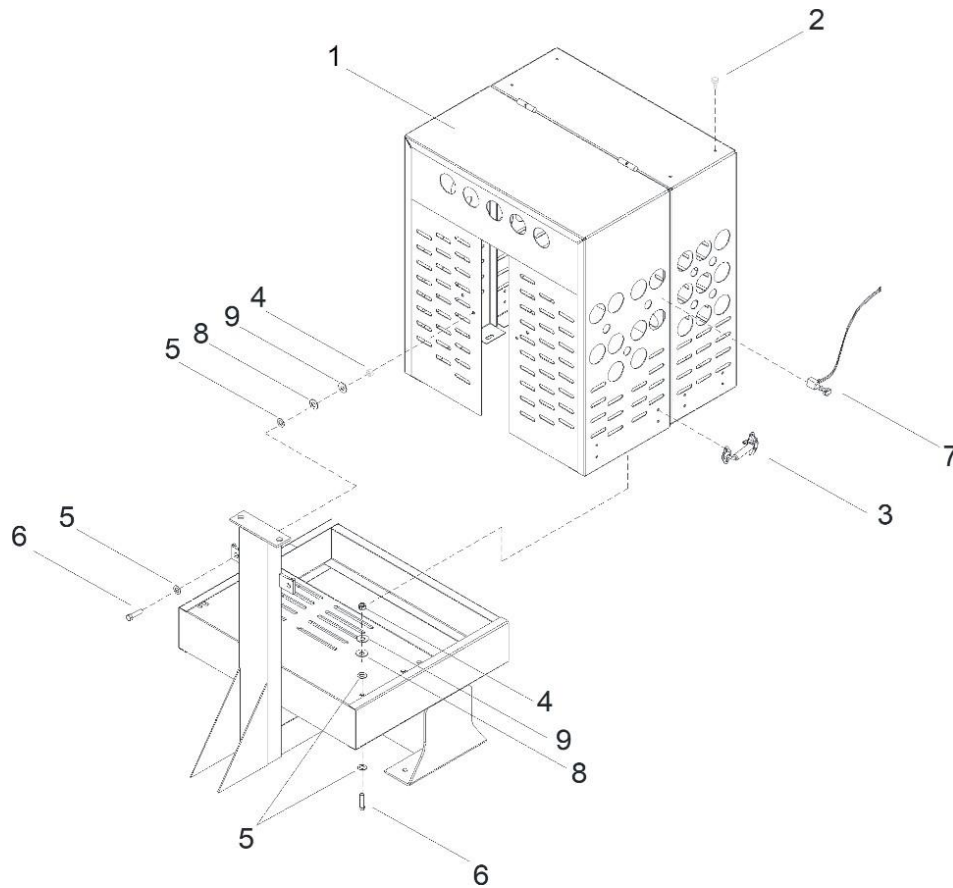


DRUM ASSEY BREAK DOWN CMP					
ITEM	SKU #	PART #	DESCRIPTION	CM9P	PRICE LIST
1	0100SC01AS	C505	PADDLE C3/C6P/C9P/CM9P - 702107 - C505 - 412010	6	\$35.00
2	0100SO02AD	C529	BRACKET SUPPORT ARM CM9P - C529 - 702122 - 0100SO02AD	4	\$45.00
3	0000BA2788	C150	BALL BEARING, TRB CO&SL 4T-LM67048L (W/ CUP BA2788/20) - C150 -701014 <b>(NEW STYLE) 2010</b>	2	\$65.00
4	0111CO01TQ	C508	DRUM SUPPORT REINFORCED C9P/CM9P - C508 - 702120 - 0100CO01AD	1	\$250.00
5	0906CO01TQ	C504	DRUM C9P/CM9P INCLUDES PADDLES - 702085 - C504 - C191	1	\$1,200.00
5	ASK FOR #		C9P/CM9P DRUM KIT ASSEY (DRUM, PADDLES, YOKE, RING) <b>T-FRAME</b> - C522 - 609936 - 610502	1	\$1,415.00
6	0100FG02TQ	C122	RING GEAR (115 TH 32-7/8" DIA) ALL CM - C122 -702040	1	\$400.00
7	0000GRH200	C155	FTG, GREASE ST 1/8 NPT - 110680 - C155	1	\$2.50
8	0100PL10YU	C554	STEERING WHEEL GEAR 14" <b>(DUCTILE CASTING)</b> FOR CM - C554 - 702219	1	\$50.00
9	RNRX012GAL	T568	SPING WASHER 1/2" - C145 - 176250 - T568	3	\$1.08
10	TOCD012100	C555	HEX BOLT HD, 1/2 X 1 - 226630 - C555	3	\$1.08
11	0113CO04YU	C576	YOKE CM9P (T-FRAME) - C576 - 701046	1	\$450.00
12	0170CC01MO	T483	KEY 1/4 X 1-1/4 - 701027 - C152 - T483 - 0000CU01TR	1	\$1.25
13	0000BA6205	C154	BALL BEARING, 6205 - C154 - 701016 (JEL205-100W3)	2	\$25.00
14	0100CR02YU	C124	TRANS. SHAFT CM SHAFT 1 1/16 X 9 3/4" - C124 - 411894	1	\$118.72
15	SM00156EXT	C151	RETAINING OMEGA RING - 1-15/16" - 701029 - C151	1	\$6.47
16	TOCD038112	C141	HEX BOLT 3/8" X 1-1/2" - T176 - C141 - 226230	12	\$1.25
17	TCCS038GAL	C142	HEX LOCK NUT 3/8" - 227830 - T114 - C142	28	\$1.25
18	0100FG02YU	C123	PINION 12 TOOTH (FOR NEW CM) - 702068 - C123	1	\$60.00
19	RNPX038GAL	T112	PLAIN WASHER 3/8" - T112 - C139 - 174986 - 701032 - C140	56	\$1.08
20	TOCD012400	C552	HEX HEAD CAP SCREW 1/2 X 4" - C552 - 401006	1	\$1.23
21	0113CO01YU	C553	YOKE HANDLE BLOCK/FLANGE - C553 - 702218 (T-FRAME)	1	\$30.00

22	SC018112NOR	C570	COTTER PIN 1/8 X 1-1/2" - C570 - 135790	1	\$1.08
23	0111CR01YU	C517	SHAFT C9P 14" (HEX NUT 1-3/8 NC) -C517 - 702225 - ONLY FOR 2019	1	\$75.00
23	0113CR02YU	C569	SHAFT CM9PT 2020 15" - 1/16" (HEX NUT 1-1/4 NF) - C569 -702255 - FROM 2020	1	\$75.00
24	0100RF01TQ	C532	CM DRUM BOWL SEAL TC38X80X8 - C532 - 702126	1	\$12.00
25	0113LA01FC	C557	DRUM BOWL SEAL 3-1/8" _18 - C557 - 702220	2	\$10.00
26	RNRX114GAL	C559	SPRING WASHER 1-1/4" - C559 - 701040	1	\$3.00
26	RNRX138GAL	C577	SPRING WASHER 1-3/8" - C577 - 701045	1	\$3.00
27	TCFN114MAQ	C560	MAIN SHAFT HEX NUT 1-1/4 NF - C560 - 701041	1	\$10.00
27*	TCFN100GAL	C574	MAIN SHAFT HEX NUT 1" NF - C574 - 227920	1	\$10.00
28	RNPX012GAL	C147	PLAIN WASHER 1/2" - T105 - C172 - 174470	24	\$2.12
29	0110SO01AD	C531	BRACKET SUPPORT INNER CM6P/C6P - C531 - 702123 - 0110SO01AD	4	\$10.00
30	TOCD038134	C527	HEX BOLT HD, 3/8 X 1-3/4 - 226240	4	\$1.25
31	TOCD038212	C526	HEX BOLT HD, 3/8" X 2-1/2 - T590 - 226270	4	\$1.25
32	TOCD038312	C528	HEX BOLT HD, 3/8" X 3-1/2" - C528 - 226275	8	\$1.25
33	0100PL03AD	C525	CLAMP DRUM SUPPORT CM6P/CM9P - C525 - 702121	4	\$12.00



TRANSM ASSEY BREAK DOWN							
ITEM	SKU #	PART #	DESCRIPTION	CM7	CM9	CM12	PRICE LIST
*	202002M	202002M	HONDA ENGINE GX160	1	1		\$0.00
*	202008M	202008M	HONDA ENGINE GX240	1	1		\$0.00
*	202012M	202012M	HONDA ENGINE GX390			1	\$0.00
*	BALDOR	N/A	ELECTRIC MOTOR VAIROUS OPTIONS	1	1	1	\$0.00
1	0170CC01MO	C152	KEY 1/4 X 1-1/4 - 701027 - C152 - T483 - 0000CU01TR	1			\$1.27
1	0200CU03TR	T147-1	ENGINE KEY 3/16" FOR 5HP - C514 - T147-1	1	1	1	\$1.27
1	0200CU02TR	T147	ENGINE KEY 1/4 FOR 8HP & 13HP - T147	1	1	1	\$1.27
2	TOCD056312	C563	BOLT HEXHD, 5/16" X 3-1/2" FOR 5.5 HP GAS ENGINE - C563 - 119880	4			\$1.25
2	TOCD038200	C158	HEX BOLT HD, GR5 3/8" X 2" - 226250 - T145- C158	4	4	4	\$1.25
2	TOCD038100	C138	HEX BOLT 3/8 X 1 - C138 - 226210 (ELECTRIC MOTORS)	4	4	4	\$1.08
3	RNPX038GAL	C139	PLAIN WASHER 3/8" - T112 - C139 - 174986 - 701032 - C140	9	9	9	\$1.08
4	TCCS056GAL	C564	HEX HEAD LOCK NUT 5/16" FOR 5.5 HP GAS ENGINE	4			\$1.15
4	TCCS038GAL	C142	HEX LOCK NUT 3/8" - 227830 - T114 - C142	4	4	4	\$1.15
5	0000BNB63	C568	BELT-V B63 FOR CM GAS ENGINE UNITS (T-FRAME) - C129-T	1	1	1	\$35.00
5	0000BNB63	C568	BELT-V B63 FOR CM ELECTRIC UNITS (T-FRAME) - C129-T IF USED BRACKETS T165*	1	1	1	\$35.00
5	0000BNB66	B66	BELT-V B66 FOR CM ELECTRIC UNITS (T-FRAME) *IF NOT USED BRACKETS T165*	1	1	1	\$35.00
6	POFG190516TK	C125	PULLEY 19" X 1 GROOVE CM - C125 - 702044	1	1	1	\$240.00
7	POFG212034	C126	PULLEY 2-1/2" X CAL 3/4" (AK2534) FOR 5.5 HP GAS ENGINE - 702049 - 411871 - C126	1			\$40.00
7	POFG212100	C127	PULLEY 2-1/2" X CAL. 1" -702050 - 459960 - C127 (8 HP -13 HP ENGINE)	1	1	1	\$40.00
7	POFG212058	C185	PULLEY 2-1/2" X 5/8" (AK2558) - 702051 C185 (.5 HP - 1.5 HP MOTOR)	1			\$40.00
7	POFG212078	C186	PULLEY 2-1/2" X CAL 7/8" 1 GROOVE (AK2578) - 702052 (2 HP MOTOR)	1	1	1	\$40.00
7	POFG212118	C187	PULLEY 2-1/2" X CAL 1 1/8" - 702053 (3 HP - 5HP MOTOR)		1	1	\$40.00
8	TOFD038100	T116	HEX BOLT HD, GR5 3/8 X 1 NF - T116	1	1	1	\$1.25
9	RNPX038GAL	C139	PLAIN WASHER 3/8" - T112 - C139 - 174986 - 701032 - C140	9	9	9	\$1.08
10	0170LA01TR	C140	SPRING WASHER 3/8" - C140 - C701032	1	1	1	\$1.08
11	0201PL01MO	T165	RAISING HEIGHT BRACKET FOR 5.5HP ENGINE & ELECTRIC MOTOR - T165	OP			\$25.00
12	0170CC01MO	C152	KEY 1/4 X 1-1/4 - 701027 - C152 - T483 - 0000CU01TR	1	1	1	\$1.25



HOOD ASSEY BREAK DOWN							
ITEM	SKU #	PART #	DESCRIPTION	CM7	CM9	CM12	PRICE LIST
1	0110CO01GA	C131	HOOD, HINGED ASSY SINCE THE SERIES CM7-CM12 - C131 - BLACK	1	1	1	\$250.00
2	0000RF01GA	T158	RUBBER SCREW 1/4" FOR SHROUD - T158 - C159 - 201544	2	2	2	\$3.15
3	0000RF02GA	T160	SHROUD HOOK ASSEMBLY - T160 - C161 - 701004 - 201543	2	2	2	\$9.00
4	TCCS038GAL	T114	HEX LOCK NUT 3/8" - 227830 - T114 - C142	4	4	4	\$1.25
5	RNPX038GAL	T112	PLAIN WASHER 3/8" - T112 - C139 - 174986 - 701032 - C140	8	8	8	\$1.06
6	TOCD038112	T176	HEX BOLT 3/8" X 1-1/2" - T176 - C141 - 226230	4	4	4	\$1.25
7	1000KI04GA	T193	ENGINE KILL SWITCH ASSEY <b>RED</b> (WITH HARNESS) 701007 - T193	1	1	1	\$29.00
7	0200KI01GA	T195-1	ENGINE N.O KILL SWITCH <b>RED</b> (NO HARNESS) - 816769AS - 112500 - T195-1	1	1	1	\$18.00
8	RNPX012GAL	C147	PLAIN WASHER 1/2"	4	4	4	\$2.12
9	RNPH012ESP	C561	NEOPRENE WASHER 2" X 1/2" X 1/16" - 0000R03FGA - 701030 - C168 - C180	4	4	4	\$2.00

Office: (956) 796-9411

Fax: (956) 462-2500

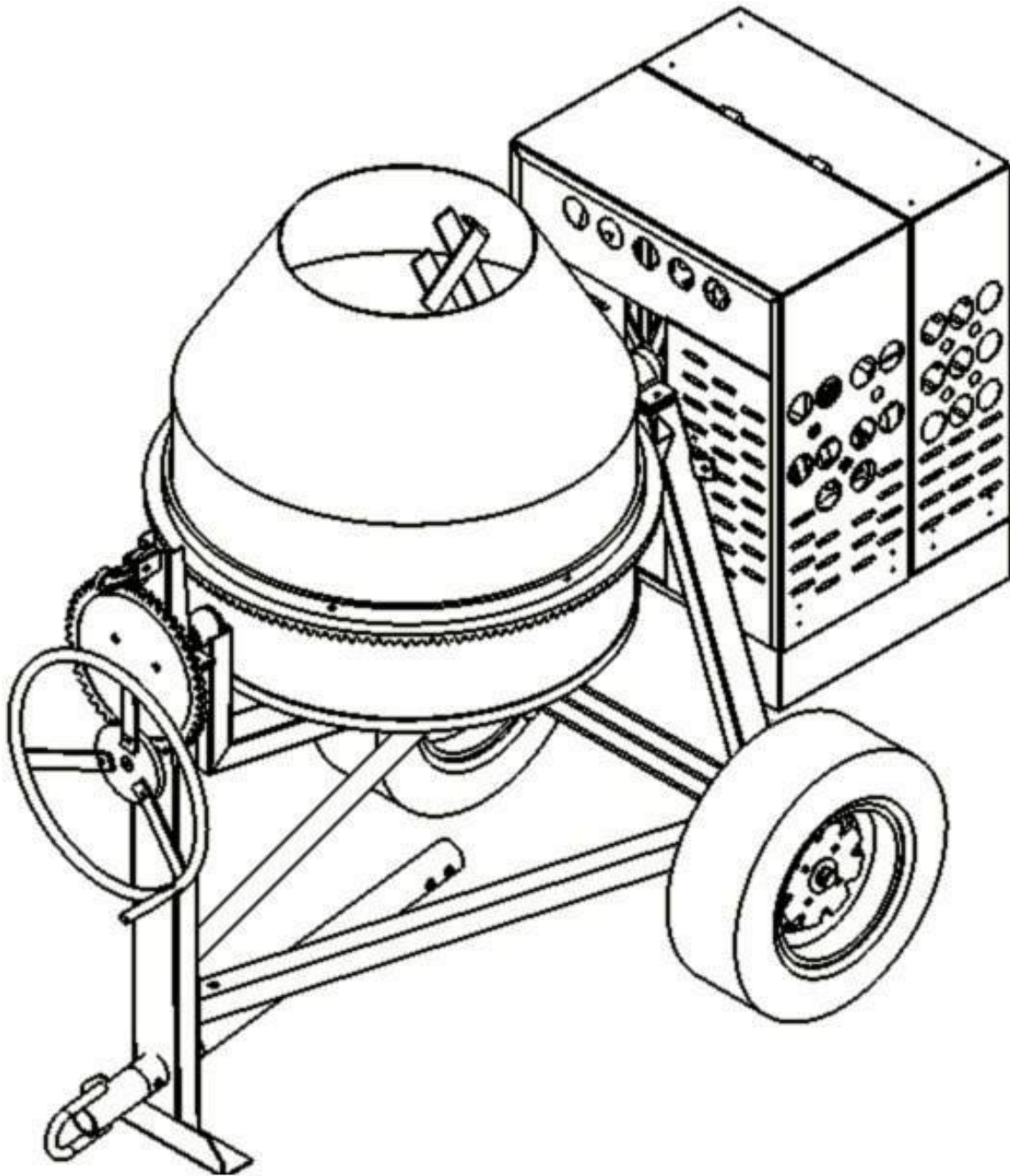
Jaime Ortiz

Parts & Customer Service

[parts@btmequipment.com](mailto:parts@btmequipment.com)

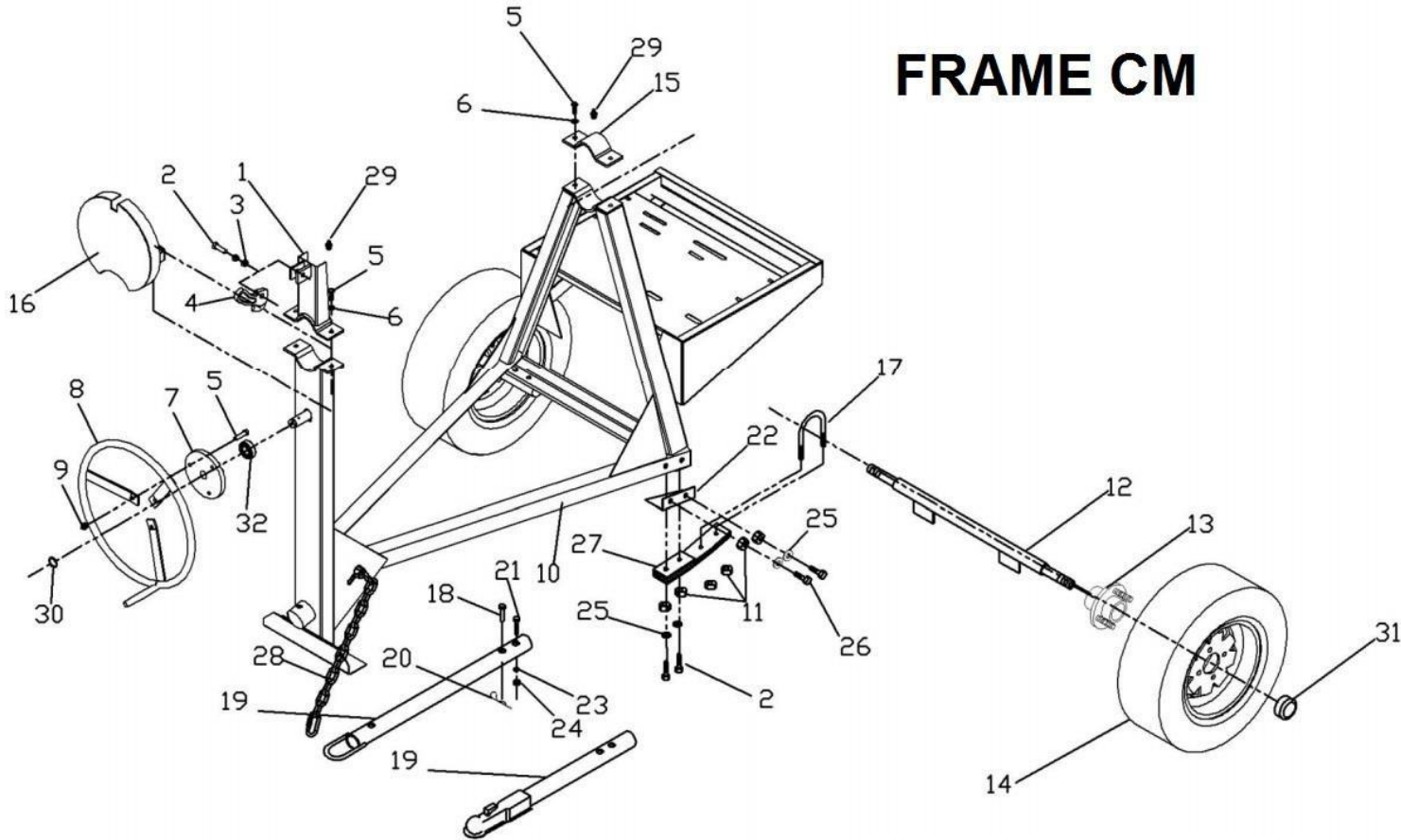
[service@btmequipment.com](mailto:service@btmequipment.com)

# CM6P – CM9P (V-FRAME) PARTS BREAKDOWN



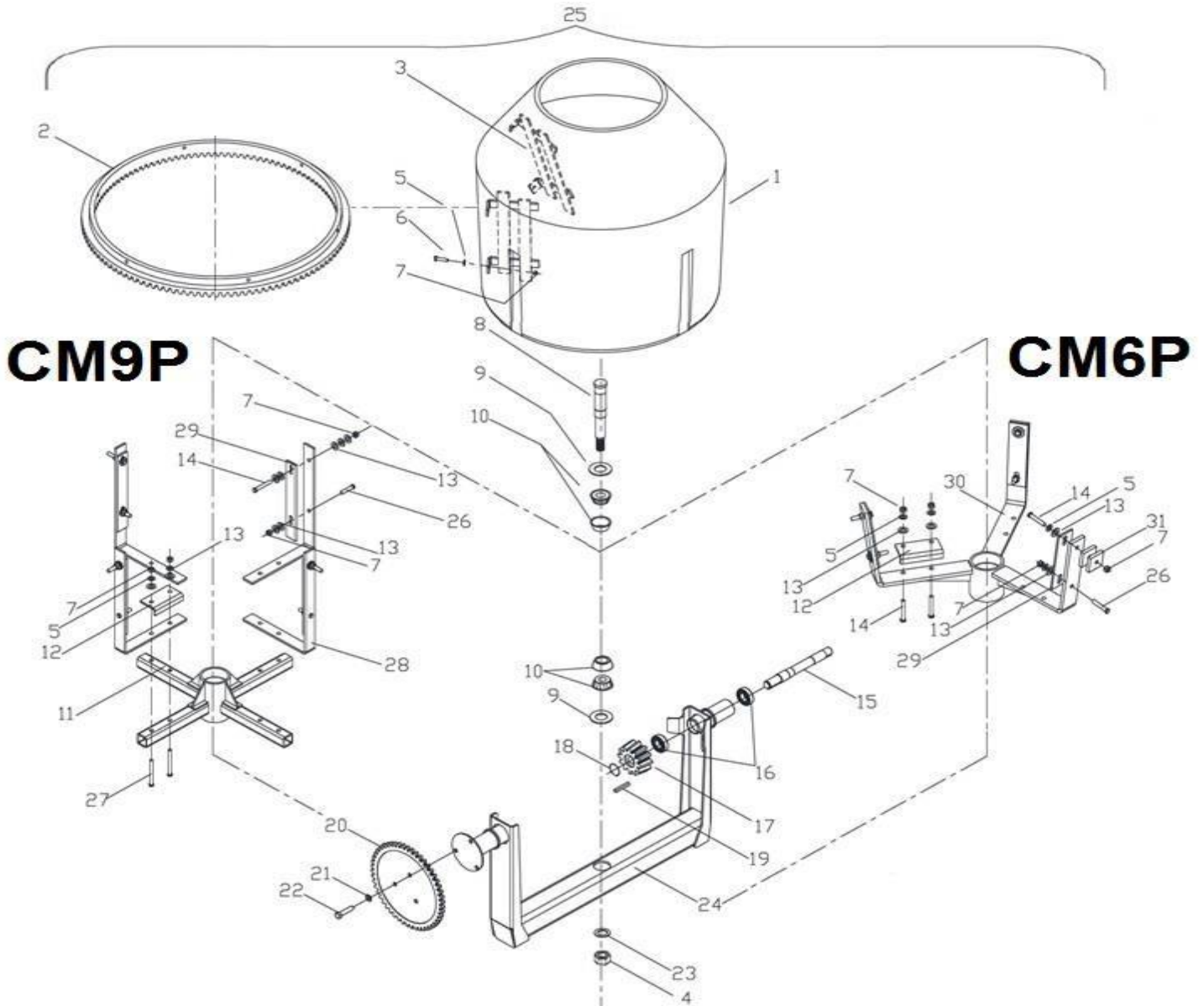


# FRAME CM



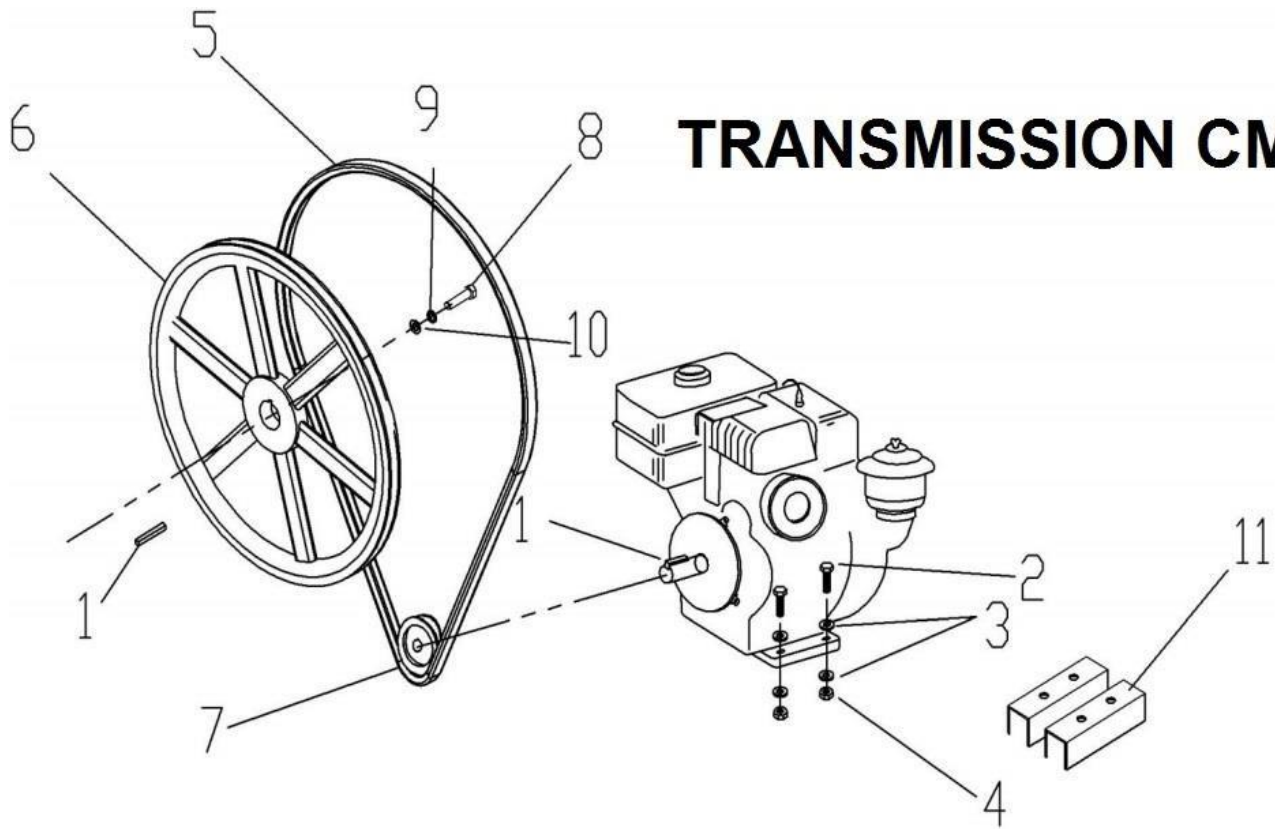
FRAME ASSEY BREAK DOWN					
ITEM	M.I.D. #	PART #	DESCRIPTION	CM6P	CM9P
1	0100SC01FR	C103	STEERING WHEEL BRAKE	1	1
2	TOCD012212	C146	HEX BOLT HD 1/2 X 2-1/2" GR5	5	5
3	TCCN012GAL	C178	NUT 1/2" NC	2	2
4	0100FG01FR	C104	PIN LOCK BREAK	1	1
5	TOCD038112	C141	HEX HEAD CAP SCREW 3/8" X 1-1/2"	7	7
6	RNRX038GAL	C144	SPRING WASHER 3/8"	4	4
7	0100FG01VO	C108	CONTROL HANDLE BLOCK 1" CM6P - CM9P	1	1
8	0100SC01VO	C110	STEERING WHEEL WITH GRIP FOR CM6P - CM9P/ CM7- CM9	1	1
9	TCCS038GAL	C142	HEX HEAD LOCK NUT 3/8"	3	3
10	0170CO01CH	C100	A TYPE FRAME CM7 - CM6P - CM9P	1	1
11	TCCS012GAL	C173	LOCK NUT 1/2"	12	12
12	0130SC02RD	C134	STANDARD AXLE	1	1
13	0200KI01RD	T129	<b>OLD STYLE</b> HIGH SPEED WEELS AXLE HUBS ASSEY WITH DUST CAP (4 BOLTS)	2	2
13	0200KI03RD	T129-1	<b>NEW STYLE</b> HIGH SPEED WEELS AXLE HUBS ASSEY WITH DUST CAP (4 BOLTS)	2	2
14	0000LL02RD	T137-12	WHEEL AND TIRE ASSEY 4.8X12" CM6P	2	
14	0000LL02RD	T137	WHEEL AND TIRE ASSEY 165-80-R13" CM9P		2
15	0100SO01PD	C105	DRUM YOKE PILLOW BLOCK	1	1
16	0170CO01GF	C157	CONTROL HANDLE SAFETY GEAR GUARD	1	1
17	0170CO03CH	C167	AXLE BRACKETS U-CLAMP CM7	2	2
18	0000CR01LZ	T121	TOWING HITCH SAFETY PIN LOCK	1	1

19	0000CO04LZ	T119-V	2" BALL HITCH (VERTICAL HOLE)	1	1
19	0000CO03LZ	T118-V	PINTLE HITCH (VERTICAL HOLE)	1	1
20	SR00036EXT	T110	HAIR LOCK PIN	1	1
21	TOFD034312	T122	TOWING HITCH SAFETY HEX HEAD SCREW 3/4" x 3-1/2"	1	1
22	0100PL01RD	C133	AXLE BRACKETS SUPPORT	2	2
23	RNRX034GAL	T123	TOWING HITCH SAFETY LOCK WASHER 3/4"	1	1
24	TCCN034GAL	T124	TOWING HITCH SAFETY HEX HEAD 3/4"	1	1
25	RNRX012GAL	C145	SPRING WASHER 1/2"	3	3
26	TOCD038112	C141	HEX HEAD CAP SCREW 3/8" X 1-1/2"	4	4
27	0000RF01HC	C165	AXLE SOFT TENDERS (SPRINGS) CM9 - CM12	OPT	2
28	CA03316GAL	T501	5/16" SAFETY CHAIN	1	1
29	0000GRH200	C155	FITTING GREASE 1/8"	2	2
30	SM00078EXT	C151	RETAINING OMEGA RING 1" 15/16"	1	1
31	0000RF06RD	T136	HIGH SPEED WHEELS HUB DUST CAP	2	2
32	0000BA6205	C154	TRANSMISSION PINNION BEARING 6205	1	1



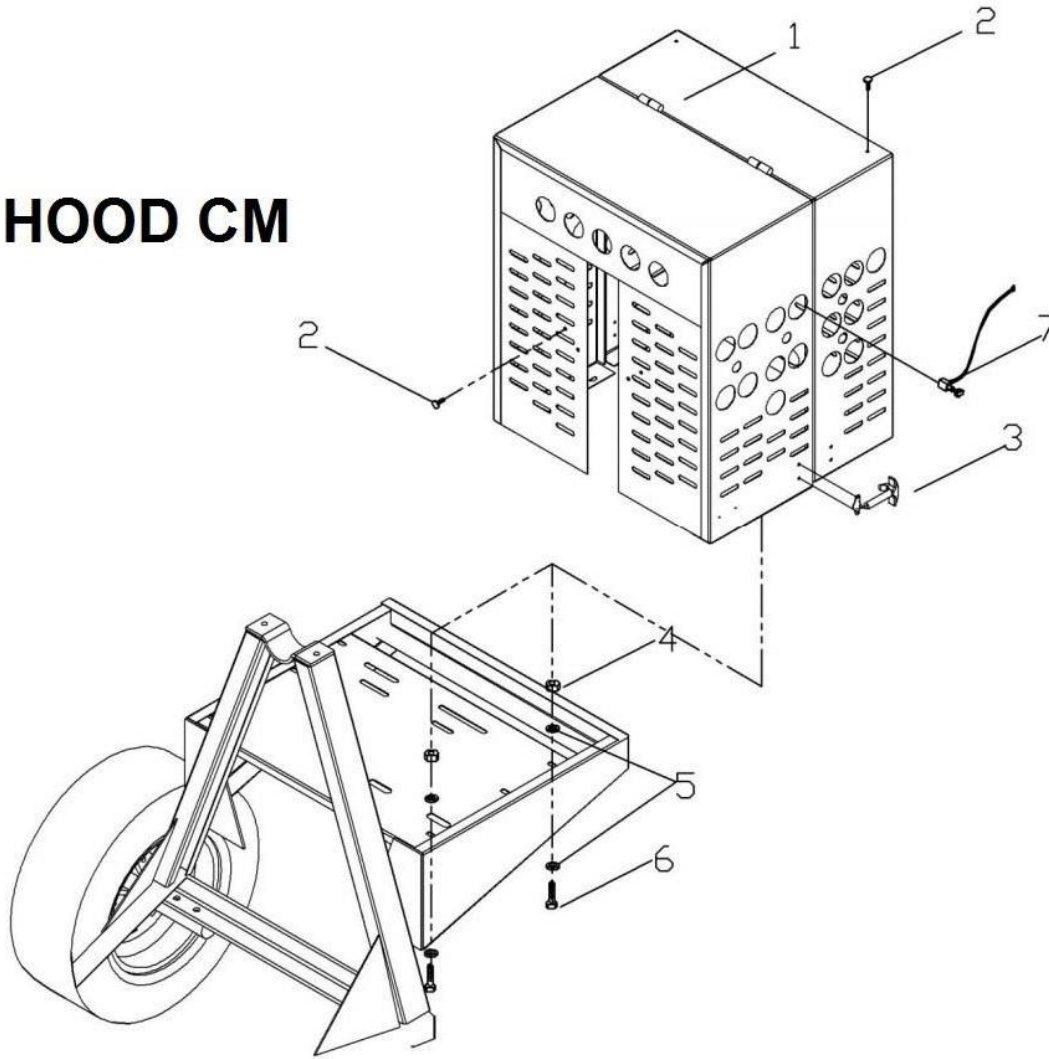
<b>DRUM ASSEY BREAK DOWN CMP</b>					
<b>ITEM</b>	<b>M.I.D. #</b>	<b>PART #</b>	<b>DESCRIPTION</b>	<b>CM6P</b>	<b>CM9P</b>
1	0903CO01TQ	C503	DRUM CM6P PADDLES INCLUDED	1	
1	0906CO01TQ	C504	DRUM CM9P PADDLES INCLUDED		1
2	0210FG01TQ	C506	DRUM RING GEAR CM6P	1	
2	0100FG02TQ	C122	DRUM RING GEAR 115TH (CM7, CM9, CM9P, CM12)		1
3	0100SC01AS	C505	CM6P, CM9P PADDLE	3	6
4	TCFN038ESP	C512	HEX NUT, 1" UNF	1	1
5	RNPX038GAL	C139	PLAIN WASHER 3/8"	24	20
6	TOCD038112	C141	HEX HEAD CAP SCREW 3/8" X 1-1/2"	6	12
7	TCCS038GAL	C142	HEX HEAD LOCK NUT 3/8"	18	28
8	0903CR01YU	C516	SHAFT, BOWL C6P	1	
8	0906CR01YU	C517	SHAFT, BOWL C9P		1
9	0100RF01TQ	C532	DRUM BOTTOM DRIVE SHAFT OIL SEAL TC 38 80 8 (NEW STYLE)	1	1
10	0000BA104949	C171	BALL BEARING 104949 CM12 (NEW STYLE)	2	2
10*	0000BA2788	C150	CONE/CUP DRIVE BEARING 2788 (OLD STYLE)	2	2
11	0111CO01TQ	C508	BASE DRUM SUPPORT CM9P (YOKE)		1
12	0100PL03AD	C525	CLAMP DRUM SUPPORT	3	4
13	RNPX012GAL	C147	PLAIN WASHER 1/2"	12	36
14	TOCD038212	C526	BOLT, HEXHD, 3/8" X 2-1/2"	9	4
15	0100CR02YU	C124	TRANSMISSION PINNION SHAFT	1	1
16	0000BA6205	C154	TRANSMISSION PINNION BEARING 6205	2	2
17	0100FG02YU	C123	TRANSMISSION PINION 12 TH (NEW CM)	1	1
17	0900FG02YU		PINION 14 TOOTH (FOR DOUBLE BELT CM)	1	1
18	SM00156EXT	C151	RETAINING RING 15/16"	1	1
19	0000CU01TR	C152	KEY, 1/4" X 1-1/2"	1	1
20	0100FG01YU	C107	CONTROL HANDLE GEAR (STEERING WHEEL GEAR)	1	1
21	RNRX012GAL	C145	SPRING WASHER 1/2"	3	3
22	TOCD012034	C149	STEERING WHEEL CONTROL HANDLE BLOCK HEX BOLT HD 1/2" X 3/4"	3	3
23	RNRX100GAL	C511	WASHER SPRING, 1"	1	1
24	0110CO01YU	C519	YOKE CM6P	1	
24	0111CO01YU	C520	YOKE CM9P		1
25	0110CO01EF	C521	DRUM C6P ASSEY (DRUM, PADDLES, YOKE, RING)	1	
25	0111CO01EF	C522	DRUM CM9P ASSEY (DRUM, PADDLE YOKE, RING)		1
26	TOCD038134	C527	BOLT, HEXHD, 3/8" X 1-3/4"	3	4
27	TOCD038312	C528	BOLT, HEXHD, 3/8" X 3-1/2"		8
28	0100SO02AD	C529	BRACKET SUPPORT ARM CM9P		4
29	0110SO01AD	C531	BRACKET SUPPORT INNER CM6P	3	
30	0110CO01TQ	C507	DRUM SUPPORT REINFORCED CM6P	1	
31	0110PL01TQ	C510	DRUM SUPPORT REINFORCED	6	6

# TRANSMISSION CM



TRANSM ASSEY BREAK DOWN				CM9P	CM7	CM9	CM12	PRICE LIST
ITEM	SKU #	PART #	DESCRIPTION					
*	202002M	202002M	HONDA ENGINE GX160		1	1		\$465.00
*	202008M	202008M	HONDA ENGINE GX240	1	1	1		\$795.00
*	202012M	202012M	HONDA ENGINE GX390				1	\$975.00
*	202246M	202246M	MOTOR YANMAR 6.4HP	1	1	1	1	\$3,408.33
*	202247M	202247M	MOTOR YANMAR 9.1HP	1		1	1	\$4,925.00
1	0200CU02TR	T147	ENGINE KEY 1/4 FOR 8HP & 13HP - T147	1	1	1	1	\$1.27
1	0200CU03TR	T147-1	ENGINE KEY 3/16" FOR 5HP - C514 - T147-1		1			\$1.27
2	TOCD038200	C158	HEX BOLT HD, GR5 3/8" X 2" - 226250 - T145 - C158	4	4	4	4	\$1.25
2	TOCD038100	C138	HEX BOLT 3/8 X 1 - C138 - 226210 (ELECTRIC MOTORS)	4	4	4	4	\$1.08
3	RNPX038GAL	C139	PLAIN WASHER 3/8" - T112 - C139 - 174986 - 701032 - C140	8	8	8	8	\$1.08
4	TCCS038GAL	C142	HEX LOCK NUT 3/8" - 227830 - T114 - C142	4	4	4	4	\$1.15
5	0000BNB63	C129-T	BELT-V B63 FOR CM GAS ENGINE UNITS (T-FRAME) - C129-T	1	1	1	1	\$25.00
5	0000BNB63	C129-T	BELT-V B63 FOR CM ELECTRIC UNITS (T-FRAME) - C129-T IF USED BRACKETS T165*	1	1	1	1	\$25.00
5	0000BNB66	C194-T	BELT-V B66 FOR CM ELECTRIC UNITS (T-FRAME) *IF NOT USED BRACKETS T165*	1	1	1	1	\$35.00
5	0000BNB64	C129	BELT-V B64 FOR CM GAS ENGINE UNITS (V-FRAME) - C129	1	1	1	1	\$35.00
5	0000BNB68	C194	BELT-V B68 FOR CM ELECTRIC UNITS - C194 (V-FRAME) *IF NOT USED BRACKETS T165*	1	1	1	1	\$35.00
6	POFG190516TK	C125	PULLEY 19" X 1 GROOVE CM - C125	1	1	1	1	\$240.00
7	POFG212034	C126	PULLEY 2-1/2" X CAL 3/4" (AK2534) - 702049 - C126		1			\$40.00
7	POFG212100	C127	PULLEY 2-1/2" X CAL. 1" - 702050 - C127 (8 HP - 13 HP)	1	1	1	1	\$28.00
7	POFG212058	C185	PULLEY 2-1/2" X 5/8" (AK2558) - C185 (.5 HP - 1.5 HP)		1			\$40.00
7	POFG212078	C186	PULLEY 2-1/2" X CAL 7/8" 1 GROOVE (AK2578) - (2 HP)	1	1	1	1	\$40.00
7	POFG212118	C187	PULLEY 2-1/2" X CAL 1 1/8" - 702053 (3 HP - 5HP MOTOR)	1		1	1	\$40.00
8	TOFD038100	T116	HEX BOLT HD, GR5 3/8 X 1 NF - T116	1	1	1	1	\$1.25
9	RNPX038ESP	C505	SPRING WASHER 3/8 X 1-1/4 - 701017 - C509	1	1	1	1	\$1.08
10	RNPX038GAL	T112	PLAIN WASHER 3/8" - T112 - C139 - 174986 - 701032		1	1	1	\$1.08
11	0201PL01MO	T165	RAISING HEIGHT BRACKET FOR 5.5HP ENGINE & ELECTRIC MOTOR - T165	OP	OP	OP	OP	\$25.00
12	0170CC01MO	C152	KEY 1/4 X 1-1/4 - 701027 - C152 - T483 - 0000CU01TR	1	1	1	1	\$1.25

# HOOD CM



HOOD ASSEY BREAK DOWN						
ITEM	SKU #	PART #	DESCRIPTION	CM6P	CM9P	PRICE LIST
*	0100CO01GS	C132	SQUARE SHROUD ASSEY COMPLETE (FROM #SERE 23004-343799)	1	1	\$250.00
1	0110CO01GA	C131	HOOD, HINGED ASSY SINCE THE SERIES CM7-CM12 - C131 - BLACK	1	1	\$250.00
2	0000RF01GA	T158	RUBBER SCREW 1/4" FOR SHROUD - T158 - C159 - 201544	2	2	\$3.15
3	0000RF02GA	T160	SHROUD HOOK ASSEMBLY - T160 - C161 - 701004 - 201543	2	2	\$9.00
4	TCCS038GAL	T114	HEX LOCK NUT 3/8" - 227830 - T114 - C142	4	4	\$1.25
5	RNPX038GAL	T112	PLAIN WASHER 3/8" - T112 - C139 - 174986 - 701032	8	8	\$1.06
6	TOCD038112	T176	HEX BOLT 3/8" X 1-1/2" - T176 - C141 - 226230	4	4	\$1.25
7	1000KI04GA	T193	ENGINE KILL SWITCH ASSEY <b>RED</b> (W/ HARN.) 701007 - T193	1	1	\$29.00
7*	0000RF04GA	T195	<b>*DISCONTINUED*</b> - ENGINE KILL SWITCH <b>BLACK</b> - (NO HARNESS) - 290100 - T195	1	1	\$18.00
7	0200KI01GA	T195-1	ENGINE N.O KILL SWITCH <b>RED</b> (NO HARNESS) - 816769AS - 112500 - T195-1	1	1	\$18.00

[www.tkequip.com](http://www.tkequip.com)  
[salesmanager@tkequip.com](mailto:salesmanager@tkequip.com)  
[sales@tkequip.com](mailto:sales@tkequip.com)

Office: 956-796-9411  
 Tel: 956-740-3740  
 Fax: 956-462-2500