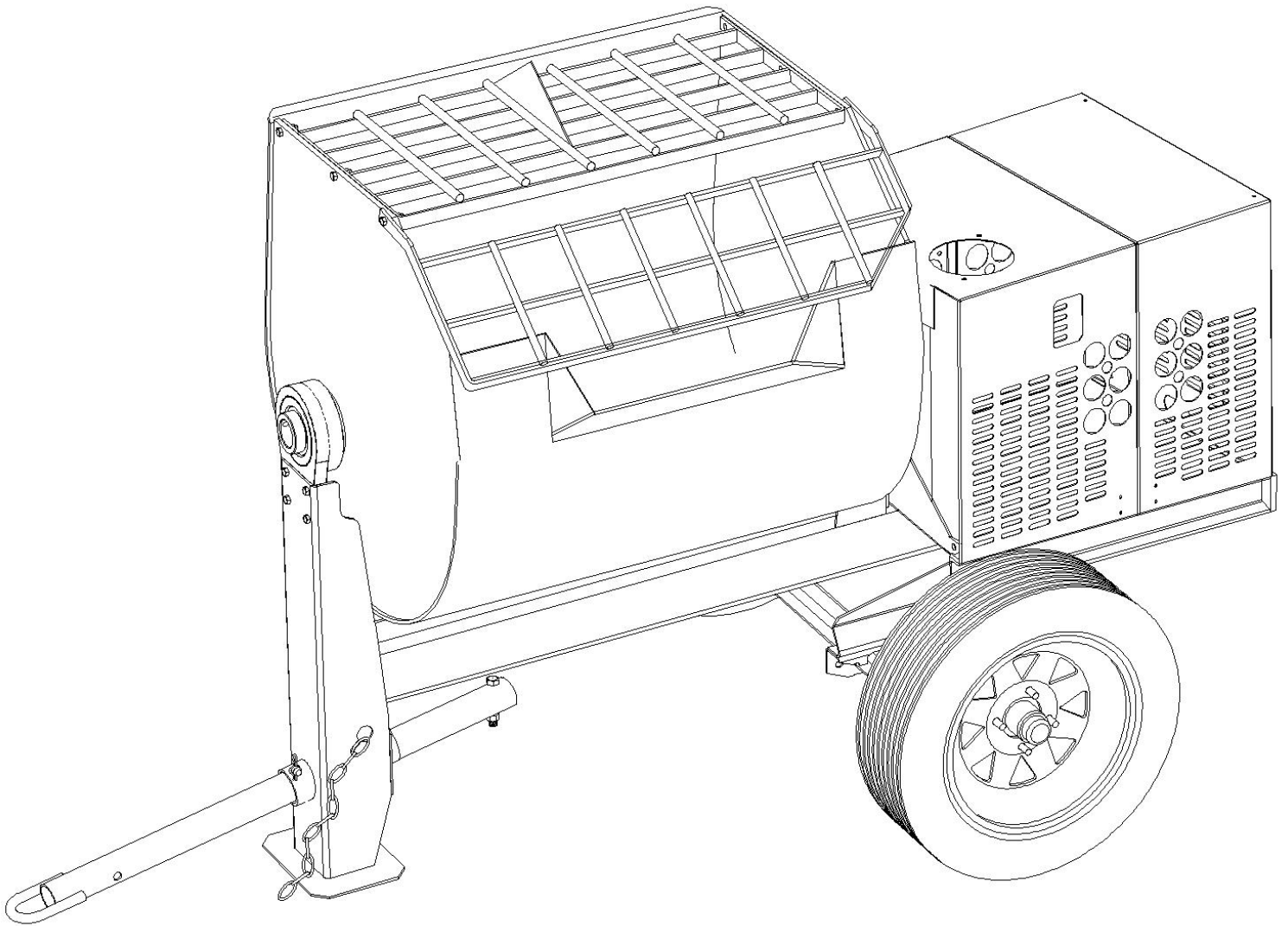
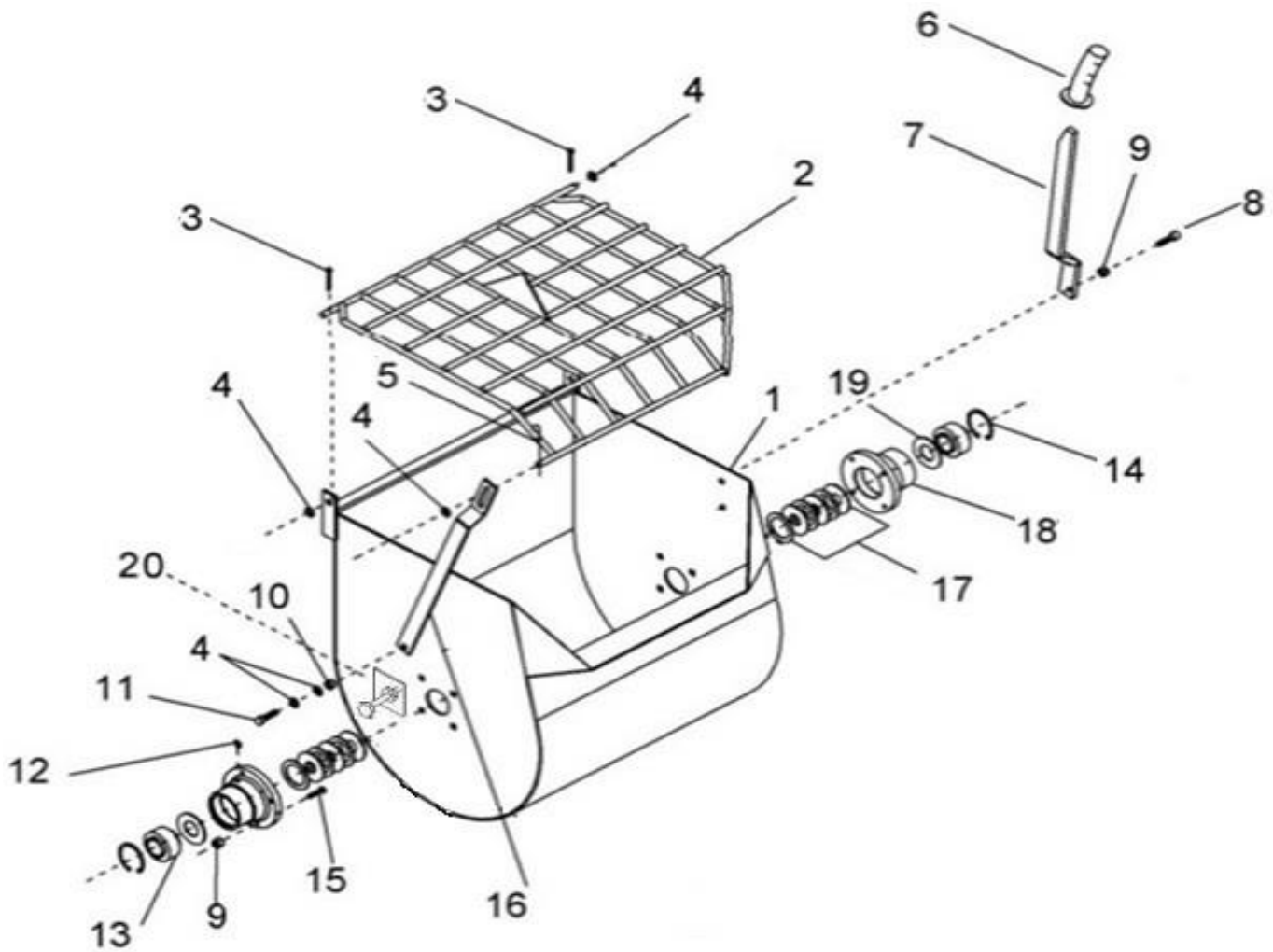
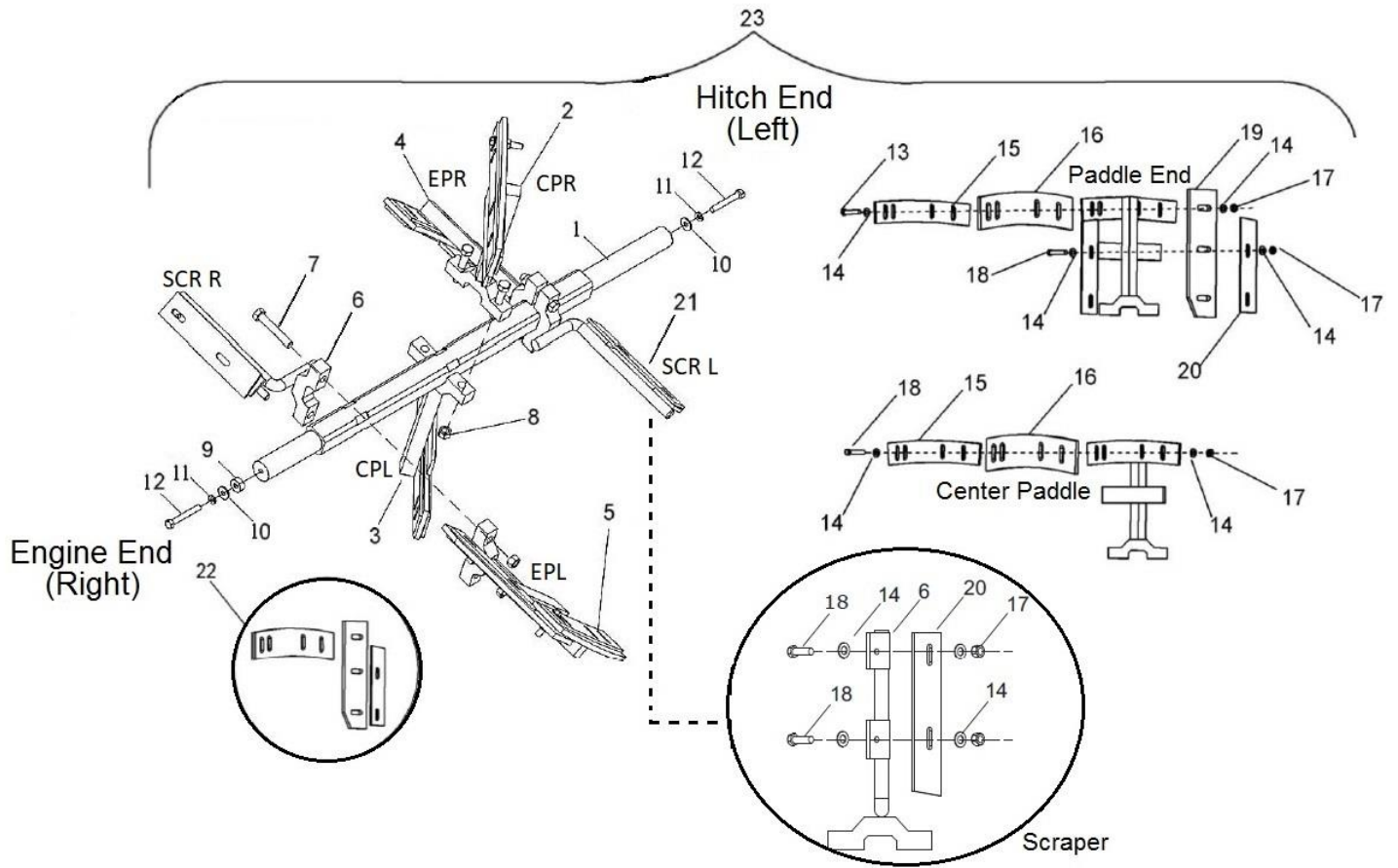


# HM12 – HM16 (HYD DRIVE) PARTS BREAKDOWN

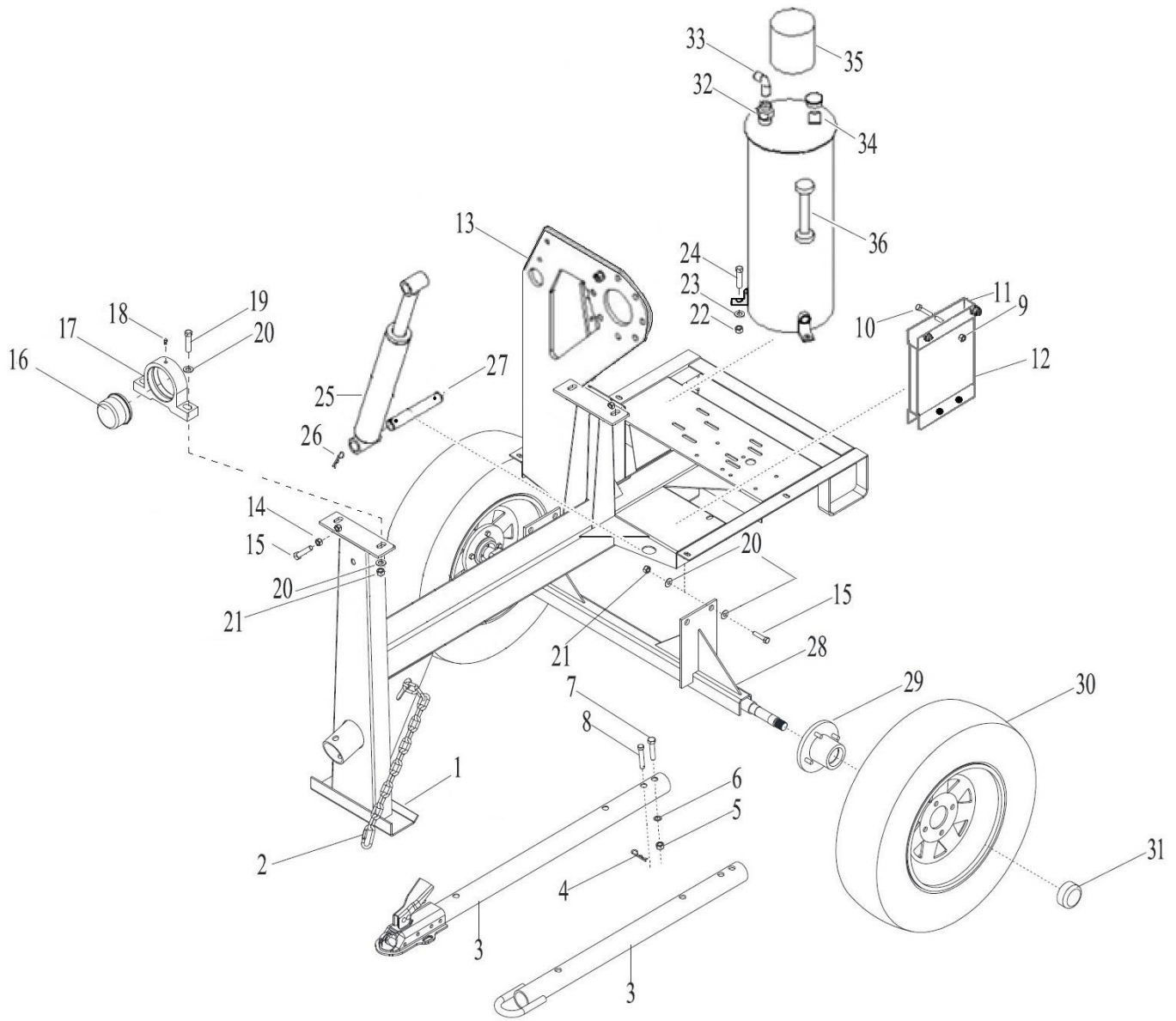




DRUM ASSEMBLY BREAK DOWN					
ITEM	M.I.D. #	PART #	DESCRIPTION	HM12	HM16
1	0224CO01TQ	T-711	DRUM HM12 (NEW STYLE) 40"	1	
1	0222CO01TQ	T-811	DRUM HM16 (NEW STYLE) 43"		1
1	0224KI01TQ	T-700	DRUM ASSEMBLY COMPLETE HM12 (NEW) 40"	1	
1	0222KI01TQ	T-800	DRUM ASSEMBLY COMPLETE HM16 (NEW) 43"		1
2		T-605	DRUM GRID W/ BAG CUTTER HM12 - HM16	1	1
3	SC3116200GAL	T111	GRID PIN COTTER, 3/16" X 2"	2	2
4	RNPX012GAL	T105	PLAIN WASHER 1/2"	5	5
5	SR00036EXT	T110	GRID/HITCH HAIR LOCK PIN 3/16"	3	3
6	0000RF01RJ	T166	DUMPING & CONTROL HANDLE GRIP	1	1
7	0200CO01TQ	T168	DRUM DUMPINHG HANDLE ASSEY WITH GRIP	1	1
8	TOCD038112	T176	HEX HEAD SCREW 3/8" X 1-1/2"	2	2
9	TCCS038GAL	T114	LOCK NUT HEX, 3/8"	8	8
10	TCCS012GAL	T106	HEX LOCKNUT 1/2"	1	1
11	TOCD012134	T189	HEX HEAD CAP SCREW 1/2" X 1-3/4"	1	1
12	0000GRH045	T102	BEARING FITTING GREASE 45 DEG	2	2
13	0000BA20824	T175	DRUM TRUNNION BEARING KIT W/FITTING	2	2
14	SM00300INT	T177	DRUM TRUNNION RETAINING RING 3"	2	2
15	TOCL038112	T174	DRUM TRUNNION CARRIAGE BOLT 3/8" x 1-1/2"	8	8
16	0200SO01RJ	T115	DRUM DUMPING LOCK BAR	1	1
17	0200KI01TN	T172	DRUM HUB SEALS KIT (ONE END)	2	2
18	0200CO01TN	T173-2	4 HOLES DRUM TRUNNION FOR 3/8" HEX SCREWS	1	1
19	0200LA01TN	T169	DRUM HUB STEEL SEALS	2	2
20H	TOCD100412	N/A	BOLT HEXHD WELD SUPPORT 1 X 4-1/2" FOR HYD PISTON		2



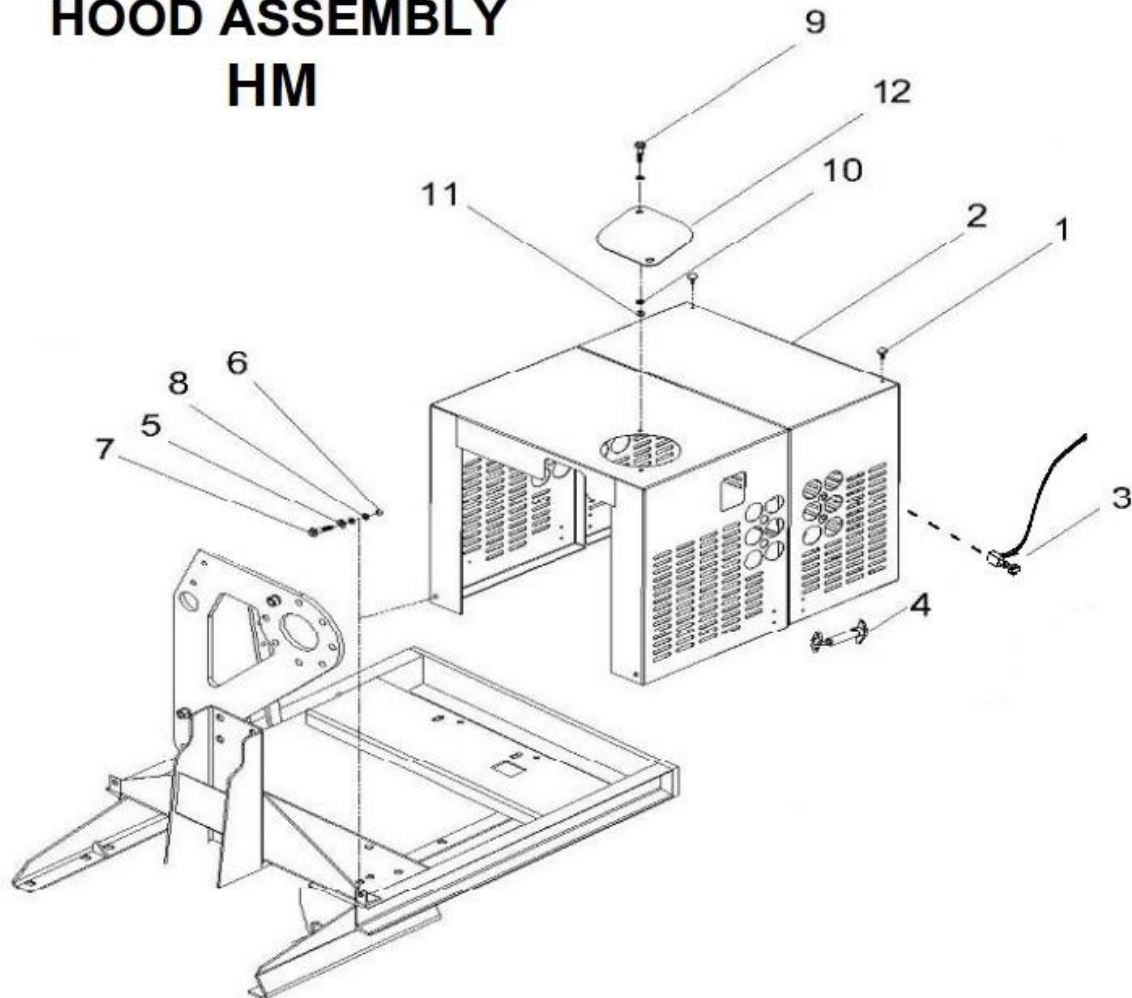
PADDLE ASSEMBLY					
ITEM	MANUF. #	PART #	DESCRIPTION	HM12	HM16
1	0222CC01CH	T741-1	SQUARE MAIN SHAFT 1-3/4" X 47-5/8" HM12 - HM16 <b>NEW DESIGN</b>	1	1
2	0200CO01AS-1	T306-2	CENTER PADDLE RIGHT ARM MM10 - HM12 - HM16 (1" THICKNESS)	1	1
3	0200CO02AS-1	T308-2	CENTER PADDLE LEFT ARM MM10 - HM12 - HM16 (1" THICKNESS)	1	1
4	0200CO03AS-1	T314-2	END PADDLE RIGHT ARM MM8 - MM10 - HM12 - HM16 (1" THICKNESS)	1	1
5	0200SO03AS-1	T309-2	END PADDLE LEFT ARM MM8 - MM10 - HM12 - HM16 (1" THICKNESS)	1	1
6	0222CO01SR	T713	END SCRAPER LEFT HM12 - HM16 (1" THICKNESS)	1	1
7	TOCD012312	N/A	HEX HEAD CAP SCREW 1/2" X 3-1/2" (1" THICKNESS PADDLES)	6	6
8	TCCS012GAL	T106	HEX LOCKNUT 1/2"	6	6
9	0200TU01FC	T413	MAIN SHAFT BUSHING	1	1
13	TOCD038200	T145	HEX HEAD SCREW 3/8" X 2"	4	4
14	RNPX038GAL	T112	PLAIN WASHER, 3/8"	40	40
15	0201RF01AS	T180	CENTER PADDLE RUBBER BLADE MM6 - MM12	4	4
16	0200SO01AS	T181	CENTER PADDLE STEEL BLADE 3/8" MM6 - MM12	4	4
17	TCCS038GAL	T114	LOCK NUT HEX, 3/8"	20	20
18	TOCD038112	T176	HEX HEAD SCREW 3/8" X 1-1/2"	18	18
19	0200RF02AS	T310	END PADDLE SIDE RUBBER BLADE MM8 - HM12	2	2
20	0200SO02AS	T311	END PADDLE SIDE STEEL BLADE MM8 - MM12	2	2
21	0222CO02SR	T714	END SCRAPER RIGHT HM12 - HM16 (1" THICKNESS)	1	1
<b>COMPLETE PADDLE/RUBBER KITS</b>					
22	0200KI03AS	T301	RUBBER BLADE KIT MM8-MM12-HM12	1	1
23	0200KI01AS-H12	T306-H12	COMPLETE PADDLE SET HM12 - HM16 (T306-1 + SCRAPERS) (1" THICKNESS)	1	1



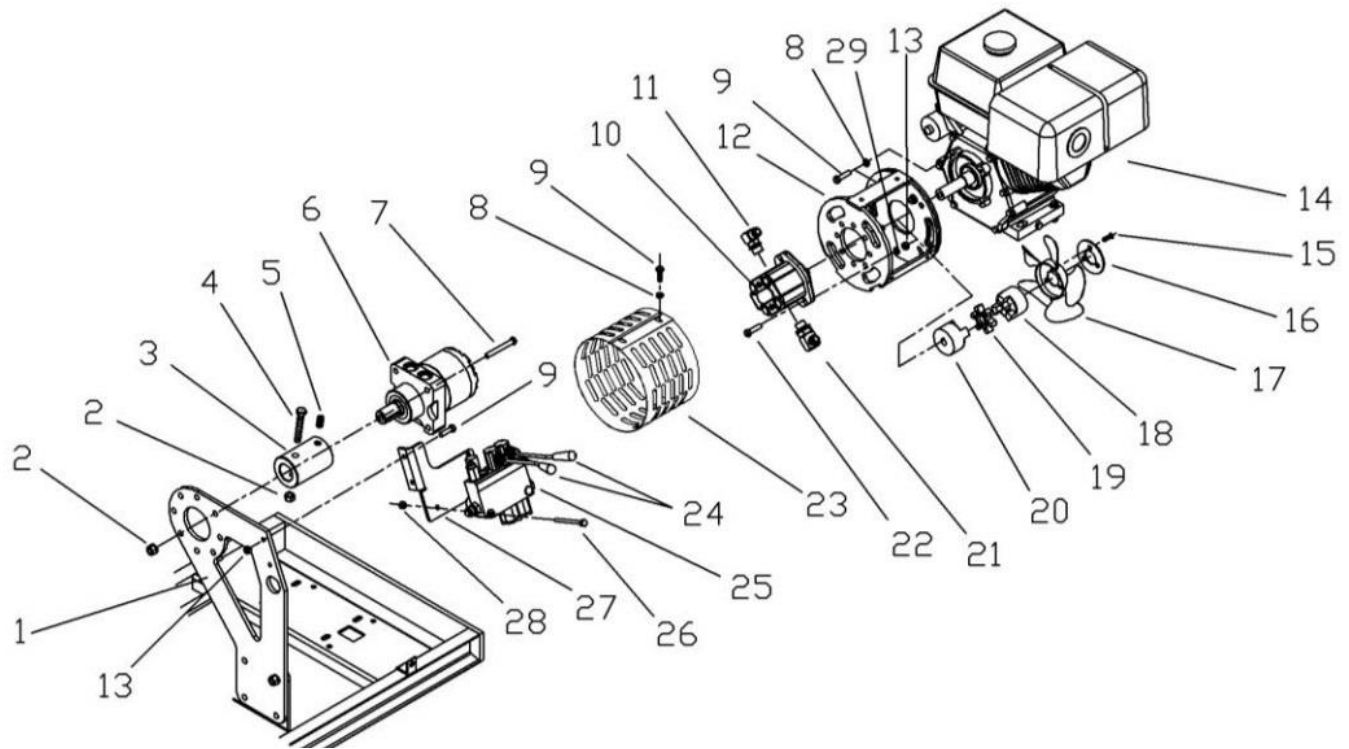
HM FRAME ASSEY					
#	MANUF. #	PART #	DESCRIPTION ENGLISH	HM12	HM16
1H		T707	FRAME HM12 - HM16	1	1
2H	CA03316GAL	T501	5/16" SAFETY CHAIN	1	1
3H	0000CO01LZ	T118	PINTLE HITCH (HORIZONTAL HOLE)	1	1
3H	0000CO03LZ	T118-V	PINTLE HITCH (VERTICAL HOLE)	1	1
3H	0000CO02LZ	T119	2" BALL HITCH (HORIZONTAL HOLE)	1	1
3H	0000CO04LZ	T119-V	2" BALL HITCH (VERTICAL HOLE)	1	1
3H	0219CO01LZ	T119-BD	BULL DOG HITCH (VERTICAL HOLE)	1	1
4H	SR00036EXT	T110	GRID/HITCH HAIR LOCK PIN 3/16"	1	1
5H	TCFN034GAL	T124	TOWING HITCH SAFETY HEX HEAD NUT 3/4"	1	1
6H	RNRX034GAL	T123	TOWING HITCH SAFETY LOCK WASHER 3/4"	1	1
7H	TOFD034312	T122	HEX HEAD SCREW 3/4" x 3-1/2"	1	1
8H	0000CR01LZ	T121	TOWING HITCH SAFETY PIN LOCK	1	1
9H	TCCS056GAL	T148	LOCK NUT HEX, 5/16	2	2
10H	TOCD056300	T201	BOLT HEX HD, 5/16 X 3"	2	2
11H		412167	SPACER	4	4
12H		412902	HYDRAULIC OIL COOLER 4FZ0801C-7.5 X 7.5	1	1
13H		412810	REACTION ARM	1	1
14H	TCCN012GAL	T190	NUT 1/2"	1	1

15H	0220FG02AC	T684	LEVER ARM	1	1
16H	00PE056112	T683	SPR PIN SI 5/16 x 1-1/2 NC	2	2
17H	00CHPI2300	T101	DRUM PILLOW BLOCK	2	2
18H	0000GRH045	T102	BEARING FITTING GREASE 45 DEG	2	2
19H	TOCD012212	T104	HEX HEAD CAP SCREW 1/2" x 2-1/2"	4	4
20H	RNPX012GAL	T105	PLAIN WASHER 1/2"	17	17
21H	TCCS012GAL	T106	HEX LOCKNUT 1/2"	9	9
22H	TOCD038100	T116	HEX HEAD SCREW 3/8 x 1 NF	3	3
23H	RNRX038GAL	T113	LOCK WASHER, 3/8"	3	3
24H	TCCS038GAL	T114	LOCK NUT HEX, 3/8"	3	3
25H		412915	CYLINDER HYD 2" x 10"	1	1
26H	SC018112GAL	135990	PIN COTTER 3/16 x 1-1/2"	2	2
27H		412855	CYLINDER PIN 1 X 6.5"	1	1
28H	0224CO01RD	T425	HYD MIXER AXLE NO HUBS	1	1
28H	0224CO01RD-1	T-425-1	HYD MIXER AXLE W/ HUBS	1	1
29H	0200KI03RD	T129-1	HIGH SPEED WEELS AXLE HUBS ASSEY WITH DUST CAP (4 BOLTS) (NEW STYLE)	2	2
30H	0000CO01RD	T137	WHEEL AND TIRE ASSEY 165-80-R13" MM8 - MM12	2	2
31H	0000RF10RD	T136-1	HIGH SPEED WHEELS HUB, DUST CAP (NEW STYLE)	2	2
32H		412948	HYD TANK FITTING	1	1
33H		412919	ADAPTER 90° #8JICFEM/#8JIC ML	1	1
34H	ASK FOR #		BREATHER FILTER-BF-12P-5 10MIC	1	1
35H		HF6056	HYD FILTER (OPTIONAL)	1	1
36H		485115	SCREEN, SUCTON - 100 MESH 1" NPT	1	1
37H	0224CO01AT		RESERVOIR OIL ASSEMBLY	1	1

## HOOD ASSEMBLY HM

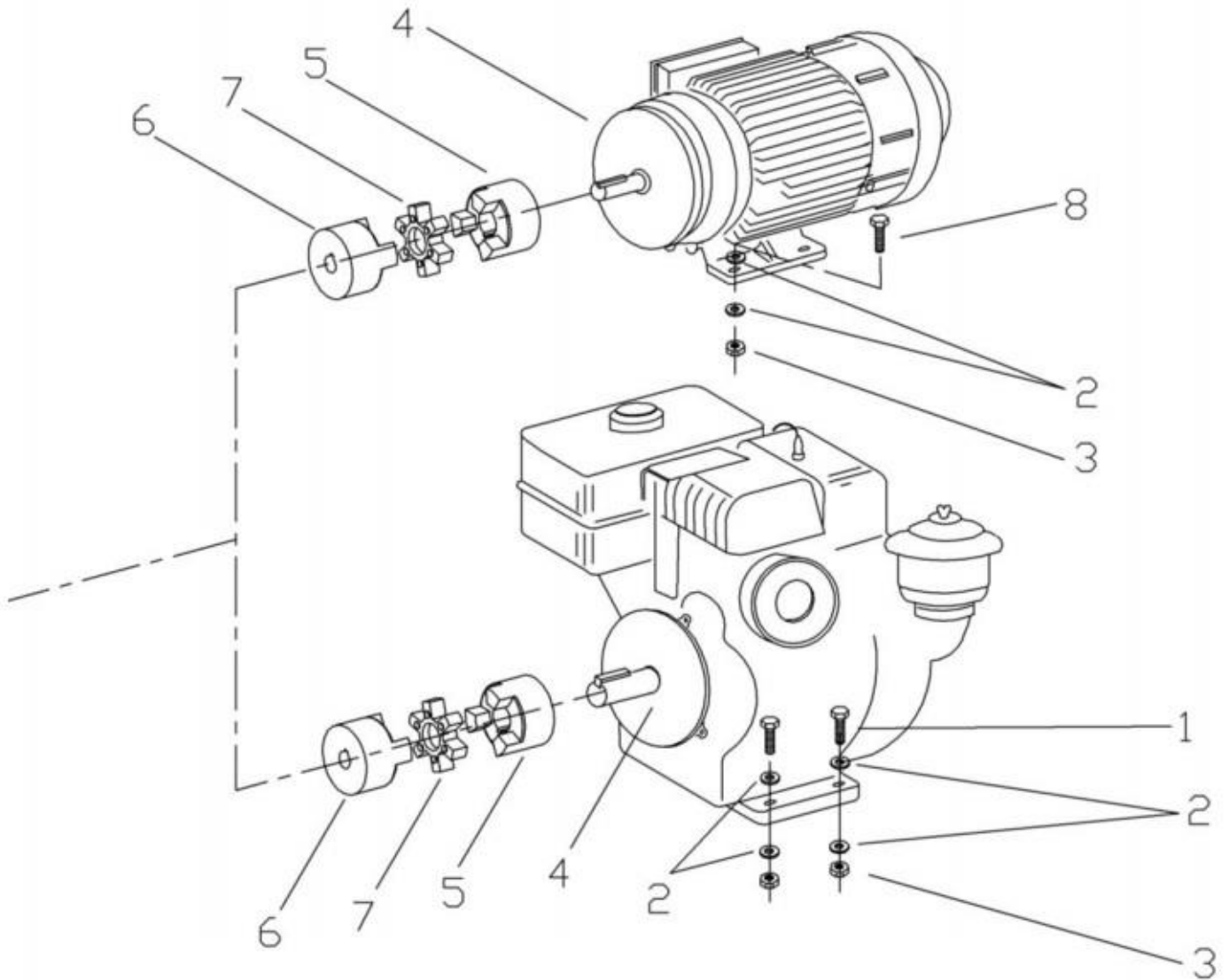


HOOD ASSEMBLY BREAK DOWN					
#	MANUF. #	PART #	DESCRIPTION	HM12	HM16
1	0000RF01GA	T158	SHROUD RUBBER SCREW	4	4
2	0222CO01GA	T686	SQUARE SHROUD ASSEY COMPLETE HM12-HM16	1	1
3	0200KI01GA	T193	SHROUD ASSEMBLY PUSH STOP WITH ENGINE HARNESS	1	1
3	0000RF04GA	T195	ENGINE KILL SWITCH (NO HARNESS)	1	1
4	0000RF02GA	T160	SHROUD SPRING LOADED HOOK ASSEMBLY	2	2
5	RNPX038GAL	T112	PLAIN WASHER, 3/8"	8	8
6	TCCS038GAL	T114	LOCK NUT HEX, 3/8"	4	4
7	TOCD038112	T176	HEX HEAD SCREW 3/8" X 1-1/2"	4	4
7H	TOCD038114		BOLT HEX HD 3/8 x 1-1/4"	4	4
8H	RNPX012ESP		PLAIN WASHER 1/2"	4	4
9H	RNPX056GAL		PLAIN WASHER 5/16"	4	4
10H	TCCS056GAL	T148	HEX LOCK NUT 5/16"	2	2
11H	TOCD056100		HEX BOLT HD, 5/16" x 1"	2	2
12H	ASK FOR #		ENGINE SHROUD LID ACCESS	1	1



TRANSM. ASSEY HM					
#	MANUF. #	PART #	DESCRIPTION	HM12	HM16
1H		412810	REACTION ARM	1	1
2H	TCCS012GAL	T106	HEX LOCKNUT 1/2"	5	5
3H	TK	701002	COUPLER, 1.5" W/PIN 1.5" W/KEY (3-3/4" LONG)	1	1
4H	TOCD012400	401006	BOLT 1/2" X 4" GR5	1	1
5H	OPCR056038	228028	ALLEN SCREW 5/16" X 3/8"	1	1
6H		412950	HYD MOTOR 32.7 IN3/REV	1	1
7H	TOCD012212	226690	HEX BOLT HD 1/2" X 2-1/2"	4	4
8H	RNRX038GAL	T113	SPRING WASHER 3/8"	6	6
9H	TOCD038100	T116	HEX BOLT 3/8 X 1"	8	8
10H		412927	HYD PUMP .366 IN3 REV, GAS ENGINE	1	1
10H		412928	HYD PUMP .659 IN3 REV, ELEC MOTOR	1	1
11H		412926	ADAPTER, 90°#10 ORB MALE ~ #10 JIC	1	1
12H		412800	PUMP MOUNT W.A. "A" FLANGE	1	1
12H	1017CO01PM	702008	PUMP MOUNT W.A. ELECTRIC MOTOR	1	1
13H	TCCS038GAL	T114	HEX LOCK NUT 3/8"	4	4

14H	202013M	N/A	HONDA ENGINE GX390	1	1
15H		142532	SHCS 5/16 X 3/4, CSK	3	3
16H		412815	2" BCD FAN COLLAR	1	1
17H		412851	8" CCW FAN	1	1
18H		N/A	ENGINE COUPLER, SEE ENGINE OPTIONS	1	1
19H		N/A	COUPLER INSERT, SEE ENGINE OPTIONS	1	1
20H		N/A	HYD PUMP COUPLER, SEE OPTIONS	1	1
21H		412920	ADAPTER 90° #12 ORB MALE #10 JIC	1	1
22H	TOCD038200	226250	HEX BOLT, 3/8 X 2"	2	2
23H		412820	GUARD 9" DIAMETER	1	1
*	1017LA01PM	702009	ELECTRIC MOTOR GUARD	1	1
24H		485704	VALVE CONTROL LEVER	2	2
25H		412914	2 SPOOL PRESS COMP VALVES	1	1
26H	TOCD056300	701009	HEX BOLT HD 5/16 X 3"	2	2
27H		412818	VALMO MOUNTING BRACKET	1	1
28H	TCCS056GAL	227821	LOCK NUT 5/16"	2	2
29H		174986	PLAIN WASHER 3/8"	4	4



ENGINE ASSEY BREAK DOWN					
#	MANUF. #	PART #	DESCRIPTION	HM12	HM16
1	TOCD038134	226240	BOLT, HEXHD, 3/8 X 1-3/4	4	4
2	RNPX038GAL	174986	WASHER, PLAIN 3/8"	8	8
3	TCCS038GA	227830	NUT, HEX, LOCK, 3/8"	4	4
4	202012M	T304	ENG. HON, 13HP, GX390K1QA6	1	1
5		412856	COUPLER, L100 X 1" DIA.	1	1
4		219991	MOTOR, 5 HP, 1-115/230, EXT SHAFT	1	1
5		412859	COUPLER, L100 X 1.125" DIA.	1	1
4		219993	MOTOR, 7.5 HP, 3-575, EXT SHAFT, 1" C FI	1	1
5		412871	COUPLER, L100 X 1.375" DIA.	1	1
4		219999	MOTOR, 7.5 HP, 1-115/230, 1" C FLG	1	1
5		412871	COUPLER, L100 X 1.375" DIA	1	1
4		220000	MOTOR, 7.5 HP, 3-239/460, EXT SHAFT	1	1
5		412871	COUPLER, L100 X 1.375" DIA	1	1
6		412853	COUPLER, L100 X 5/8" DIA. ELEC MOTOR	1	1
6		702007	COUPLER, L100 X 3/4" DIA. GAS ENGINE	1	1
7		412854	INSERT, L099-100U BLUE	1	1
8	TOCD038100	226210	BOLT, HEX HD, 3/8 X 1"	4	4

HYD HOSES & FITTINGS					
#	MANUF. #	PART #	DESCRIPTION	HM12	HM16
1	ASK FOR #	412858	VALVE DENT KIT	1	1
2	ASK FOR #	412903	RESERVOIR TO PUMP BUTTOM HOSE 3/4 X 16" #10 JIC ~ #10 JIC	1	1
3	ASK FOR #	412904	VALVE TO PUMP SIDE HOSE, 1/2 X 18" #10 JIC ~ #10 JIC	1	1
4	ASK FOR #	412905	VALVE TO CYLINDER HOSE, 3/8 X 72" #6 JIC ~ #6 JIC	2	2
5	ASK FOR #	412906	VALVE TO MOTOR HORSE, 1/2 X 24" #10 JIC ~ #10 JIC	2	2
6	ASK FOR #	412907	VALVE & FILTER HOSE, 1/2 X 18" #8 JIC ~ #8 JIC	2	2
7	ASK FOR #	412909	CYLINDER VALVE ADAPTER 90° #4 NPT ~ #6 JIC	2	2
8	ASK FOR #	412910	VALVE ADAPTER, #8 ORB ~ #10 JIC	2	2
9	ASK FOR #	412911	VALVE ADAPTER, #12 ORB ~ #8 JIC	1	1
10	ASK FOR #	412912	FILTER ADAPTER, 45° #8 NPT ~ #8 JIC	1	1
11	ASK FOR #	412913	RESERVOIR BUTTOM, 45° #8 NPT ~ #10 JIC	1	1
12	ASK FOR #	412916	VALVE ADAPTER, #8 ORB ~ #6 JIC	2	2
13	ASK FOR #	412917	VALVE ADAPTER, PLUG #10	1	1
14	ASK FOR #	412918	VALVE ADAPTER, PLUG #8	1	1
15	ASK FOR #	412919	FILTER ADAPTER, 90° #8 JIC FERN ~ #8 JIC MALE	2	2
16	ASK FOR #	412922	HYD MOTOR ADAPTER, 45° #10 ORB ~ #10 JIC	2	2
17	ASK FOR #	412925	VALVE ADAPTER, HYD #8 ORB ~ #8 JIC	1	1
18	ASK FOR #	412932	RESERVOIR FITTING, PLUG, #8 NPT	2	2
19	ASK FOR #	485104	VALVE ADAPTER, 90° #10 JIC FERN ~ #10 JIC MALE	1	1
20	ASK FOR #	485115	RESERVOIR SCREEN, SUCTON - 100 MESH 1" NPT	1	1

**Octavio Chavez**

North America Sales Manager

[manager@tkequip.com](mailto:manager@tkequip.com)

[www.tkequip.com](http://www.tkequip.com)



**Phone Line: (956) 796-9411**

**Fax: (956) 462-2500**

**Jaime Ortiz**

Parts & Customer Service

[parts@btmequipment.com](mailto:parts@btmequipment.com)

[service@btmequipment.com](mailto:service@btmequipment.com)