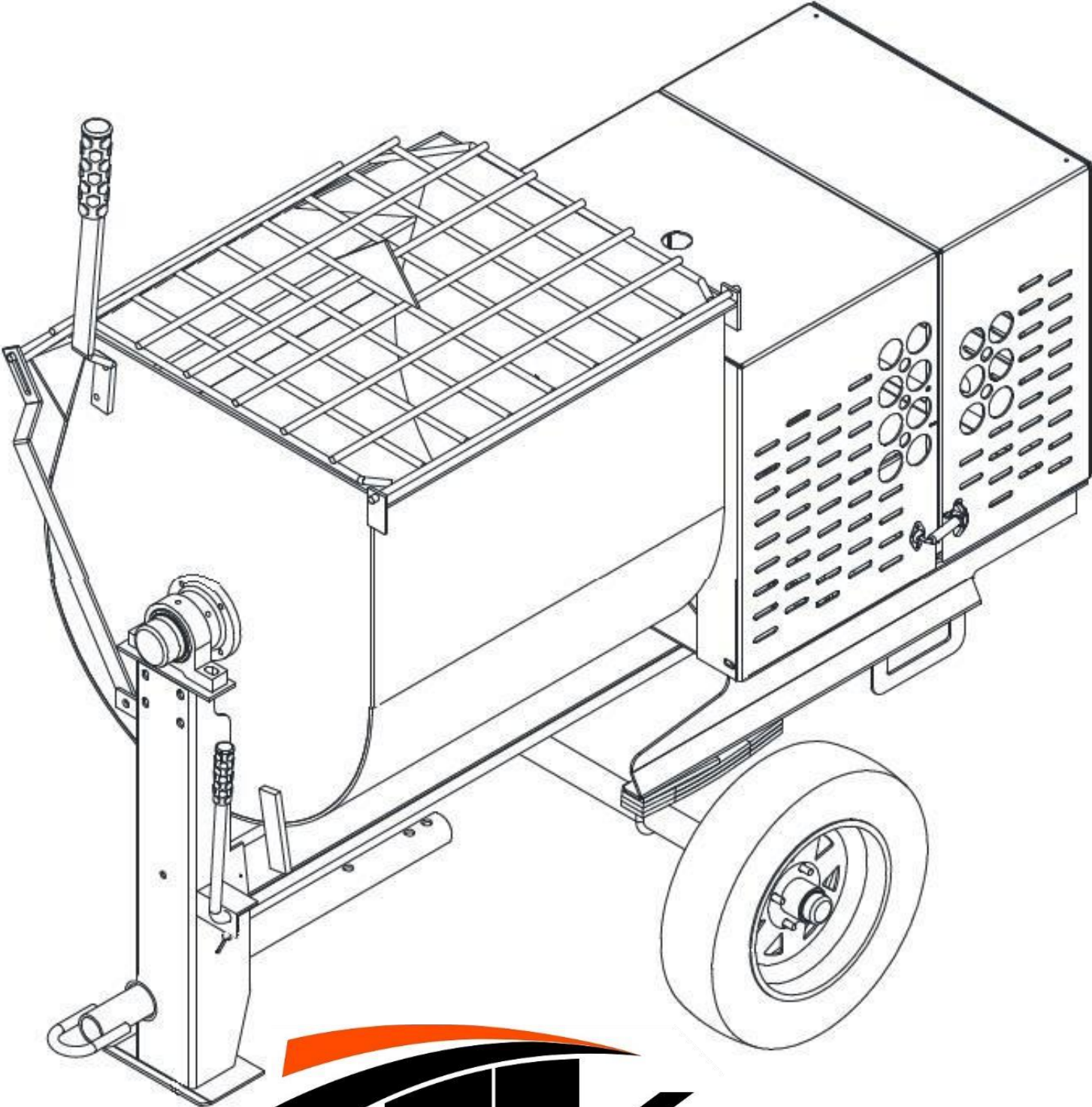
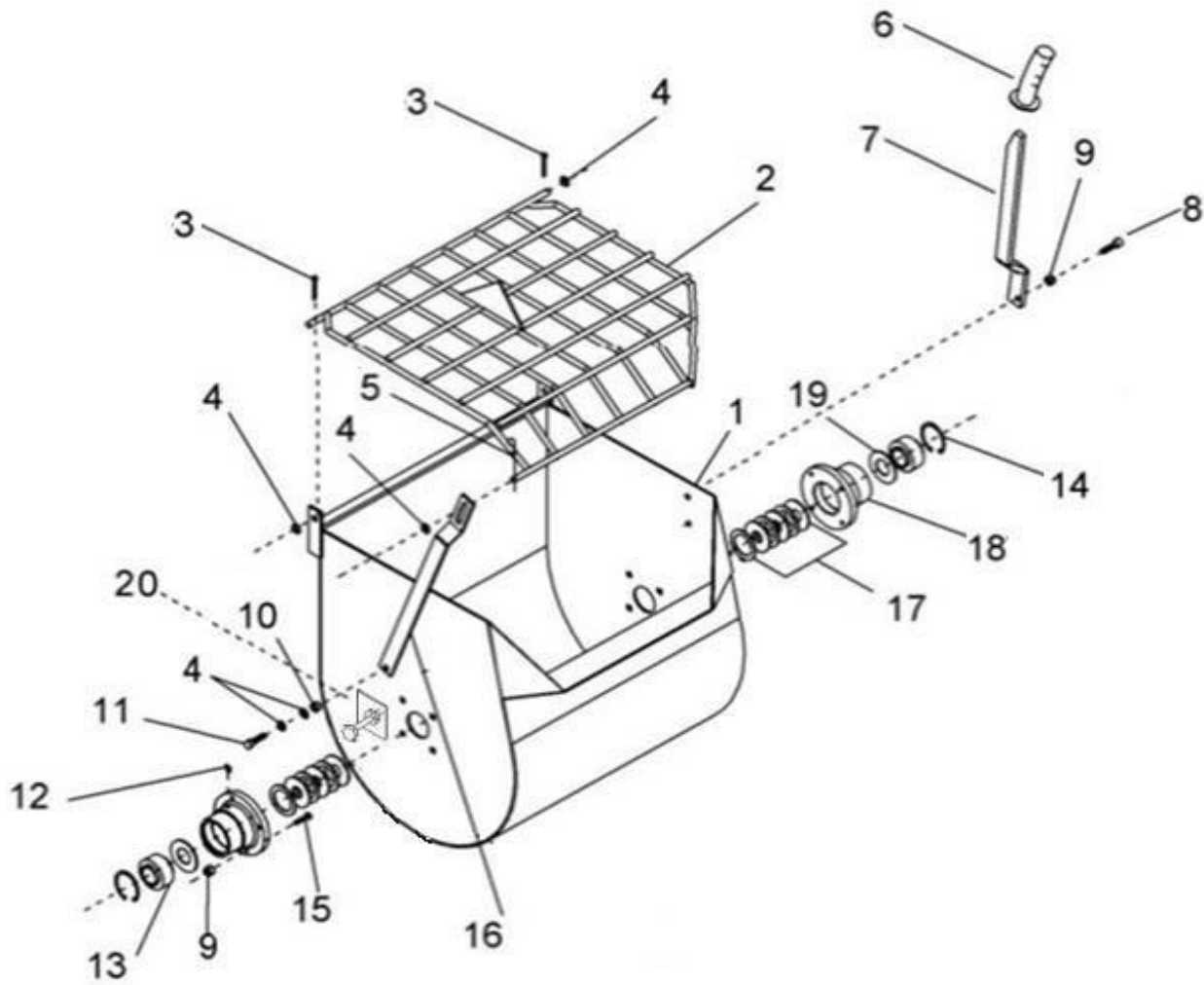


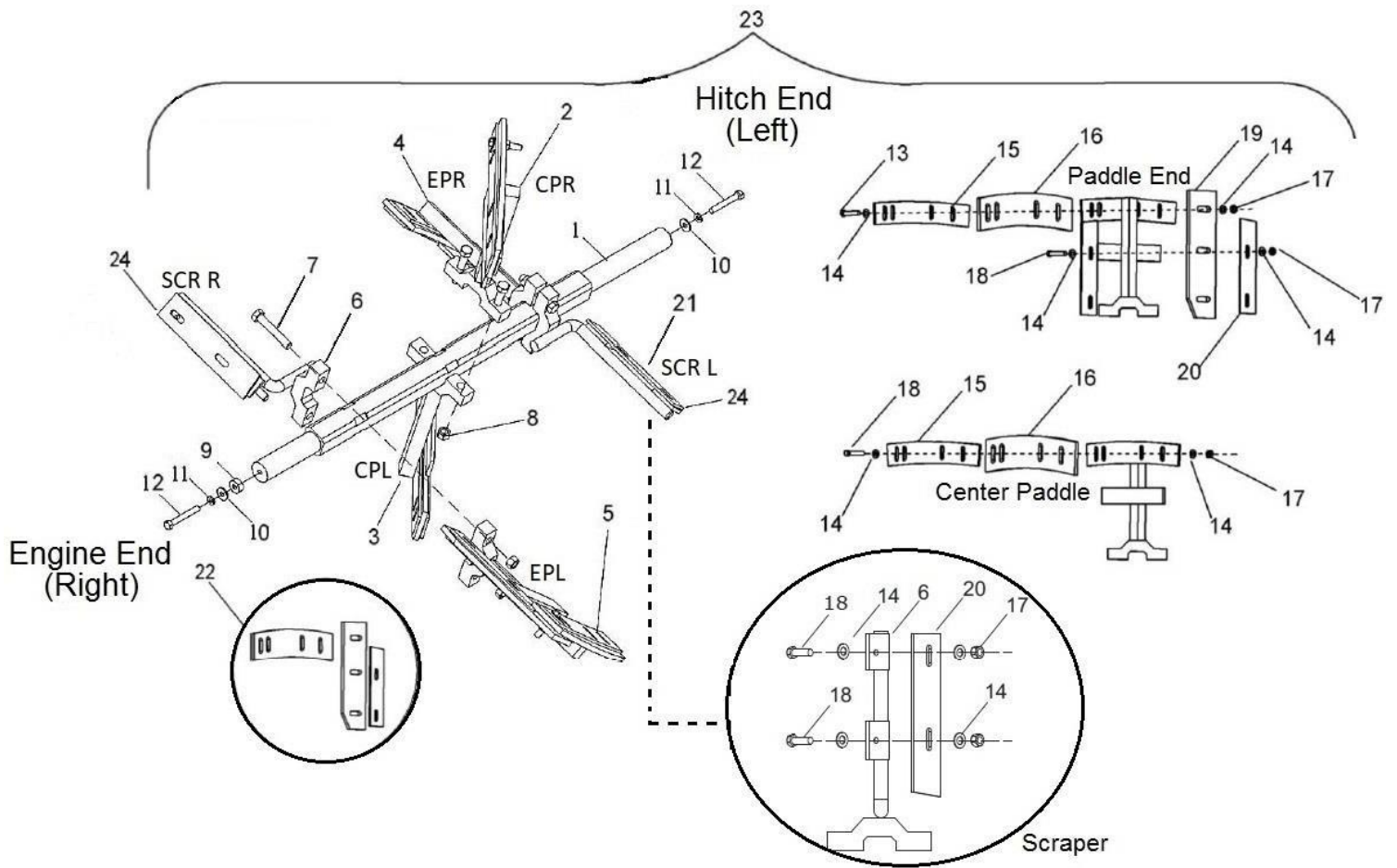
HM12 – HM16

PARTS BREAKDOWN (LIST PRICE)





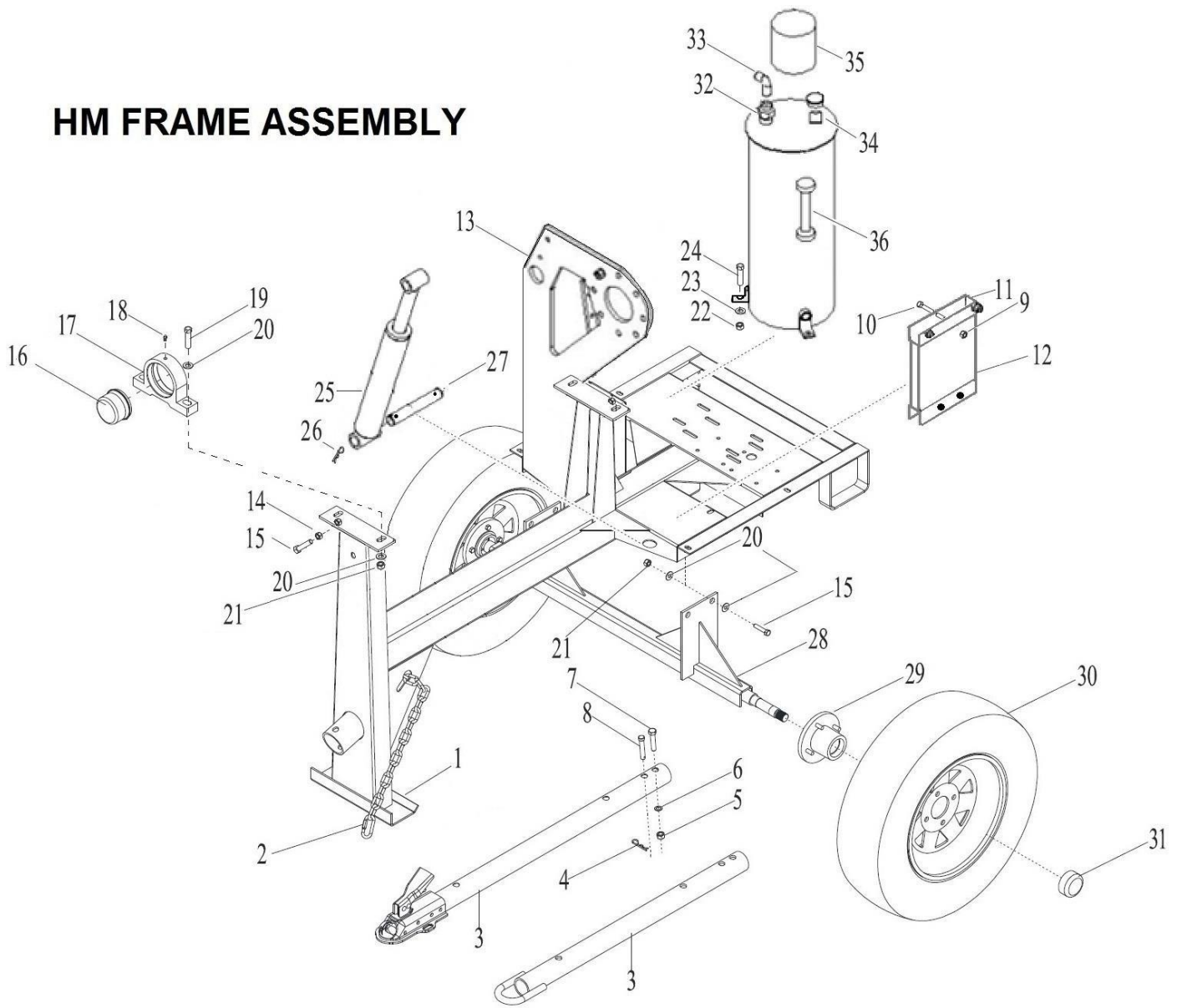
DRUM ASSEY BREAK DOWN						
ITEM	SKU #	PART #	DESCRIPTION	HM12	HM16	PRICELIST
1	0224CO01TQ	T711	DRUM HM12 40" - T711 (NEW)	1		\$1,200.00
1	0222CO01TQ	T811	DRUM HM16 43" - T811 (NEW)		1	\$1,250.00
1	0224KI01TQ	T700	DRUM ASSEMBLY COMPLETE HM12 40" - T700 (NEW)	1		\$1,800.00
1	0222KI01TQ	T800	DRUM ASSEMBLY COMPLETE HM16 43" - T800 (NEW)		1	\$1,850.00
2		T605	DRUM GRID W/ BAG CUTTER HM12 - T605	1		\$250.00
2	0222CO03RJ	T723	DRUM GRID W/ BAG CUTTER HM16		1	\$275.00
3	CHA 316 2	T111	GRID PIN COTTER, 3/16" X 2" - SC3116200GAL - T111	2	2	\$1.25
4	RNPX012GAL	T105	PLAIN WASHER 1/2" - T105	5	5	\$1.25
5	0111SR01LZ	T110	GRID/HITCH HAIR LOCK PIN 3/16" - T110	3	3	\$1.25
6	0000RF01RJ-1	T166-1	DRUM DUMPING HANDLE GRIP - 139350 - T166-1 (FLAT)	1	1	\$12.00
7	0200CO01TQ	T168	DRUM DUMPING HANDLE W/ GRIP - T168	1	1	\$20.00
8	TOCD038112	T176	HEX BOLT 3/8" X 1-1/2" - T176 - C141 - 226230	2	2	\$1.25
9	TCCS038GAL	T114	HEX LOCK NUT 3/8" - 227830 - T114 - C142	8	8	\$1.25
10	TCCS012GAL	T106	HEX LOCK NUT 1/2" - T106 - 227854 - C304	1	1	\$1.25
11	TOCD012134	T189	HEX BOLT HD 1/2" X 1 3/4" - T189 - 226660	1	1	\$3.00
12	0000GRH045	T102	DRUM BEARING, GREASE FITTING 45 DEG - T102 - 110689	2	2	\$2.50
13	0000BA20824	T175	BALL BEARING, 1746208-108 - 110450 - T175 (W/O GRS FITTING)	2	2	\$30.00
14	SM00300INT	T177	DRUM TRUNNION RETAINING RING 3" - T177	2	2	\$6.47
15	TOCL038112	T174	CARRIAGE BOLT 3/8" X 1-1/2" GR2 ZP - 117771 - 117771 - T174	8	8	\$1.25
16	0204SO01RJ	T589	MM12 DRUM DUMPING LOCK BAR - T589	1	1	\$20.00
17	0200KI01TN	T172	DRUM HUB SEALS KIT (ONE END) - T172	2	2	\$25.00
18	0200CO01TN	T173-2	TRUNNION 4 HOLES FOR 3/8" SCREWS - T173-2	1	1	\$65.00
19	0200LA01TN	T169	DRUM HUB STEEL SPACER - T169	2	2	\$3.00
20	TOCD100412	N/A	HEX BOLT HD, 1 X 4-1/2" W/ WELD SUPPORT FOR HYD PISTON	1	1	\$8.00



PADDLE ASSEMBLY						
ITEM	SKU #	PART #	DESCRIPTION	HM12	HM16	LISTPRICE
1	0222CC01CH	T741	SQUARE MAIN SHAFT 1-3/4" X 52-3/4" HM12 (NEW DESIGN) - T741 (FOR PIN)	1		\$190.00
	0206CC01CH		SQUARE MAIN SHAFT 1-3/4" X 55-1/4" HM16 NEW (FOR PIN)		1	\$190.00
2	0200CO01AS-1	T306-2	CENTER PADDLE RIGHT ARM MM8/MM10/HM12/HM16 (1" GRIP) - T306-2	1	1	\$70.00
3	0200CO02AS-1	T308-2	CENTER PADDLE LEFT ARM MM8/MM10/HM12/HM16 (1" GRIP) - T308-2	1	1	\$70.00
4	0200CO03AS-1	T314-2	HITCH END, END PADDLE RIGHT ARM MM8/MM10/HM12/HM16 (1" GRIP) - T314-2	1	1	\$90.00
5	0200SO03AS-1	T309-2	ENGINE END, END PADDLE LEFT ARM MM8/MM10/HM12/HM16 (1" GRIP) - T309-2	1	1	\$90.00
6	0222CO01SR	T713	ENGINE END, END SCRAPER LEFT HM12 - HM16 (1" GRIP) - T713	1	1	\$45.00
7	TOCD012312	N/A	HEX BOLT HD 1/2 X 3-1/2 (1" GRIP PADDLES) - 120520 - 226745	6*	6*	\$4.24
8	TCCS012GAL	T106	HEX LOCK NUT 1/2" - T106 - 227854 - C304	6	6	\$1.25
9	0200TU01FC	T413	MAIN SHAFT BUSHING - T413	1	1	\$15.00
13	TOCD038200	T145	HEX BOLT HD, GR5 3/8" X 2" - 226250 - T145- C158	4	4	\$1.25
14	RNPX038GAL	T112	PLAIN WASHER 3/8" - T112 - C139 - 174986 - 701032 - C140	40	40	\$1.08
15	0201RF01AS	T180	CENTER PADDLE RUBBER BLADE MM6-MM12 - T186 - T307 - T312	4	4	\$10.00
16	0200SO01AS	T181	CENTER PADDLE STEEL BLADE MM6 - MM12 - T181 - T187 - T313	4	4	\$12.35
17	TCCS038GAL	T114	HEX LOCK NUT 3/8" - 227830 - T114 - C142	20	20	\$1.25
18	TOCD038112	T176	HEX BOLT 3/8" X 1-1/2" - T176 - C141 - 226230	18	18	\$1.25
19	0200RF02AS	T310	END PADDLE SIDE RUBBER BLADE MM8/MM10/HM12/HM16 - T310	2	2	\$12.00
20	0200SO02AS	T311	END PADDLE SIDE STEEL BLADE MM80/MM12 - T311	2	2	\$12.00
21	0222CO02SR	T714	HITCH END, END SCRAPER RIGHT HM12/HM16 (1" GRIP) - T714	1	1	\$45.00
22	0200KI03AS	T301	RUBBER BLADE KIT MM8-MM12-HM12	1	1	\$75.00

COMPLETE PADDLE/RUBBER KITS						
#	SKU #	PART #	DESCRIPTION	HM12	HM16	PRICELIST
23	0200KI01AS-H12	T306-H12	COMPLETE PADDLE SET HM12 - HM16 (T306-1 + SCRAPERS) (1" GRIP) - T306-H12	1	1	\$550.00
*	0205KI01ES	T742	HM12S SPIRAL BLADE KIT - T742	1		\$500.00
*	0206KI01ES	T761	HM16S SPIRAL BLADE KIT - T761		1	\$500.00

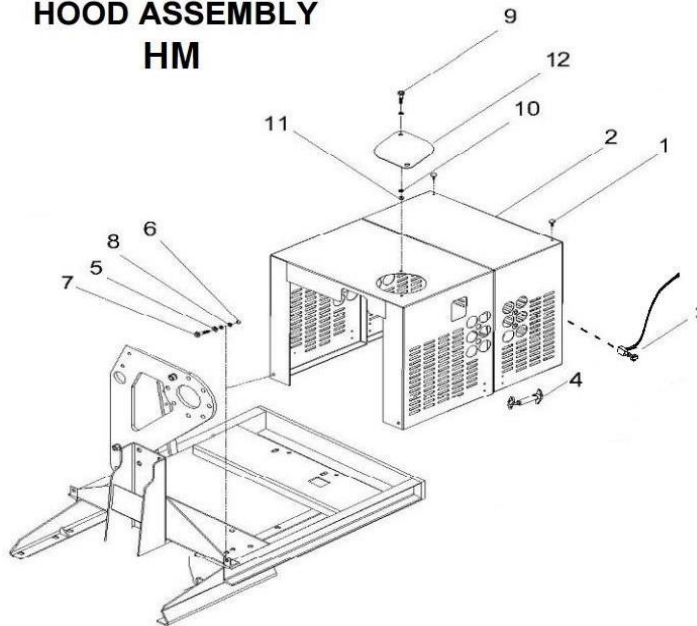
HM FRAME ASSEMBLY



HM FRAME ASSEY						
#	SKU #	PART #	DESCRIPTION ENGLISH	HM12	HM16	LISTPRICE
1H	ASK FOR #	T707H	FRAME HM12 - T707	1		\$2000.00
1H	ASK FOR #	T707-H16	FRAME HM16 - T707-1		1	\$2000.00
2H	CAD3516GAL	T501	5/16 SAFETY CHAIN W/ OVAL SNAPS T501 - 609686 - 701012 - CA03316GAL	1	1	\$50.00
3H	0000CO03LZ	T118-V	PINTLE HITCH VERTICAL HOLE - 702069 - T118 - C193	1	1	\$80.00
3H	0000CO04LZ	T119-V	2" BALL HITCH VERTICAL HOLE - 702070 - T119	1	1	\$80.00
3H	0219CO01LZ	T119-BD	BULLDOG HITCH T119-BD (VERTICAL HOLE) - T119-BD	1	1	\$100.00
4H	0111SR01LZ	T110	3/6" COTTER PIN CP-85H - SR00036EXT - T110 - 134955	1	1	\$1.08
5	TCFN058GAL	T124-1	TOWING HITCH, HEX NUT, 5/8 NF - T124-1 - 701033	1	1	\$5.00
6	RNRX058GAL	T123-1	TOWING HITCH, SPRING WASHER 5/8" - T123-1 - 701032	1	1	\$3.00
7	TOFD058312	T122-1	TOWING HITCH, HEX HEAD SCREW 5/8" X 3-1/2" - T122-1 - 701035	1	1	\$3.00
8	TOFD058312-A	T121-1	TOWING HITCH, LOCK PIN - T121-1 - 701031	1	1	\$10.00
9	TCCS056GAL	T148	HEX LOCK NUT 5/16" - T148 - 227821	2	2	\$1.25
10H	TOCD056300	T201	HEX BOLT HD 5/16" X 3" - 701009 - T201	2	2	\$1.08
11H	ASK FOR #	412167	SPACER, 6PR-8P/HM12-HM16	4	4	\$1.48
12H	ASK FOR #	412902	HYDRAULIC OIL COOLER 4FZ0801C-7.5 X 7.5	1	1	\$233.20
13H	ASK FOR #	412810	ARM, REACTION 12SH-S16SH/HM12-HM16	1	1	\$84.40
14H	TCCN012GAL	T190	HEX LOCK NUT 1/2" - T190 - C178 (WELDED TO THE FRAME)	1	1	\$0.00
15H	O220FG02AC	T684	ARM, LEVER 6SR-S12S/MM12G (R3) LEVER ARM - T684 - 496049	1	1	\$17.63
16H	00PE056112	T683	PIN SPR SL STD 5/16 X 1 - 1/2" - 135282 - T683	2	2	\$1.70
17H	00CHPI2300	T101	3" DRUM PILLOW BLOCK - T101	2	2	\$25.00

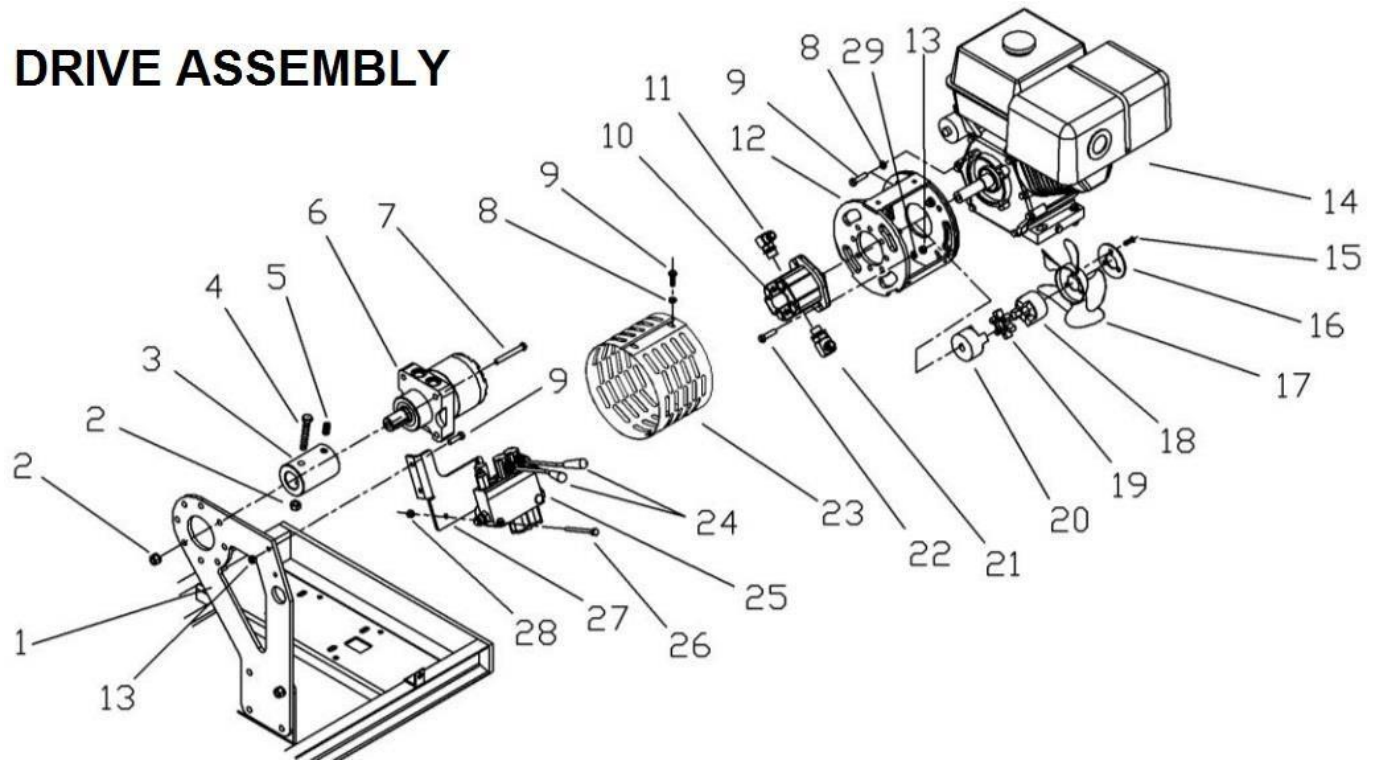
18H	0000GRH045	T102	DRUM BEARING, GREASE FITTING 45 DEG - T102 - 110689	2	2	\$2.50
19H	TOCD012212	T104	HEX BOLT HD 1/2" X 2-1/2" - T104 - C146 - 226690	4	4	\$1.25
20H	RNPX012GAL	T105	PLAIN WASHER 1/2" - T105 - C172 - 174470	17	17	\$2.12
21H	TCCS012GAL	T106	HEX LOCK NUT 1/2" - T106 - 227854 - C304	9	9	\$1.25
22H	TOCD038100	C138	HEX BOLT 3/8 X 1 - C138	3	3	\$1.08
23H	RNRX038GAL	T113	LOCK WASHER 3/8 T113 - C144 -176230	3	3	\$1.08
24H	TCCS038GAL	T114	HEX LOCK NUT 3/8" - 227830 - T114 - C142	3	3	\$1.25
25H	412915	T722	CYLINDER, HYD 2" X 10" - T722 - 412915	1	1	\$326.48
26H	SC018112GAL	135990	PIN, COTTER 3/16 X 1-1/2" - 135990	2	2	\$1.08
27H	ASK FOR #	412855	CYLINDER PIN 1 X 6.5" - 412855	1	1	\$26.50
28H	0224CO01RD	T425	AXLE NO HUBS FOR HYD MIXER - T425	1	1	\$250.00
28H	0224CO01RD-1	T-425-1	AXLE WITH HUBS FOR HYDRAULIC MIXER HM12/HM16 - T425-1	1	1	\$300.00
29H	0200KI03RD	T129-1	WHEEL HUB W/ 1" BRG L44643 & DUST CAP - 702071 - T129 - C135 (NEW STYLE)	2	2	\$75.00
30H	0000CO01RD	T137	WHEEL & TIRE ASSY 165-80 R13" - T137 - 431081 - C136	2	2	\$115.00
31H	0000RF10RD	T136-1	HIGH SPEED WHEELS HUB, DUST CAP (NEW STYLE) - T136-1	2	2	\$8.00
32H	ASK FOR #	412948	HYD TANK FITTING	1	1	\$20.00
33H	ASK FOR #	412919	ADAPTER 90° #8JICFEM/#8JIC ML	1	1	\$25.31
34H	ASK FOR #		BREATHER FILTER-BF-12P-5 10MIC	1	1	\$0.00
35H	ASK FOR #	HF6056	HYD FILTER (OPTIONAL) - HF6056	1	1	\$35.23
36H	ASK FOR #	485115	SCREEN, SUCTION - 100 MESH 1" NPT	1	1	\$32.75
37H	0224CO01AT	412801	RESERVOIR OIL ASSEMBLY (4 GALLONS)	1	1	\$960.36

HOOD ASSEMBLY HM

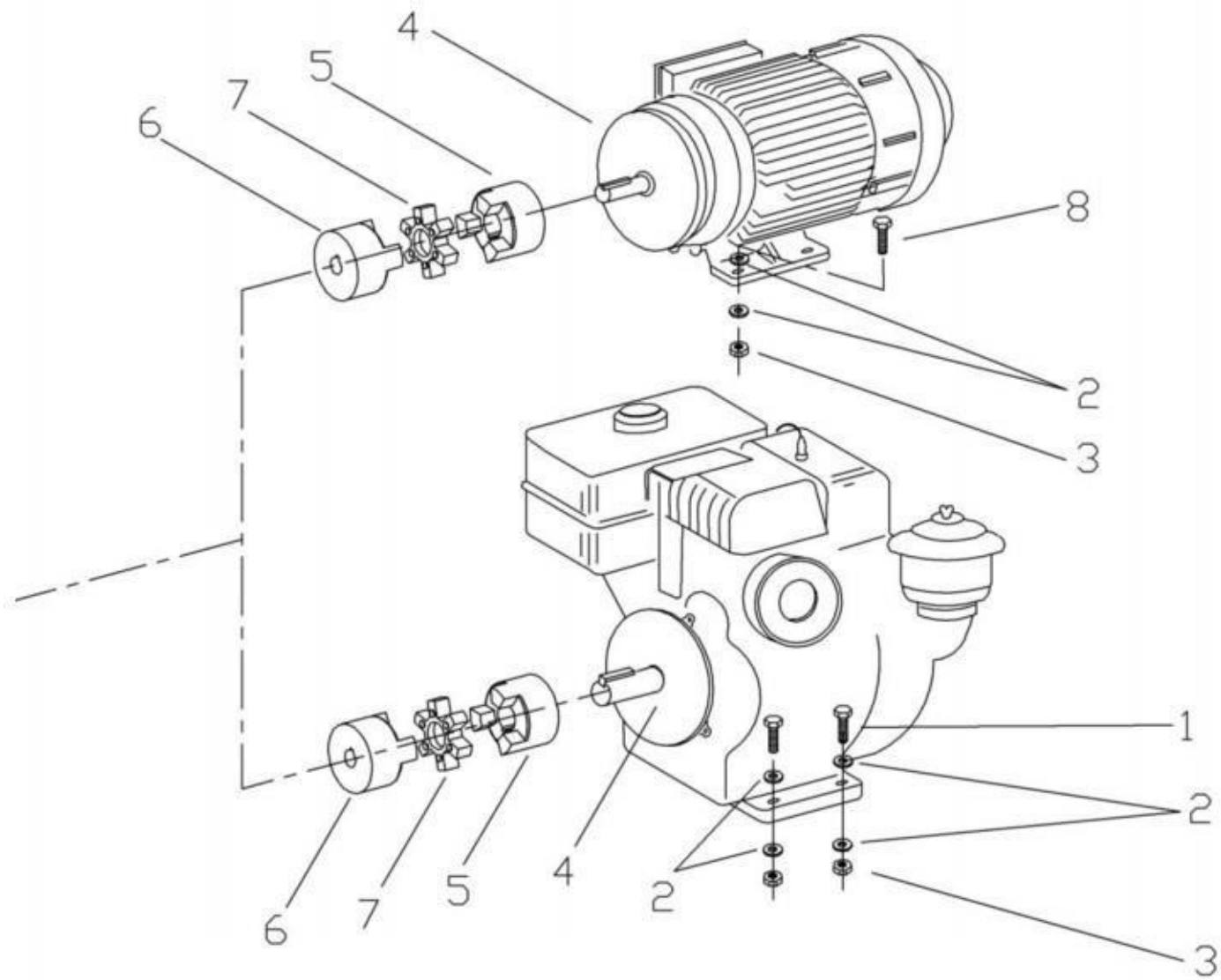


HOOD ASSEMBLY						
#	MANUF. #	PART #	DESCRIPTION	HM12	HM16	LISTPRICE
1	0000RF01GA	T158	RUBBER SCREW 1/4" FOR SHROUD - T158 - C159 - 201544	4	4	\$3.15
2	0222CO01GA	T686	HM12-HM16 SQUARE SHROUD ASSEY COMPLETE - T686	1	1	\$450.00
3	0200KI01GA	T193	ENGINE KILL SWITCH ASSEY RED (WITH HARNESS) 701007 - T193	1	1	\$29.00
3	0200KI01GA	T195-1	ENGINE N.O KILL SWITCH RED (NO HARNESS) - 816769AS - 112500 - T195-1 - 290100	1	1	\$18.00
4	0000RF02GA	T160	SHROUD HOOK ASSEMBLY - T160 - C161 - 701004 - 201543	2	2	\$12.00
5	RNPX038GAL	T112	PLAIN WASHER 3/8" - T112 - C139 - 174986 - 701032 - C140	8	8	\$1.08
6	TCCS038GAL	T114	HEX LOCK NUT 3/8" - 227830 - T114 - C142	4	4	\$1.25
7	TOCD038112	T176	HEX BOLT 3/8" X 1-1/2" - T176 - C141 - 226230	4	4	\$1.25
7H	TOCD038114	134990	HEX BOLT HD, 3/8 X 1-1/4 HX GR5 - 226220 - 134990	4	4	\$1.25
8H	RNPX012GAL	T105	PLAIN WASHER 1/2" - T105 - C172 - 174470	4	4	\$2.12
9H	RNPX056GAL	174990	PLAIN WASHER, 5/16 ID X 3/4 OD FL ZP - 174990	4	4	\$1.08
10H	TCCS056GAL	T148	HEX LOCK NUT 5/16" - T148 - 227821	2	2	\$1.25
11H	TOCD056100	225980	HEX BOLT, 5/16X 1 HX GR2 CP NC - 225980	2	2	\$1.25
12H	ASK FOR #		ENGINE SHROUD LID ACCESS	1	1	\$21.00

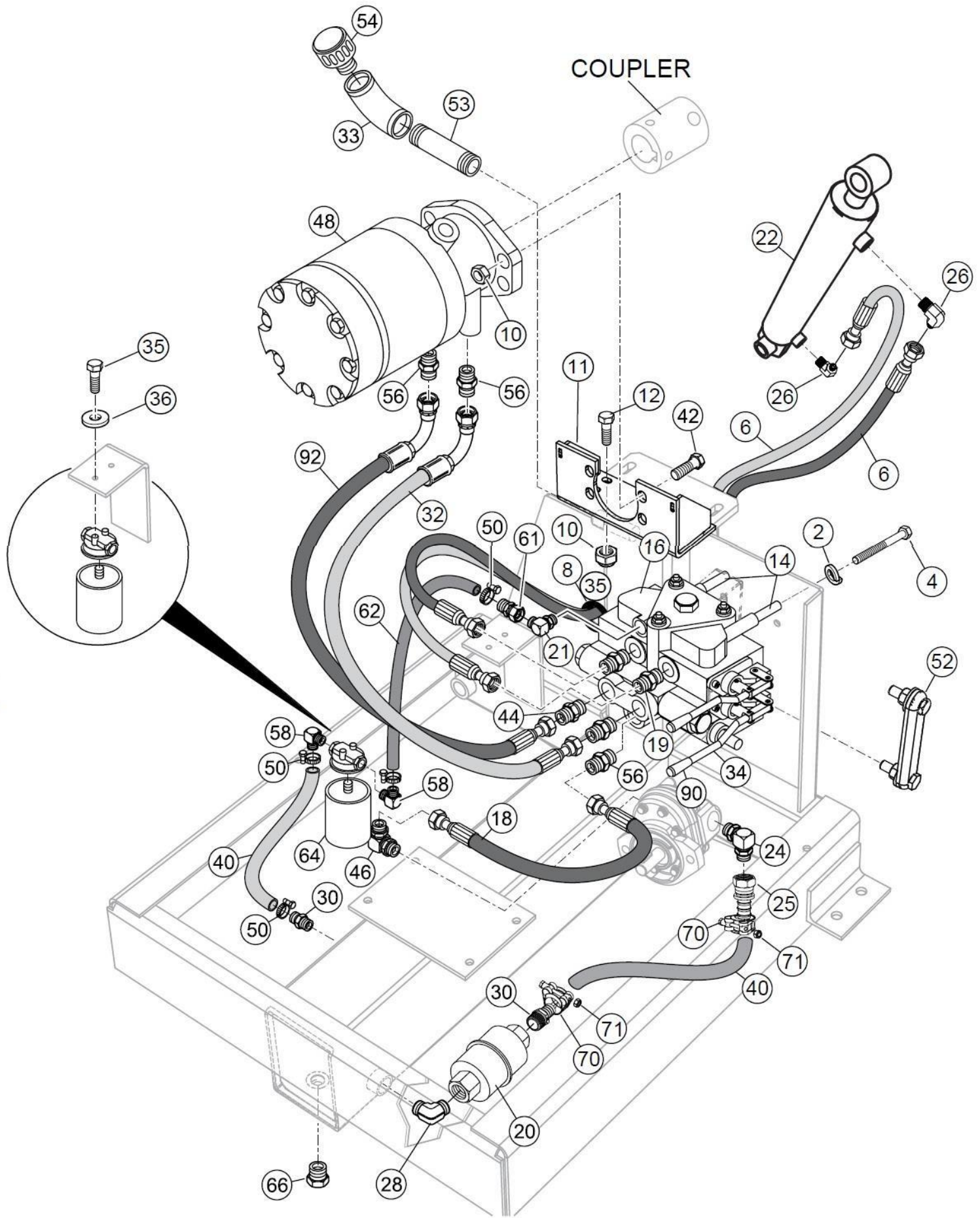
DRIVE ASSEMBLY



TRANSM. ASSEY HM						
#	MANUF. #	PART #	DESCRIPTION	HM12	HM16	LISTPRICE
1H	ASK FOR #	412810	ARM, REACTION 12SH-S16SH/HM12-HM16	1	1	\$85.00
2H	TCCS012GAL	T106	HEX LOCK NUT 1/2" - T106 - 227854 - C304	5	5	\$1.25
3H	0000CR01SH	701002	COUPLER, 1.5" W/PIN 1.5" W/KEY (3-3/4" LONG)	1	1	\$190.00
3H	ASK FOR #	412814	COUPLER, 1.5" W/PIN 1.5" W/KEY (4-1/2" LONG)	1	1	\$190.00
4H	TOCD012400	401006	HEX BOLT GR5 1/2 X 4 - 401006	1	1	\$4.24
5H	OPCR056038	228028	SET SCREW, 5/16 X 3/8 - 228028	1	1	\$1.70
6H	ASK FOR #	412950	MOTOR, HYD 31.95 CU IN/REV	1	1	\$954.00
7H	TOCD012212	226690	HEX BOLT HD 1/2" X 2-1/2" - T104 - C146 - 226690	4	4	\$1.25
8H	RNRX038GAL	T113	LOCK WASHER 3/8 T113 - C144 - 176230	6	6	\$1.25
9H	TOCD038100	C138	HEX BOLT 3/8 X 1" - C138	8	8	\$1.25
10H	ASK FOR #	412927	HYD PUMP .366 IN3 REV, GAS ENGINE	1	1	\$810.00
10H	ASK FOR #	412928	HYD PUMP .659 IN3 REV, ELEC MOTOR	1	1	\$810.00
11H	ASK FOR #	412926	ADAPTER, 90°#10 ORB MALE ~ #10 JIC	1	1	\$25.44
12H	ASK FOR #	412800	PUMP MOUNT W.A. "A" FLANGE	1	1	\$116.00
12H	1017CO01PM	702008	PUMP MOUNT W.A. ELECTRIC MOTOR	1	1	\$116.00
13H	TCCS038GAL	T114	HEX LOCK NUT 3/8" - 227830 - T114 - C142	4	4	\$1.25
14H	202012M	N/A	ENGINE HONDA 13 HP GX340	1	1	\$1,225.00
15H	ASK FOR #	142532	SCREW, 5/16X3/4 CS SOCK HD GR12	3	3	\$5.30
16H	ASK FOR #	412815	FAN, 2" BC 12H-16S	1	1	\$4.66
17H	ASK FOR #	412851	FAN, 8" CCW 8CC1375W38H15N1	1	1	\$33.92
18H	ASK FOR #	N/A	ENGINE COUPLER, SEE ENGINE OPTIONS	1	1	\$0.00
19H	ASK FOR #	N/A	COUPLER INSERT, SEE ENGINE OPTIONS	1	1	\$0.00
20H	ASK FOR #	N/A	HYD PUMP COUPLER, SEE OPTIONS	1	1	\$0.00
21H	ASK FOR #	412920	ADAPTER 90° #12 ORB MALE #10 JIC	1	1	\$29.68
22H	TOCD038200	226250	HEX BOLT HD, GR5 3/8" X 2" - 226250 - T145- C158	2	2	\$1.25
23H	ASK FOR #	412820	GUARD, 9" DIA.	1	1	\$40.00
*	1017LA01PM	702009	ELECTRIC MOTOR GUARD - 702009	1	1	\$50.00
24H	ASK FOR #	485704	HANDLE, HYD MIX VALVE - 485764	2	2	\$14.88
25H	ASK FOR #	412914	VALVE 2SPOOL PRESS COMP	1	1	\$1,000.00
26H	TOCD056300	701009	HEX BOLT HD 5/16" X 3" - 701009 - T201	2	2	\$1.25
27H	ASK FOR #	412818	BRACKET, VALVE MOUNTING	1	1	\$23.32
28H	TCCS056GAL	227821	HEX LOCK NUT 5/16" - T148 - 227821	2	2	\$1.25
29H	ASK FOR #	174986	PLAIN WASHER 3/8" - T112 - C139 - 174986 - 701032 - C140	4	4	\$1.25



ENGINE ASSEY BREAK DOWN						
#	SKU #	PART #	DESCRIPTION	HM12	HM16	PRICELIST
1H	TOCD038134	226240	HEX BOLT HD, 3/8 X 1-3/4 - 226240	4	4	\$1.25
2H	RNPX038GAL	174986	PLAIN WASHER 3/8" - T112 - C139 - 174986 - 701032 - C140	8	8	\$1.25
3H	TCCS038GA	227830	HEX LOCK NUT 3/8" - 227830 - T114 - C142	4	4	\$1.25
4H	202012M	N/A	ENGINE HONDA 13 HP O/A GX390UQAE6	1	1	\$973.00
5H	ASK FOR #	412856	COUPLER, L100 & L70 X 1" DIAM SHAFT	1	1	\$135.68
4H	ASK FOR #	219991MS	BALDOR MOTOR, 5HP, 3PH, 60HZ 575V, W/C-FACE (CEM3615T-5)	1	1	\$797.50
5H	ASK FOR #	412859	COUPLER, L100 X 1.125" DIA.	1	1	\$56.18
4H	ASK FOR #	219993	MOTOR, 7.5 HP, 3-575, EXT SHAFT, 1" C FI	1	1	\$1,339.84
5H	ASK FOR #	412871	COUPLER, L100 X 1.375" DIA.	1	1	\$254.40
4H	ASK FOR #	219999	MOTOR, 7.5 HP, 1-115/230, 1" C FLG	1	1	\$1,201.25
5H	ASK FOR #	412871	COUPLER, L100 X 1.375" DIA	1	1	\$254.40
4H	ASK FOR #	220000	MOTOR, 7.5 HP, 3-239/460, EXT SHAFT	1	1	\$1,201.25
5H	ASK FOR #	412871	COUPLER, L100 X 1.375" DIA	1	1	\$254.40
6H	ASK FOR #	412853	COUPLER, L100 X 5/8" DIA. ELEC MOTOR	1	1	\$137.80
6H	ASK FOR #	702007	COUPLER, L100 X 3/4" DIA. GAS ENGINE	1	1	\$254.40
7H	ASK FOR #	412854	INSERT, L099-100U BLUE	1	1	\$93.28
8H	ASK FOR #	226210	BOLT, HEX HD, 3/8 X 1 (TOCD038100)	4	4	\$1.25



HYD HOSES & FITTINGS						
#	SKU #	PART #	DESCRIPTION	HM12	HM16	LISTPRICE
1	ASK FOR #	412858	KIT, SPOOL DETENT BM40 BC40	1	1	\$210.00
2	ASK FOR #	412903	RESERVOIR TO PUMP BUTTOM HOSE 3/4 X 16" #10 JIC ~ #10 JIC	1	1	\$84.80
3	ASK FOR #	412904	VALVE TO PUMP SIDE HOSE, 1/2 X 18" #10 JIC ~ #10 JIC	1	1	\$51.94
4	ASK FOR #	412905	VALVE TO CYLINDER HOSE, 3/8 X 72" #6 JIC ~ #6 JIC	2	2	\$56.18
5	ASK FOR #	412906	VALVE TO MOTOR HOSE, 1/2 X 24" #10 JIC ~ #10 JIC	2	2	\$56.18
6	ASK FOR #	412907	COOLER TO VALVE & FILTER HOSE, 1/2 X 18" #8 JIC ~ #8 JIC	2	2	\$46.64
7	ASK FOR #	412909	CYLINDER VALVE ADAPTER 90° #4 NPT ~ #6 JIC	2	2	\$7.00
8	ASK FOR #	412910	VALVE ADAPTER, #8 ORB ~ #10 JIC	2	2	\$12.93
9	ASK FOR #	412911	VALVE ADAPTER, #12 ORB ~ #8 JIC	1	1	\$9.75
10	ASK FOR #	412912	FILTER ADAPTER, 45° #8 NPT ~ #8 JIC	1	1	\$13.14
11	ASK FOR #	412913	RESERVOIR BUTTOM, 45° #8 NPT ~ #10 JIC	1	1	\$13.78
12	ASK FOR #	412916	VALVE ADAPTER, #8 ORB ~ #6 JIC	2	2	\$7.42
13	ASK FOR #	412917	VALVE ADAPTER, PLUG #10	1	1	\$7.42
14	ASK FOR #	412918	VALVE ADAPTER, PLUG #8	1	1	\$6.36
15	ASK FOR #	412919	FILTER ADAPTER, 90° #8 JIC FERN ~ #8 JIC MALE	2	2	\$25.31
16	ASK FOR #	412922	HYD MOTOR ADAPTER, 45° #10 ORB ~ #10 JIC	2	2	\$24.38
17	ASK FOR #	412925	VALVE ADAPTER, HYD #8 ORB ~ #8 JIC	1	1	\$6.36
18	ASK FOR #	412932	RESERVOIR FITTING, PLUG, #8 NPT	2	2	\$7.00
19	ASK FOR #	485104	VALVE ADAPTER, 90° #10 JIC FERN ~ #10 JIC MALE	1	1	\$18.79
20	ASK FOR #	485115	RESERVOIR SCREEN, SUCTION - 100 MESH 1" NPT	1	1	\$30.32

www.tkequip.com
salesmanager@tkequip.com
sales@tkequip.com
 Office: 956-796-9411
 Tel: 956-740-3740
 Fax: 956-462-2500