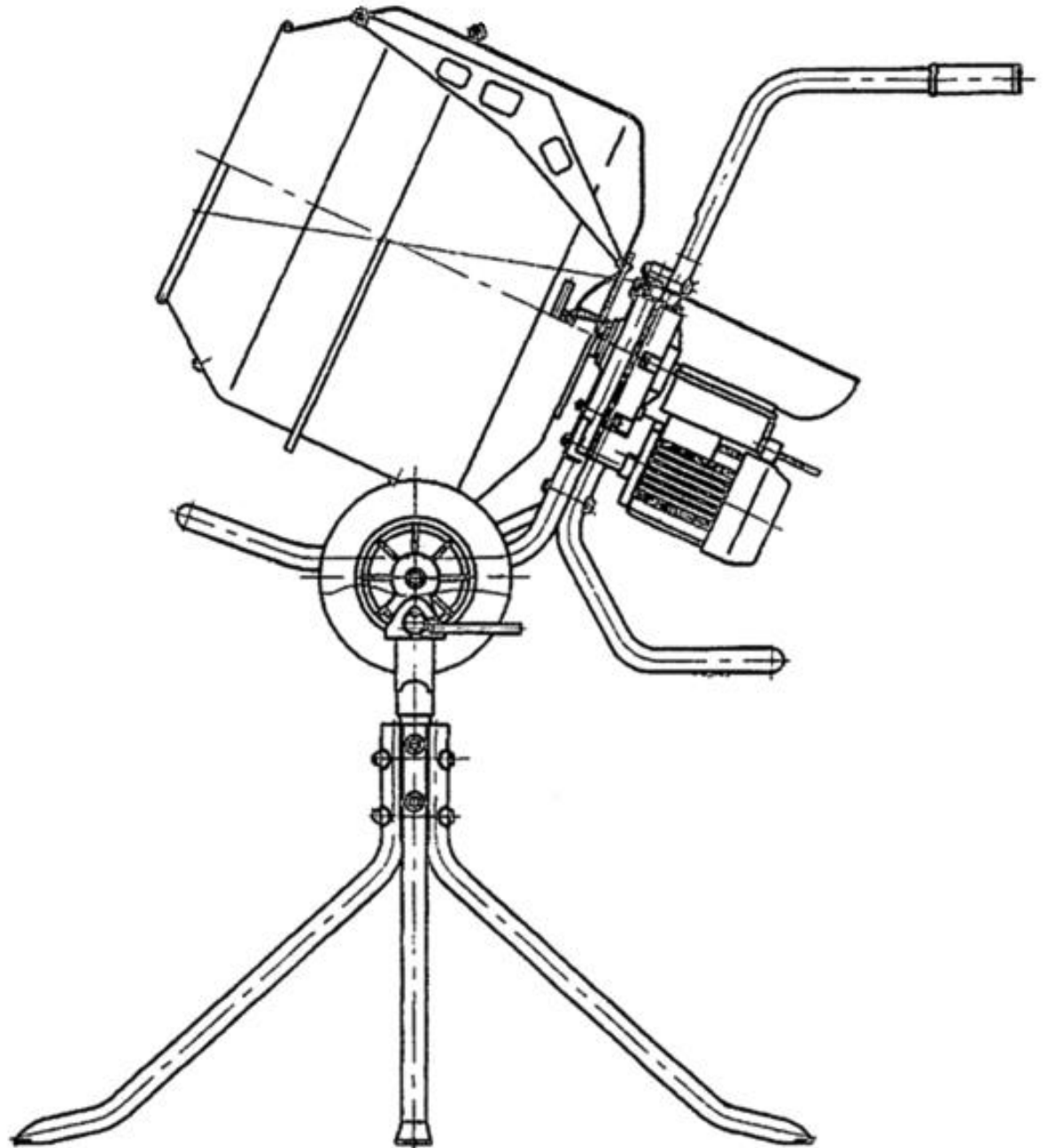
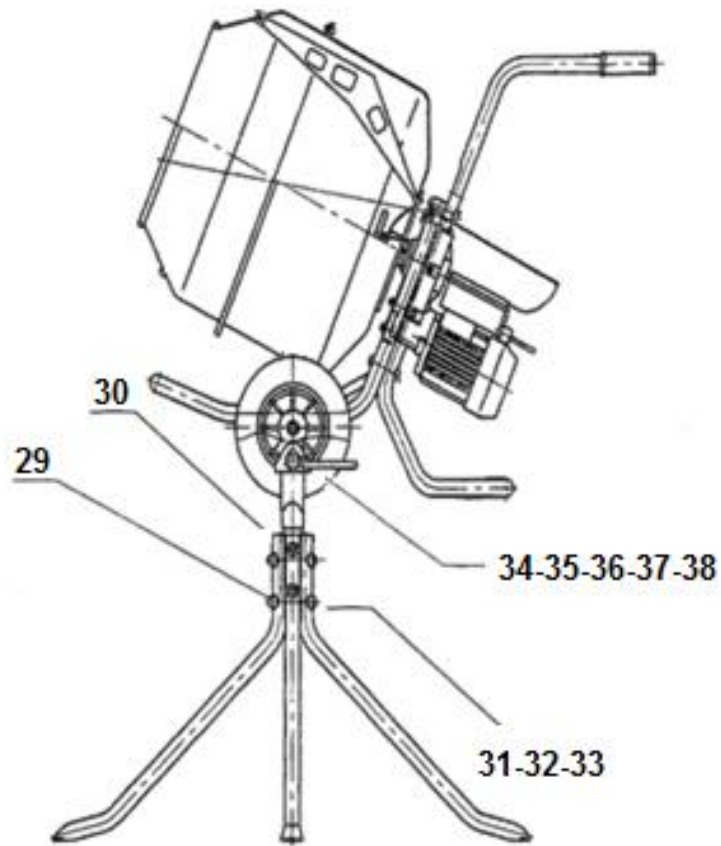
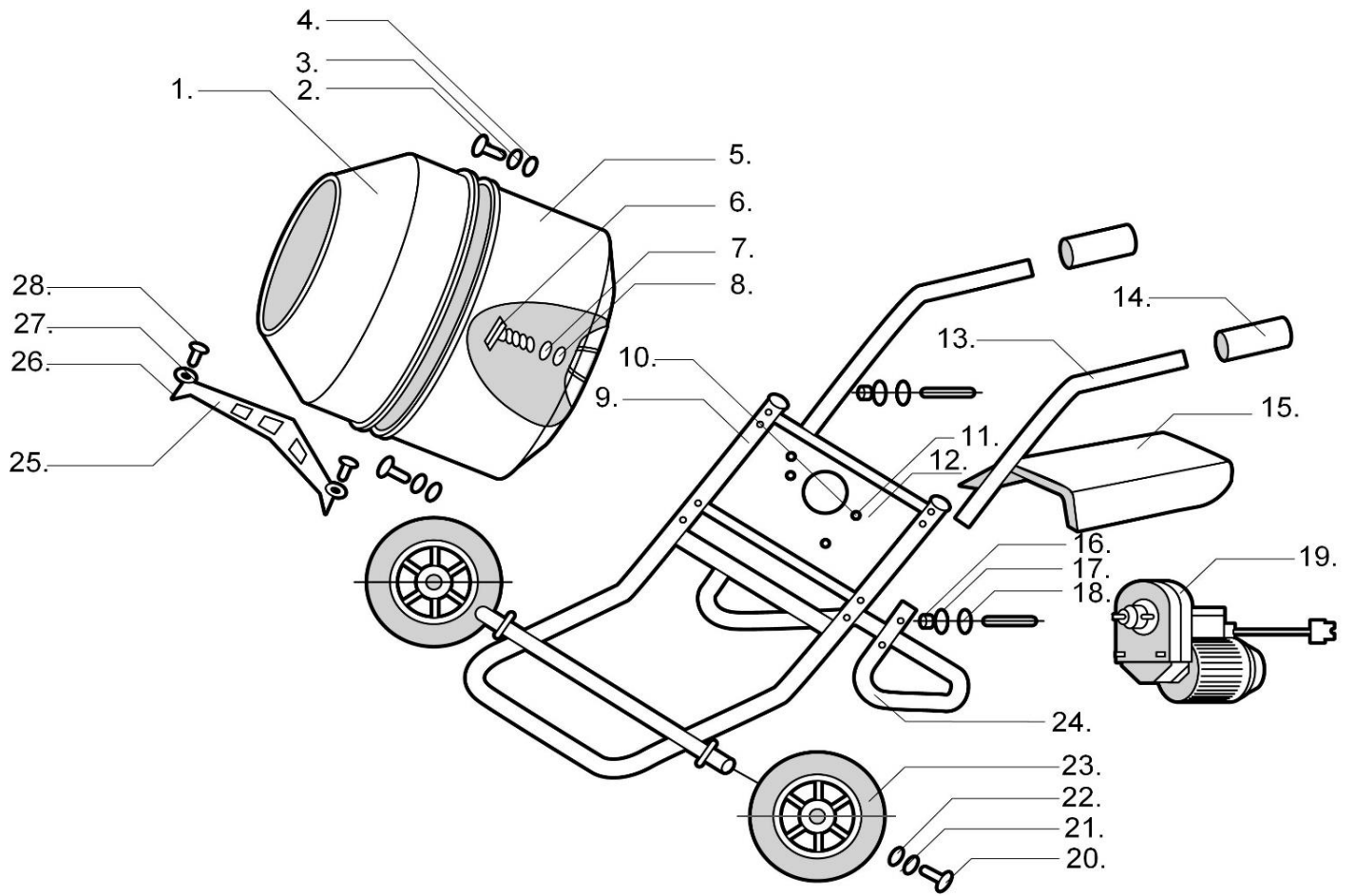


MAX MIX CONCRETE MIXER PARTS BREAKDOWN





ITEM	PART #	DESCRIPTION	MMIX
1	2250719	MAX MIX UPPER DRUM HALF	1
2	3206152	DRUM AND ENGINE COVER HEX BOLT M6 X 16	8
3	3201255	DRUM AND ENGINE COVER WASHER M8	8
4	3206365	DRUM AND ENGINE COVER NUT M8	8
5	2250720	MAX MIX LOWER DRUM HALF	1
6	2222982	T-BOLT M14 X 35	1
7	2222169	T-BOLT RUBBER WASHER M14	1
8	2224428	T-BOLT WASHER 14X36X6	1
9	2222149	FRAME REAR SUPPORT	1
10	2222150	MOTOR HEX BOLT M6 x 16	4
11	2222151	ELASTIC WASHER M14	3
12	2222152	ENGINE MOUNT M6 NUT	3
13	2235450	RIGHT/LEFT HANDLE FOR MAX MIX	1
14	2288786	HANDLE GRIPS LEFT AND RIGHT	2
15	2222153	MOTOR COVER	1
16	3206140	FRAME ASSEY M6 NUT	4
17	2226700	FRAME WASHER 6	4
18	2226702	FRAME BOLT M6 X 15	4
19	1/3 MOTOR	MAX MIX 1/3 HP ELECTRIC MOTOR ASSEMBLY 115V	1
20	2255749	WHEEL COTTER PIN	2
21	2222154	WHEEL WASHER	2
22	2222148	10" WHEEL 10X2"	2
23	2222168	MAX MIX RUBBER GASKET (SEAL)	1
24	3206159	AXLE FRAME	1
25	2253145	MIXING PADDLE	2
26	2222193	PADDLE ASSEY NUT TB M12X25	4
27	2222155	PADDLE WASHER	4
28	2222170	PADDLE BOLT	4
29	2222156	MAX MIX PEDESTAL LEG (ONE PIECE)	4
30	2222157	MAX MIX PEDESTAL LEG UNION TUBE	1
31	2222158	PEDESTAL BOLT	4
32	2222159	PEDESTAL WASHER	4
33	2222160	PEDESTAL HEX BOLT	4
34	2222161	PEDESTAL SUPPORT BASE	1
35	2222162	PEDESTAL BASE L BOLT	1
36	2222163	PEDESTAL BASE PIN LOCK	2
37	2222164	PEDESTAL BASE WASHER	2
38	2222165	PEDESTAL BASE HAIR LOCK PIN	2

Octavio Chavez

North America Sales Manager

manager@tkequip.com

www.tkequip.com

Phone Line: (956) 796-9411

Fax: (956) 462-2500

service@btmequipment.com

Parts & Customer Service