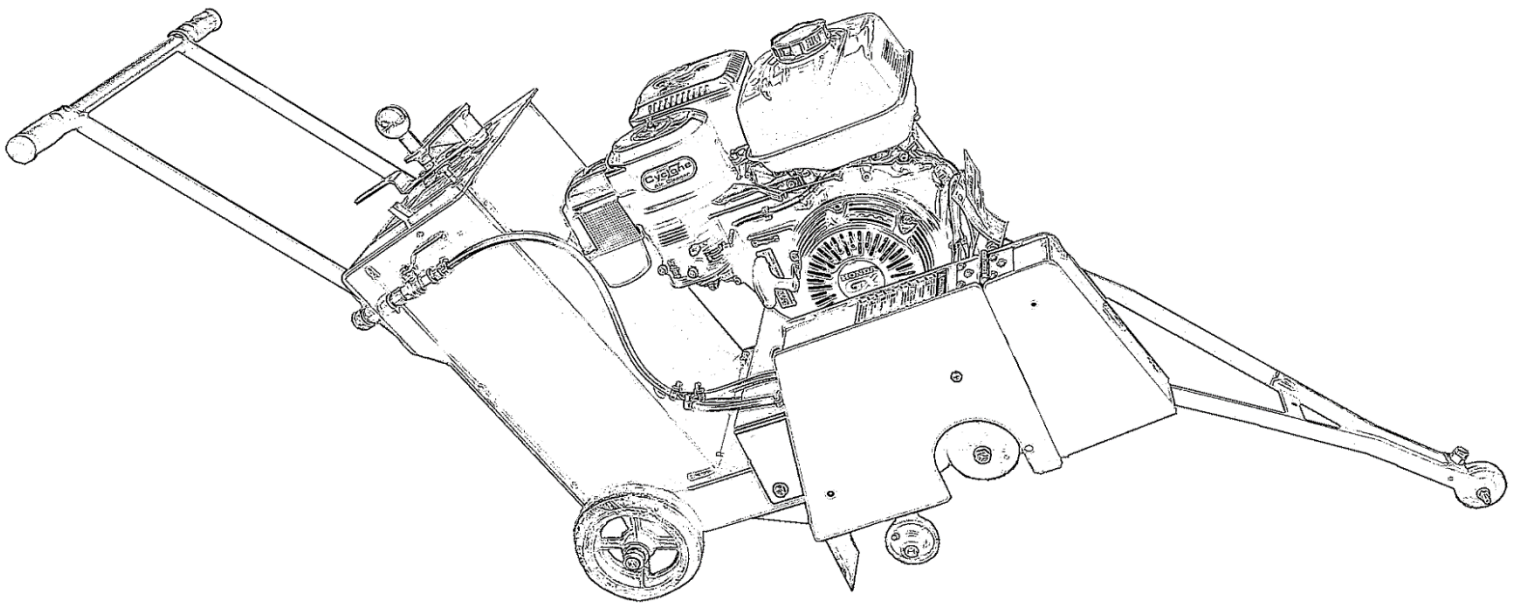
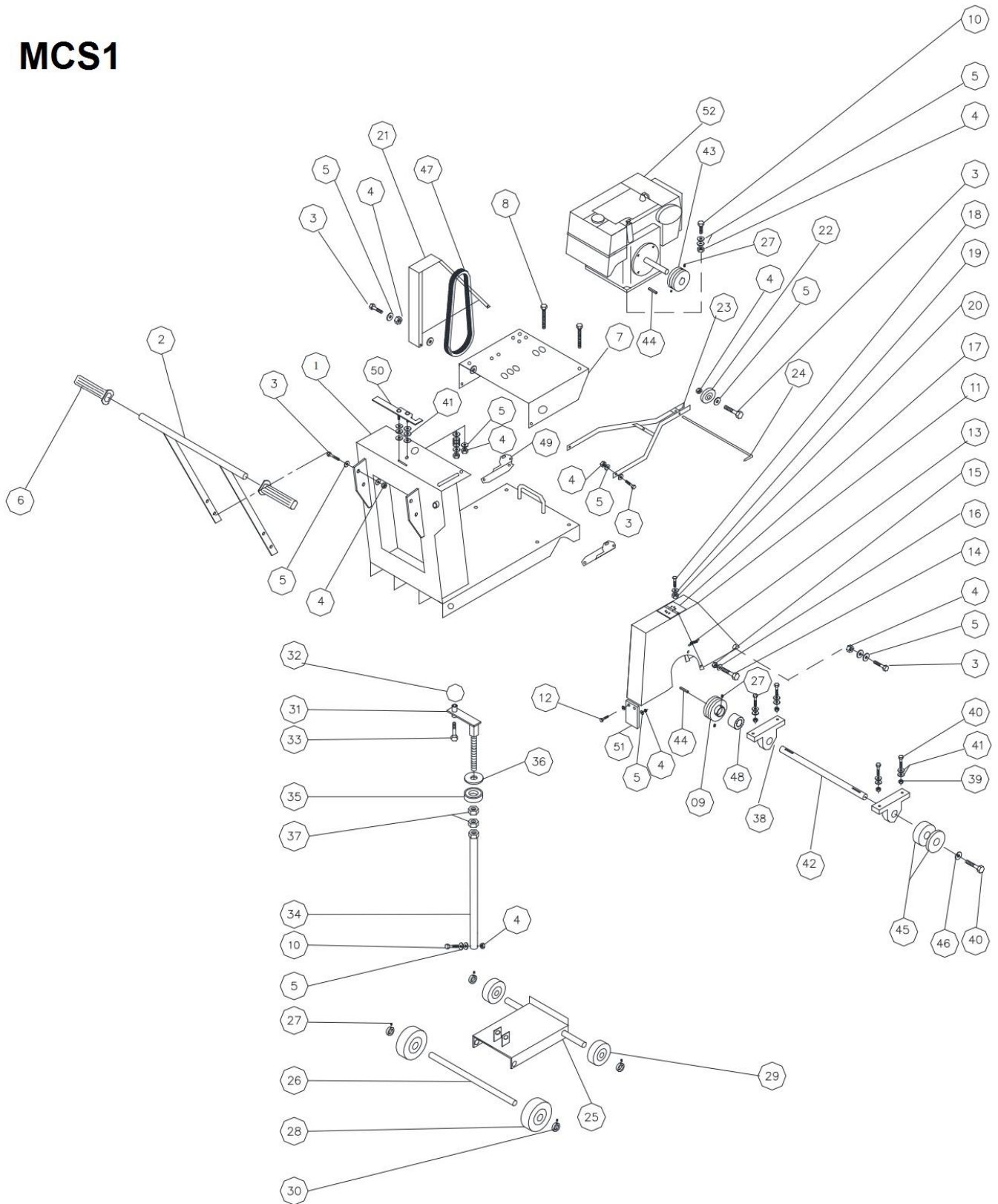


# CONCRETE SAW

## MCS-1 18"



# MCS1



| ITEM | M.I.D. #     | PART #    | DESCRIPTION                          | MCS1 |
|------|--------------|-----------|--------------------------------------|------|
| 1    | 0405CO01CH   | 460032-01 | MCS-1 FRAME                          | 1    |
| 2    | 0405CO01MA   | 46041-01  | HANDLE BRACKETS                      | 1    |
| 3    | TOCD038114   | N/A       | BOLT, HEXHD 3/8 X 1-1/4"             | 10   |
| 4    | TCCS038GAL   | N/A       | LOCK NUT, 3/8"                       | 19   |
| 5    | RNPX038GAL   | N/A       | PLAIN WASHER 3/8"                    | 45   |
| 6    | 0000RF01MA   | CG0100    | HANDLE GRIP                          | 2    |
| 7    | 0405CO01BM   | 46044-01  | ENGINE POWER BASE/MOUNT              | 1    |
| 8    | TOCD038312   | C528      | BOLT, HEXHD, 3/8" X 3-1/2"           | 2    |
| 9    | POFG3121143R | N/A       | CUTTING PULLEY                       | 1    |
| 10   | TOCD038200   | N/A       | BOLT 3/8" X 2"                       | 4    |
| 11   | 0405CO01GD   | N/A       | HINGED BLADE GUARD                   | 1    |
| 12   | TOCD038100   | N/A       | SCREW 3/8" X 1"                      | 2    |
| 13   | 0405RE01GD   | N/A       | SPRING GUARD LOCK                    | 1    |
| 14   | TOCD014100   | N/A       | BOLT HEXHD, 1/4" x 1"                | 2    |
| 15   | TCCS014GAL   | N/A       | LOCK NUT, 1/4"                       | 2    |
| 16   | RNPX014GAL   | N/A       | PLAIN WASHER 1/4"                    | 4    |
| 17   | 0405MI02GD   | N/A       | GINGED GUARD PLATE                   | 1    |
| 18   | TOCMR036GAL  | N/A       | BOLT GOUTHEAD 3/16 X 1"              | 6    |
| 19   | RNPX036GAL   | N/A       | PLAIN WASHER 3/16                    | 6    |
| 20   | TCCS036GAL   | N/A       | LOCK NUT 3/16"                       | 6    |
| 21   | 0405CO01GB   | 46046-01  | CUT BELT GUARD                       | 1    |
| 22   | 0405MI01GC   | N/A       | WHEEL GUIDE                          | 1    |
| 23   | 0405CO01GC   | 46045-32  | CUTTING POINTER GUIDE                | 1    |
| 24   | 0405CR01GC   | 46049-08  | POINTER ROD                          | 1    |
| 25   | 0405CO01RD   | N/A       | AXLE BASE                            | 1    |
| 26   | 0405CR01RD   | 46037-09  | REAR AXLE                            | 1    |
| 27   | OPCR056056   | N/A       | ALLEN SCREW 5/16"                    | 8    |
| 28   | 0000RD08RD   | 46031-44  | 8" O.D. x 2" REAR SOLID RUBBER WHEEL | 2    |
| 29   | 0000RD04RD   | 40015-33  | 4" O.D. X 2" WIDE SOLID RUBBER WHEEL | 2    |
| 30   | 0405CR02RD   | 46037-14  | WHEEL BUSHING                        | 4    |
| 31   | 0405CO01TE   | 46035-06  | RAISE SCREW HANDLE (CRANK)           | 1    |
| 32   | 238202       | MS0400    | BALL KNOB                            | 1    |
| 33   | TOCD012212   | N/A       | BOLT 1/2" X 2 1/2"                   | 1    |
| 34   | 0405CO02TE   | 46035-01  | DEPTH SCREW TUBE                     | 1    |
| 35   | 0000BA0602   | BE0500    | TRUST BEARING 602 (CRANK)            | 1    |
| 36   | RNPX034GAL   | N/A       | PLAIN WASHER 3/4"                    | 1    |
| 37   | TCCN034MAQ   | 46035-18  | 3/4" ACME HEX NUT (CRANK)            | 1    |
| 38   | 00CHPI2114   | BE0350    | PILLOW BLOCK BEARING                 | 2    |
| 39   | TCCS012GAL   | T106      | LOCK NUT 1/2"                        | 4    |
| 40   | TOCDR012200  | N/A       | BOLT 1/2" X 2"                       | 5    |
| 41   | RNPX012GAL   | T105      | PLAIN WASHER 1/2"                    | 4    |
| 42   | 0405CR01CO   | N/A       | BLADE SHAFT                          | 1    |
| 43   | POFG3121003R | BS0400    | PULLEY 3-1/2" x 1"                   | 1    |
| 44   | 0405CC01CO   | N/A       | KEY 1/4"                             | 2    |
| 45   | 0405CO01FD   | PM0200    | LOOSE COLLAR MCS1 (PM0200)           | 1    |
| 46   | RNRX012GAL   | N/A       | SPRING WASHER, 1/2"                  | 1    |
| 47   | 0000BNVX315  | N/A       | BELT- VX315                          | 3    |
| 48   | 0405CR02FD   | N/A       | COLLAR SPACER                        | 1    |
| 49   | 0405LA01GC   | 40014-13  | BRACKETS                             | 2    |
| 50   | 0405CO01FR   | 46036-01  | LOCK LEVER CRANK                     | 1    |
| 51   | 0405MI01GD   | N/A       | BLADE GUARD MUD SPASHER              | 1    |
| 52   | 202014M      | N/A       | HONDA ENGINE 13HP W/ CYCLON FILTER   | 1    |