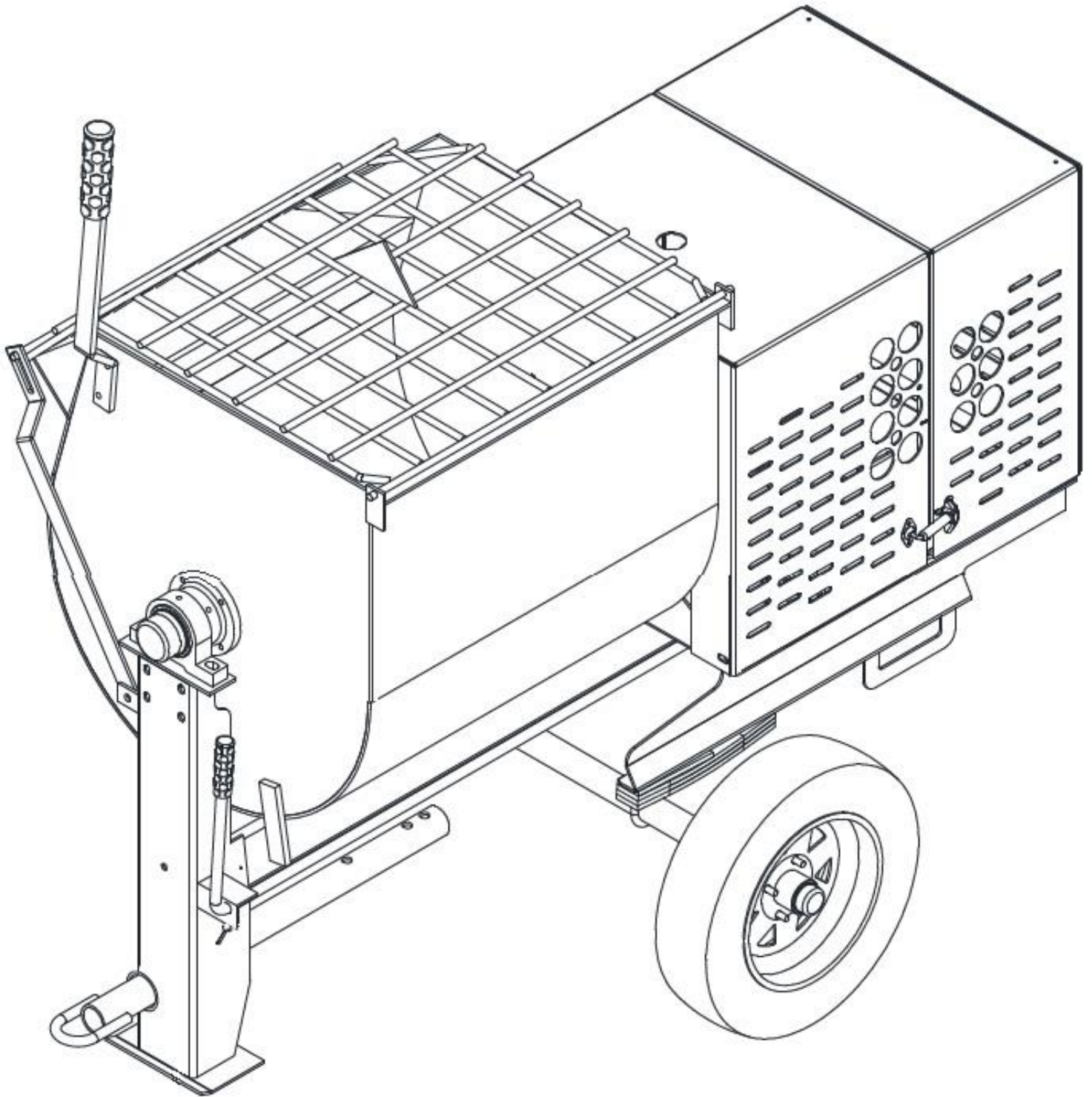
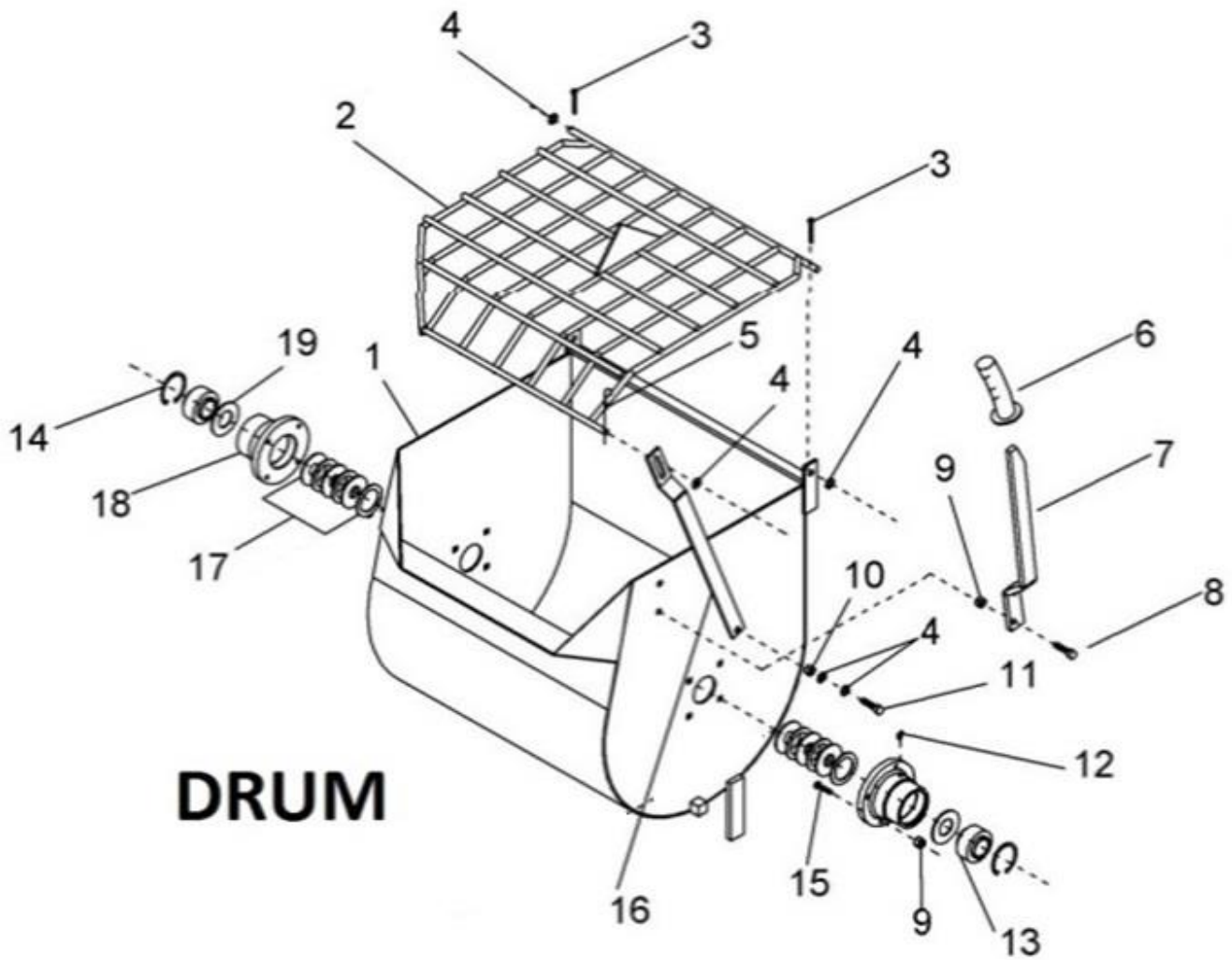


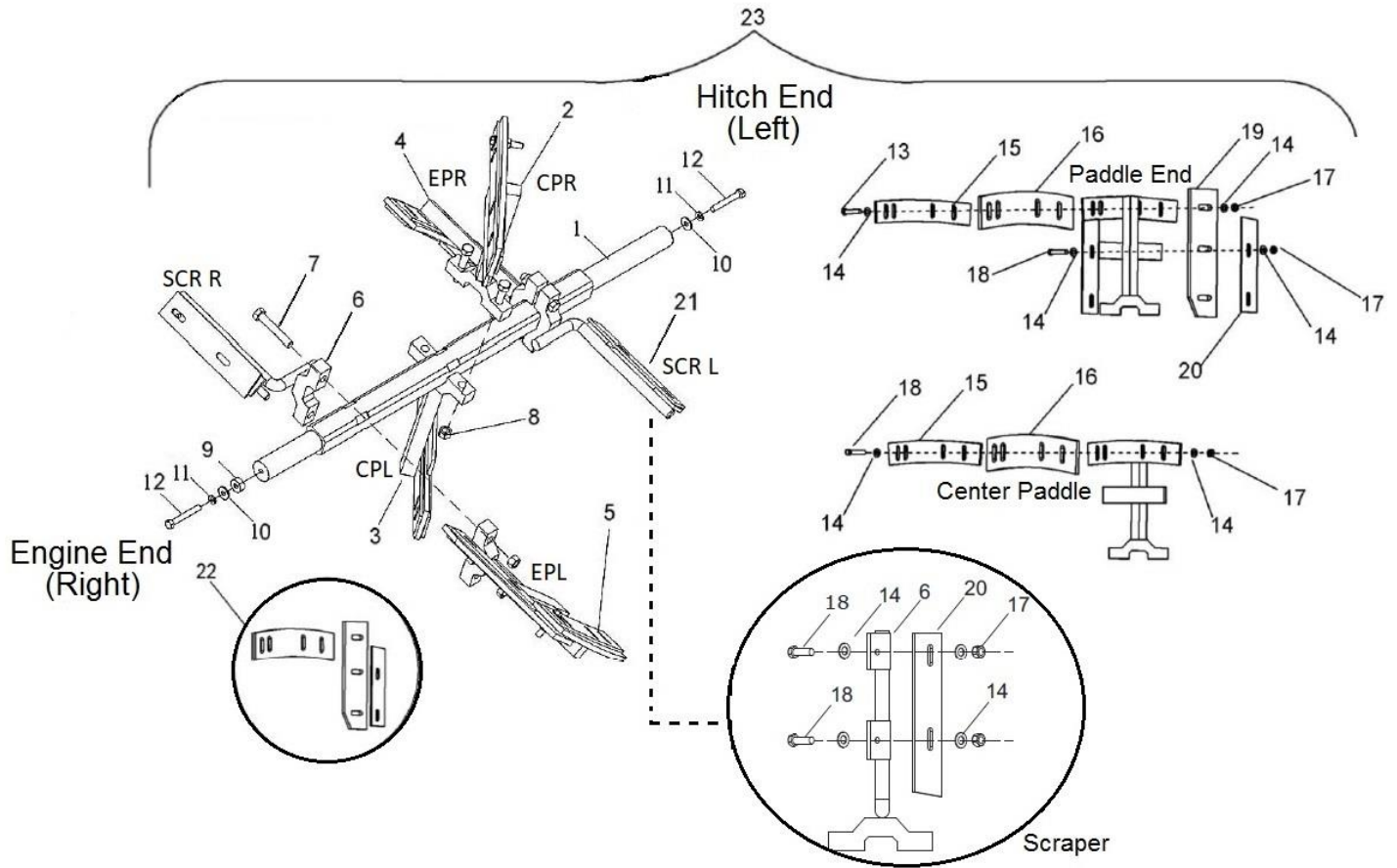
MM12G (TRANSMISSION) PARTS BREAKDOWN



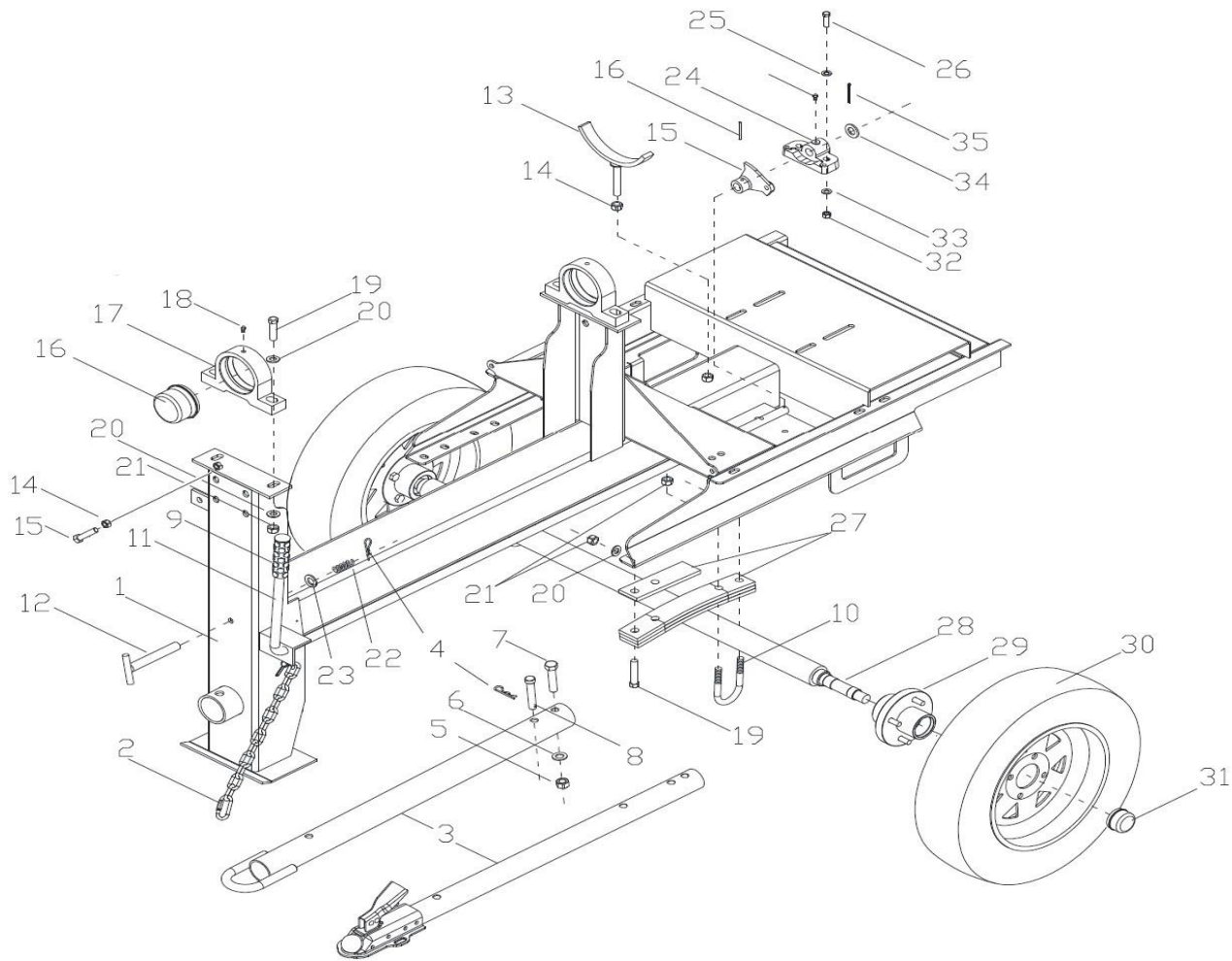


DRUM

DRUM ASSEMBLY BREAK DOWN					
ITEM	M.I.D. #	PART #	DESCRIPTION	MM12	MM12G
1	0204CO01TQ	T602	DRUM MM12-MM12G 32-1/2" (NEW STYLE)	1	1
1	0204KI01EF	T602-1	DRUM ASSEMBLY COMPLETE MM12-MM12G 32-1/2" (NEW STYLE)	1	1
2	0204CO01RJ	T603	DRUM GRID W/ BAG CUTTER MM12-MM12G	1	1
3	SC3116200GAL	T111	GRID PIN COTTER, 3/16" X 2"	2	2
4	RNPX012GAL	T105	PLAIN WASHER 1/2"	5	5
5	SR00036EXT	T110	GRID/HITCH HAIR LOCK PIN 3/16"	3	3
6	0000RF01RJ	T166	DUMPING & CONTROL HANDLE GRIP	1	1
7	0200CO01TQ	T168	DRUM DUMPINHG HANDLE ASSEY WITH GRIP	1	1
8	TOCD038112	T176	HEX HEAD SCREW 3/8" X 1-1/2"	2	2
9	TCCS038GAL	T114	LOCK NUT HEX, 3/8"	10	10
10	TCCS012GAL	T106	HEX LOCKNUT 1/2"	1	1
11	TOCD012134	T189	HEX HEAD CAP SCREW 1/2" X 1-3/4"	1	1
12	0000GRH045	T102	BEARING FITTING GREASE 45 DEG	2	2
13	0000BA20824	T175	DRUM TRUNNION BEARING KIT W/FITTING	2	2
14	SM00300INT	T177	DRUM TRUNNION RETAINING RING 3"	2	2
15	TOCL038112	T174	DRUM TRUNNION CARRIAGE BOLT 3/8" x 1-1/2"	8	8
16	0200SO01RJ	T115	DRUM DUMPING LOCK BAR	1	1
17	0200KI01TN	T172	DRUM HUB SEALS KIT (ONE END)	2	2
18	0200CO01TN	T173-2	4 HOLES DRUM TRUNNION FOR 3/8" HEX SCREWS	1	1
19	0200LA01TN	T169	DRUM HUB STEEL SEALS	2	2



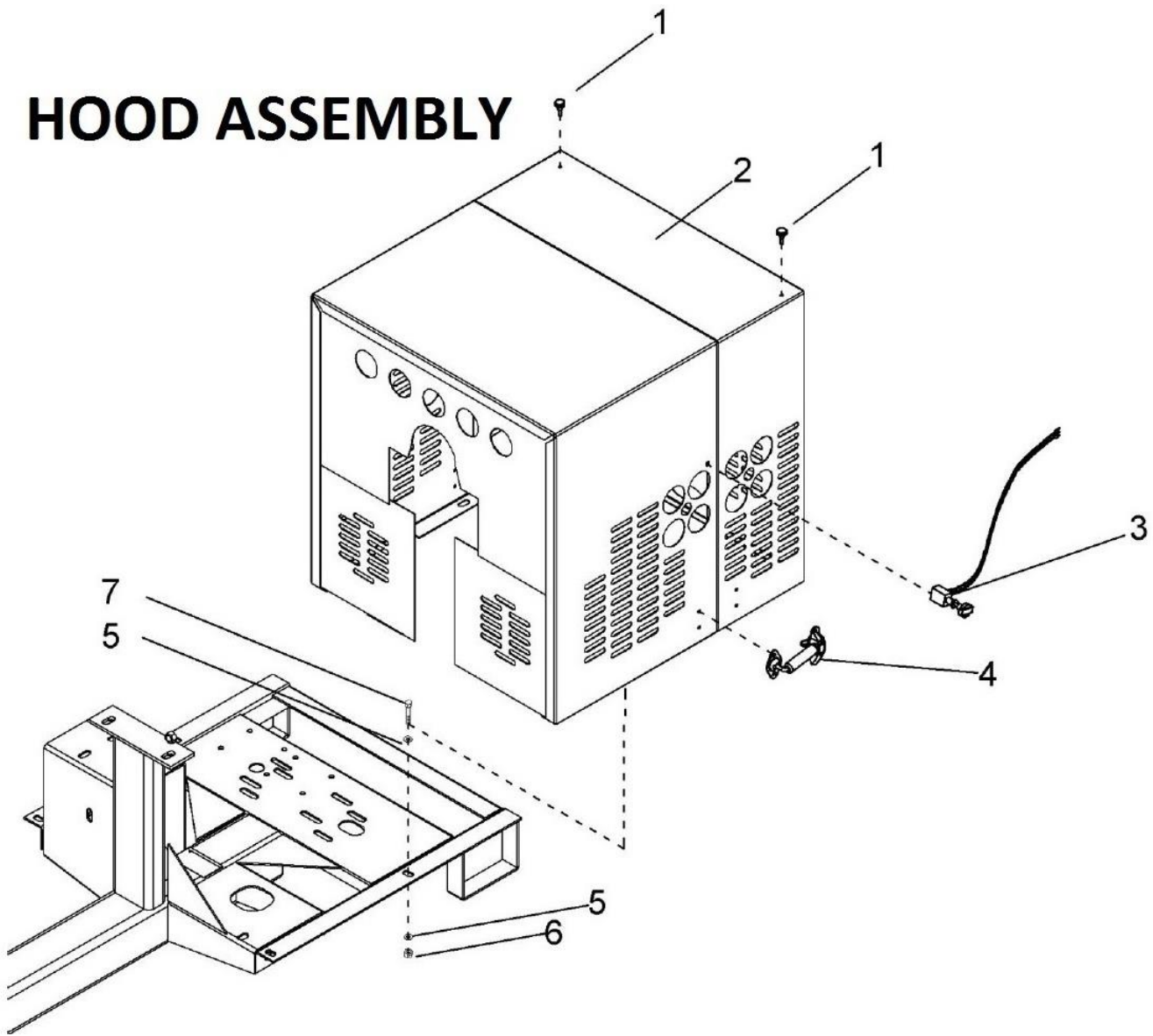
PADDLE ASSEY					
ITEM	MANUF. #	PART #	DESCRIPTION	MM12	MM12G
1	0203CR01CH	T404	SQUARE MAIN SHAFT 1-3/4 x 43 5/8 MM10-MM12	1	
1	0220CR01FC	T654	SQUARE MAIN SHAFT MM12G 1-3/4" MM12G		1
2	0204CO01AS-1	T606-2	CENTER PADDLE RIGHT ARM MM12 - MM12G (1" THICKNESS)	1	1
3	0204CO02AS-1	T408-2	CENTER PADDLE LEFT ARM MM12- MM12G (1" THICKNESS)	1	1
4	0204CO04AS-1	T614-2	END PADDLE RIGHT ARM MM12 -MM12G (1" THICKNESS)	1	1
5	0204CO03AS-1	T609-2	END PADDLE LEFT ARM MM12 - MM12G (1" THICKNESS)	1	1
6	0202CO02RP	T600	END SCRAPER LEFT MM12 (1" THICKNESS)	1	1
7	TOCD012312	N/A	HEX HEAD CAP SCREW 1/2" X 3-1/2" (1" TICKNESS PADDLES)	6	6
8	TCCS012GAL	T106	HEX LOCKNUT 1/2"	6	6
9	0200TU01FC	T413	MAIN SHAFT BUSHING	1	
10	0200PL01FC	T152	MAIN SHAFT PLAIN WASHER 3/16"	2	
11	RNRX038GAL	T113	LOCK WASHER, 3/8"	2	
12	TOCD038100	T116	MAIN SHAFT HEX HEAD SCREW 3/8 x 1 NF	2	
13	TOCD038200	T145	HEX HEAD SCREW 3/8" x 2"	4	4
14	RNPX038GAL	T112	PLAIN WASHER, 3/8"	40	40
15	0201RF01AS	T180	CENTER PADDLE RUBBER BLADE MM6 - MM12	4	4
16	0200SO01AS	T181	CENTER PADDLE STEEL BLADE 3/8" MM6 - MM12	4	4
17	TCCS038GAL	T114	LOCK NUT HEX, 3/8"	20	20
18	TOCD038112	T176	HEX HEAD SCREW 3/8" X 1-1/2"	18	18
19	0200RF02AS	T310	END PADDLE SIDE RUBBER BLADE MM8 - HM12	2	2
20	0200SO02AS	T311	END PADDLE SIDE STEEL BLADE MM8 - MM12	2	2
21	0202CO01RP	T598	END SCRAPER RIGHT MM12 (1" THICKNESS)	1	1
COMPLETE PADDLE/RUBBER KITS					
22	0200KI03AS	T301	RUBBER BLADE KIT MM8-MM12-HM12	1	1
23	0204KI01AS-1	T606-3	COMPLETE PADDLE SET MM12 -MM12G (1" THICKNESS)	1	1



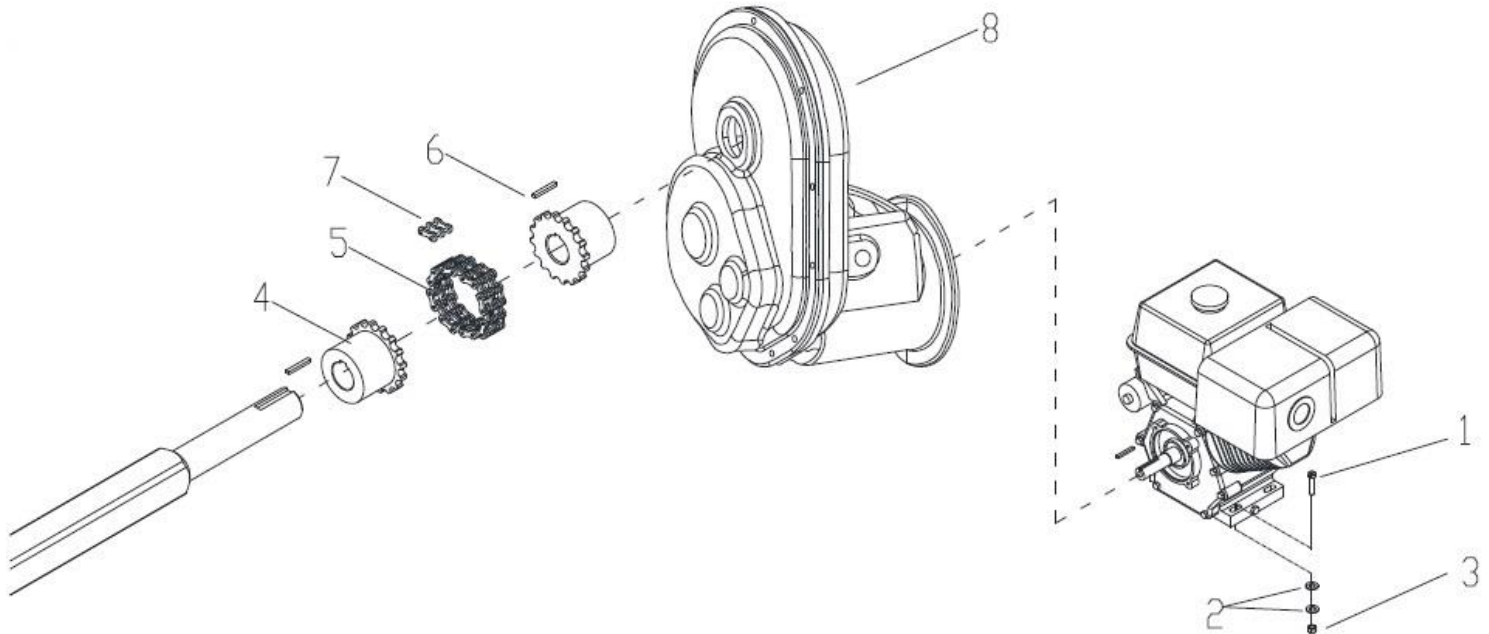
MMG FRAME ASSEY				
#	MANUF. #	PART #	DESCRIPTION ENGLISH	MM12G
1G	0220CO01CH	T675	FRAME MM12G	1
2G	CA03316GAL	T501	5/16" SAFETY CHAIN	1
3G	0000CO03LZ	T118-V	PINTLE HITCH (VERTICAL HOLE)	1
3G	0000CO04LZ	T119-V	2" BALL HITCH (VERTICAL HOLE)	1
3G	0219CO01LZ	T119-BD	BULL DOG HITCH (VERTICAL HOLE)	1
4G	SR00036EXT	T110	GRID/HITCH HAIR LOCK PIN 3/16"	1
5G	TCFN034GAL	T124	TOWING HITCH SAFETY HEX HEAD NUT 3/4"	1
6G	RNRX034GAL	T123	TOWING HITCH SAFETY LOCK WASHER 3/4"	1
7G	TOFD034312	T122	HEX HEAD SCREW 3/4" x 3-1/2"	1
8G	0000CR01LZ	T121	TOWING HITCH SAFETY PIN LOCK	1
9G	0000RF01RJ	T166	DUMPING & CONTROL HANDLE GRIP	1
10G	0170CO02CH	C166	AXLE U-CLAMP	2
11G	0200CO01CU	T117	CONTROL HANDLE LEVER MM6-MM8-MM12G	1
12G	0200CO01CH	T107	TOWING/DUMPING SPRING LOADED LOCK PIN	1
13G	0220CO02CH	T685	GBOX AXLE U-BOLT	2
14G	TCCN012GAL	T190	NUT 1/2"	3
15G	0220FG02AC	T684	LEVER ARM	1
16G	00PE056112	T683	SPR PIN SI 5/16 x 1-1/2 NC	1
17G	00CHPI2300	T101	DRUM PILLOW BLOCK	2
18G	0000GRH045	T102	BEARING FITTING GREASE 45 DEG	2
19G	TOCD012212	T104	HEX HEAD CAP SCREW 1/2" x 2-1/2"	4
20G	RNPX012GAL	T105	PLAIN WASHER 1/2"	6

21G	TCCS012GAL	T106	HEX LOCKNUT 1/2"	12
22G	0000RF01CH	T109	TOWING/DUMPING LOCK PIN SPRING	1
23G	RNPX034GAL	T108	TOWING/DUMPING PIN LOCK PLAIN WASHER 3/4"	1
24G	0220FG01AC	T682	LEVER BRACKET	1
25G	RNPX038GAL	T112	PLAIN WASHER, 3/8"	4
26G	TOCD038200	T145	HEX HEAD SCREW 3/8" x 2"	2
27G	0000RF01CH	C-163	SPRINGS	2
28G	0222CO01RD	T381	AXLE MM12G NO HUBS	1
28G	0222CO01RD-1	T381-1	AXLE ASSEMBLY MM12G W/HUBS	1
29G	0200KI03RD	T129-1	HIGH SPEED WEELS AXLE HUBS ASSEY WITH DUST CAP (4 BOLTS) (NEW STYLE)	2
30G	0000CO01RD	T137	WHEEL AND TIRE ASSEY 165-80-R13" MM8 - MM12	2
31G	0000RF10RD	T136-1	HIGH SPEED WHEELS HUB, DUST CAP (NEW STYLE)	2
32G	TCCS038GAL	T114	LOCK NUT HEX, 3/8"	2
33G	RNRX038GAL	T113	LOCK WASHER, 3/8"	4
34G	RNPX034GAL	T108	TOWING/DUMPING PIN LOCK PLAIN WASHER 3/4"	1
35G	SC18112NOR	T135	PIN COTTER 1/8" x 1-1/2"	3

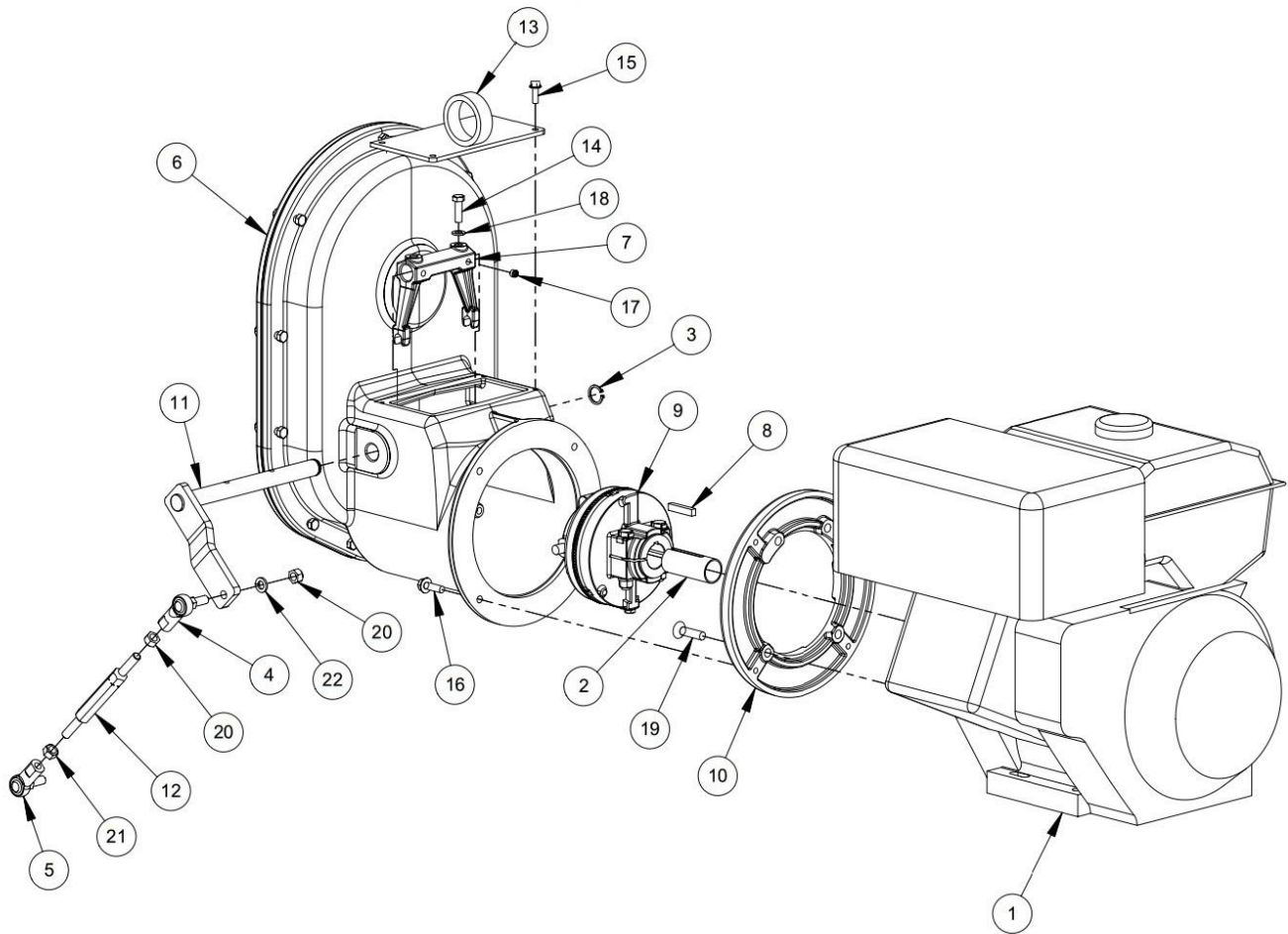
HOOD ASSEMBLY



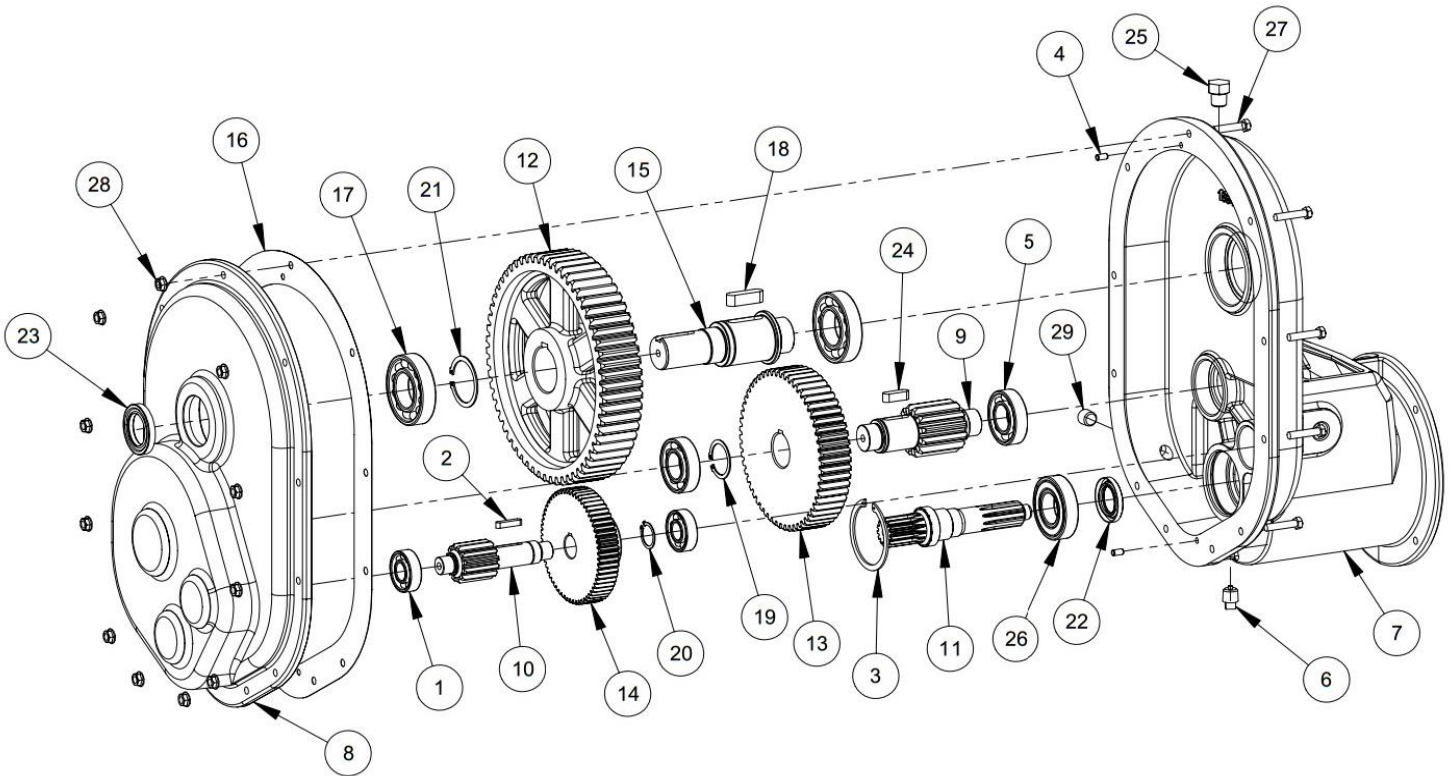
HOOD ASSEMBLY BREAK DOWN					
#	MANUF. #	PART #	DESCRIPTION	MM12	MM12G
1	0000RF01GA	T158	SHROUD RUBBER SCREW	2	2
2	0221CO01GA	T157-12	SQUARE SHROUD ASSEY COMPLETE MM12	1	
2	0220CO01GA	T157-12G	SQUARE SHROUD ASSEY COMPLETE MM12G		1
3	0200KI01GA	T193	SHROUD ASSEMBLY PUSH STOP WITH ENGINE HARNESS	1	1
3	0000RF04GA	T195	ENGINE KILL SWITCH (NO HARNESS) BLACK	1	1
3	816769AS NO	T195-1	ENGINE KILL SWITCH (NO HARNESS) - 816769AS RED	1	1
4	0000RF02GA	T160	SHROUD SPRING LOADED HOOK ASSEMBLY	2	2
5	RNPX038GAL	T112	PLAIN WASHER, 3/8"	8	8
6	TCCS038GAL	T114	LOCK NUT HEX, 3/8"	4	4
7	TOCD038112	T176	HEX HEAD SCREW 3/8" X 1-1/2"	4	4



TRANSM. ASSEY BREAK MMG				
#	MANUF. #	PART #	DESCRIPTION	MM12G
1G	TOCD038200	T145	HEX HEAD SCREW 3/8" x 2"	4
2G	RNPX038GAL	T112	PLAIN WASHER 3/8"	8
3G	TCCS038GAL	T114	LOCK NUT 3/8"	4
4G	0220RF01BX	T706	SPROCKET COUPLER	2
5G	0220RF02BX	T707	CHAIN COUPLER WITH MASTER LINK	1
6G	0220CC2BX	T708	KEY, 3/8" X 1-5/8"	2
7G	0220RF02BX-1	T707-1	MASTER LINK	1
8G	MM12GBOX	N/A	COMPLETE GEARBOX	1



CLUTCH ASSEY BREAK MMG				
#	MANUF. #	PART #	DESCRIPTION	MM12G
1G	202012M	T508	ENG. HON, 13HP, GX390K1QA6	1
2G	0220TU01BX	T688	BUSHING, HONDA GX340 PTO	1
3G	SM00116EXT	T705	RETAINING RING EXTERNAL 11/16"	1
4G	0220CO03BX	T703	BALL JOINT	1
5G	0220CO04BX	T704	BALL JOINT LEFT HAND	1
6G	0220CO02BX	T702	GEARBOX SHELL	1
7G	0220CO01BX	T701	CLUTCH YOKE	1
8G	0220CC01BX	T700	KEY, 1/4" X 5/16" X 1-1/2" LONG	1
9G	0220CU01BX	T699	CLUTCH	1
10G	0220LA01CH	T698	ADAPTER, HONDA ENGINE	1
11G	0220TU02BX	T697	LEVER, CLUTCH YOKE	1
12G	0220CR01BX	T696	LINKAGE ROD	1
13G	0220TU03BX	T695	CLUTCH COVER	1
14G	TOCY056100	T694	BOLT, HEXHD, 5/16" X 1" GR8	2
15G	TOCV014034	T692	FLANGE BOLT, 1/4"-20 X 3/4"	4
16G	TOCV056100	T693	FLANGE BOLT, 5/16"-18 X 1"	4
17G	OPCR056014	T691	SET SCREW, 5/16"-24 X 1/4"	2
18G	RNRX056GAL	T198	SPRING WASHER, 5/16"	2
19G	TOCT038114	T690	FLAT HEAD SCREW, 3/8"-16 X 1-1/4"	4
20G	TCCN038GAL	T410	HEX NUT, 3/8"-24	2
21G	TCCI038GAL	T689	HEX NUT, 3/8"-24 LEFT HAND	1
22G	RNRX012GAL	T112	SPRING WASHER, 3/8"	1



GEARBOX ASSEY BREAK MMG

#	MANUF. #	PART #	DESCRIPTION	MM12G
1G	ASK #		BALL BEARING	2
2G	ASK #		KEY, 1/4" SQUARE x 1-1/4" LONG	1
3G	ASK #		RETAINING RING, INTERNAL	1
4G	ASK #		DOWEL PIN	2
5G	ASK #		BALL BEARING 6202	2
6G	ASK #		DRAIN PLUG, MAGNETIC	1
7G	ASK #		GEARCASE	1
8G	ASK #		GEARCASE COVER	1
9G	ASK #		PINION SHAFT, 2"	1
10G	ASK #		PINION SHAFT, 1-1/2"	1
11G	ASK #		INPUT SHAFT	1
12G	ASK #		GEAR, 10"	1
13G	ASK #		GEAR, 7"	1
14G	ASK #		GEAR, 5"	1
15G	ASK #		OUTPUT SHAFT	1
16G	ASK #		GASKET	1
17G	ASK #		BALL BEARING - 6208	2
18G	ASK #		KEY, 1/2" SQUARE x 1-3/4" LONG	1
19G	ASK #		RETAINING RING, EXTERNAL	1
20G	ASK #		RETAINING RING, EXTERNAL	1
21G	ASK #		RETAINING RING, EXTERNAL	1
22G	ASK #		SEAL, INPUT SHAFT	1
23G	ASK #		SEAL, OUTPUT SHAFT	1
24G	ASK #		KEY, 3/8" SQUARE x 1-1/4" LONG	1
25G	ASK #		BREATHER PLUG	1
26G	ASK #		BALL BEARING, SEALED 6207-2RS	1
27G	ASK #		HEX HEAD CAP SCREW, 5/16-18 x 1-1/2"	11
28G	ASK #		FLANGE NUT, 5/16-18	11
29G	ASK #		CHECK PLUG	1