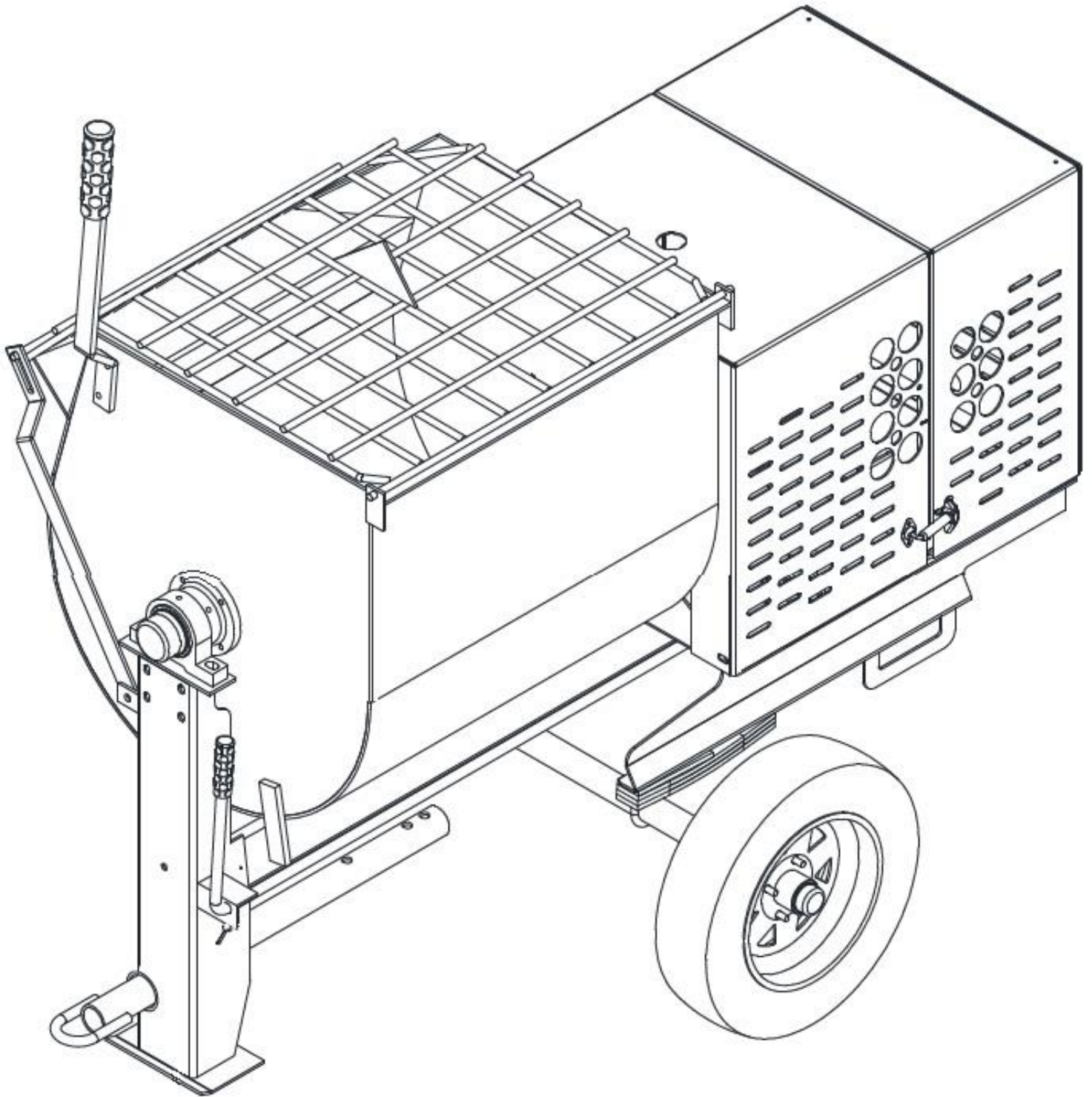
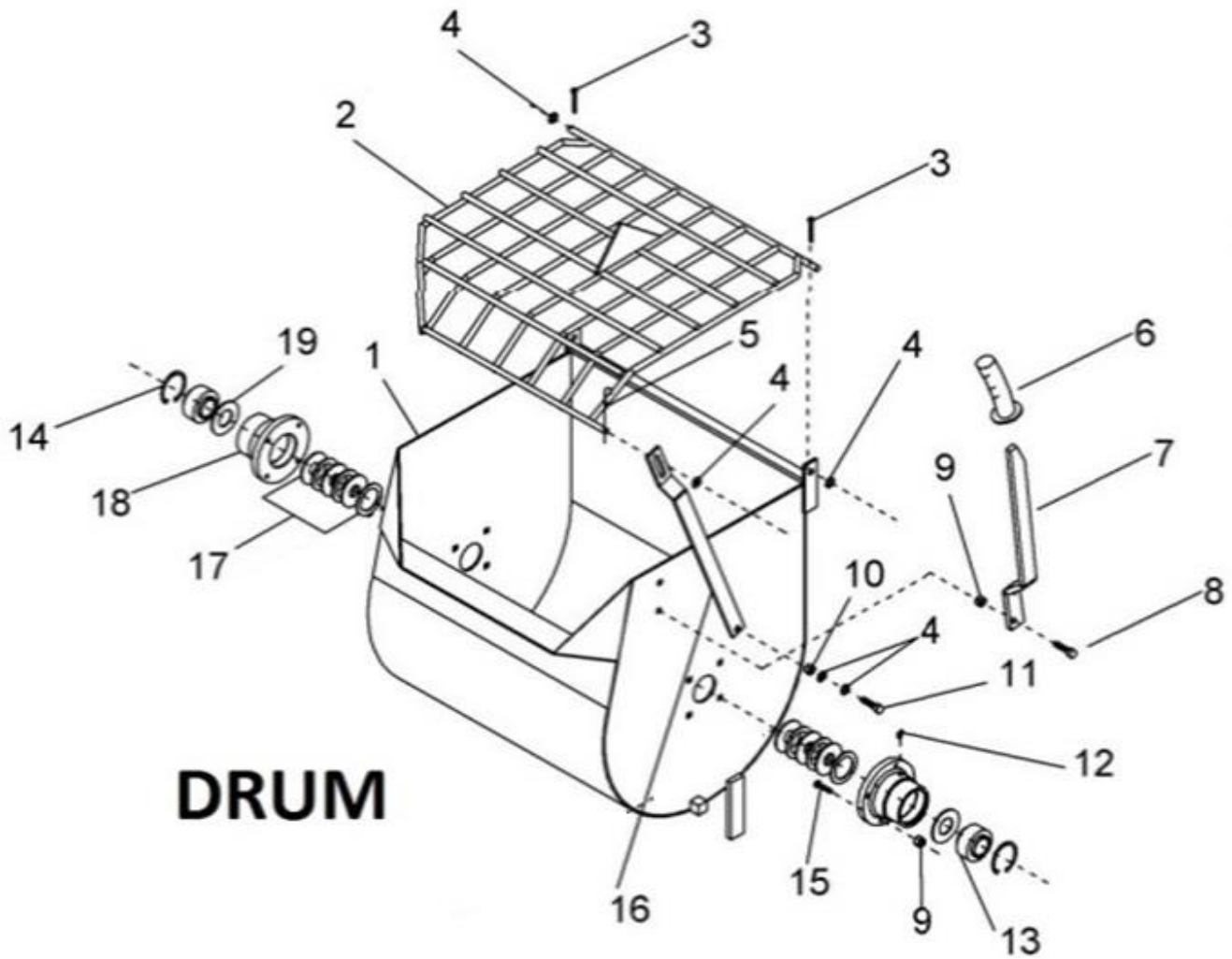


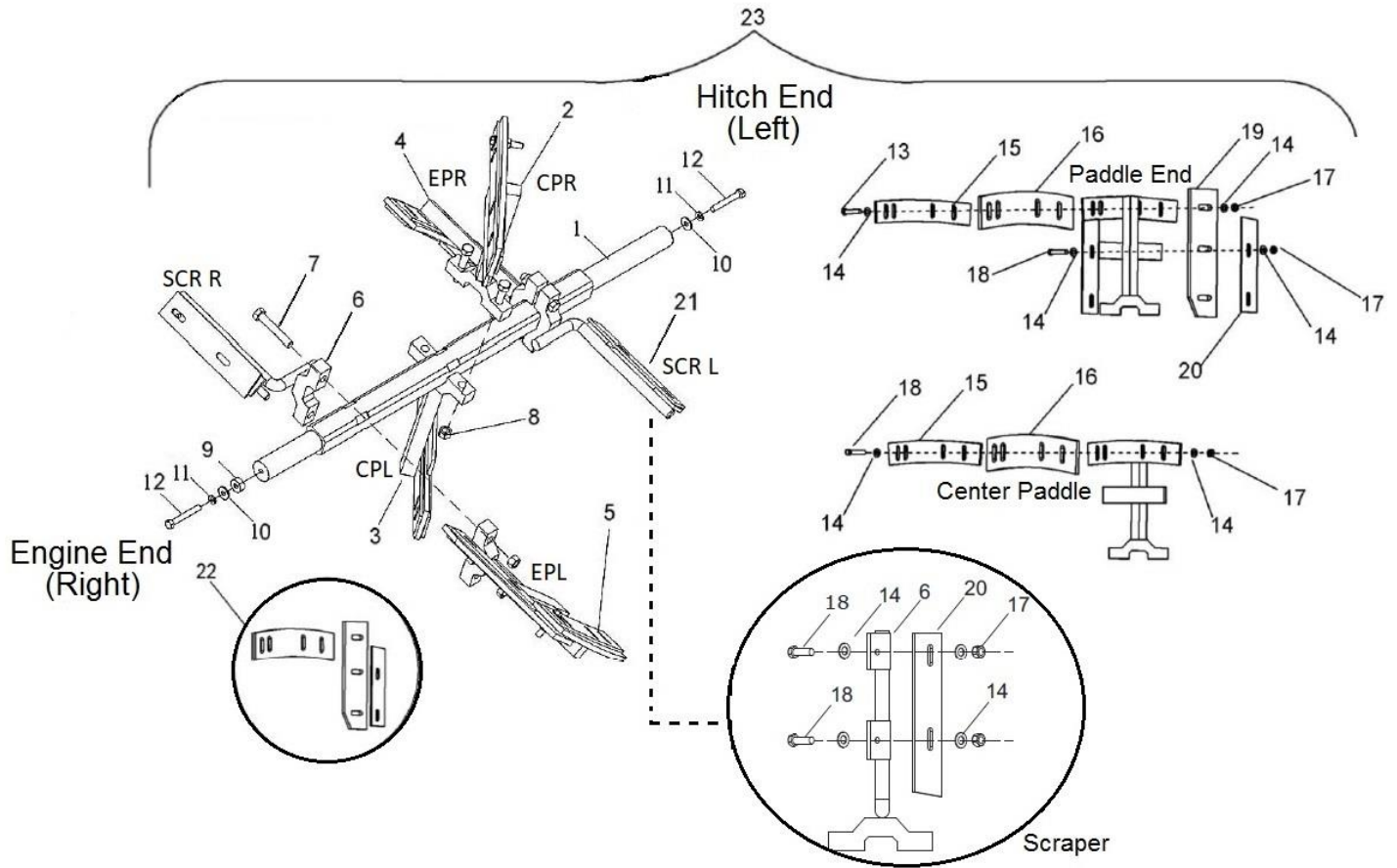
MM12 (BELT DRIVE) PARTS BREAKDOWN



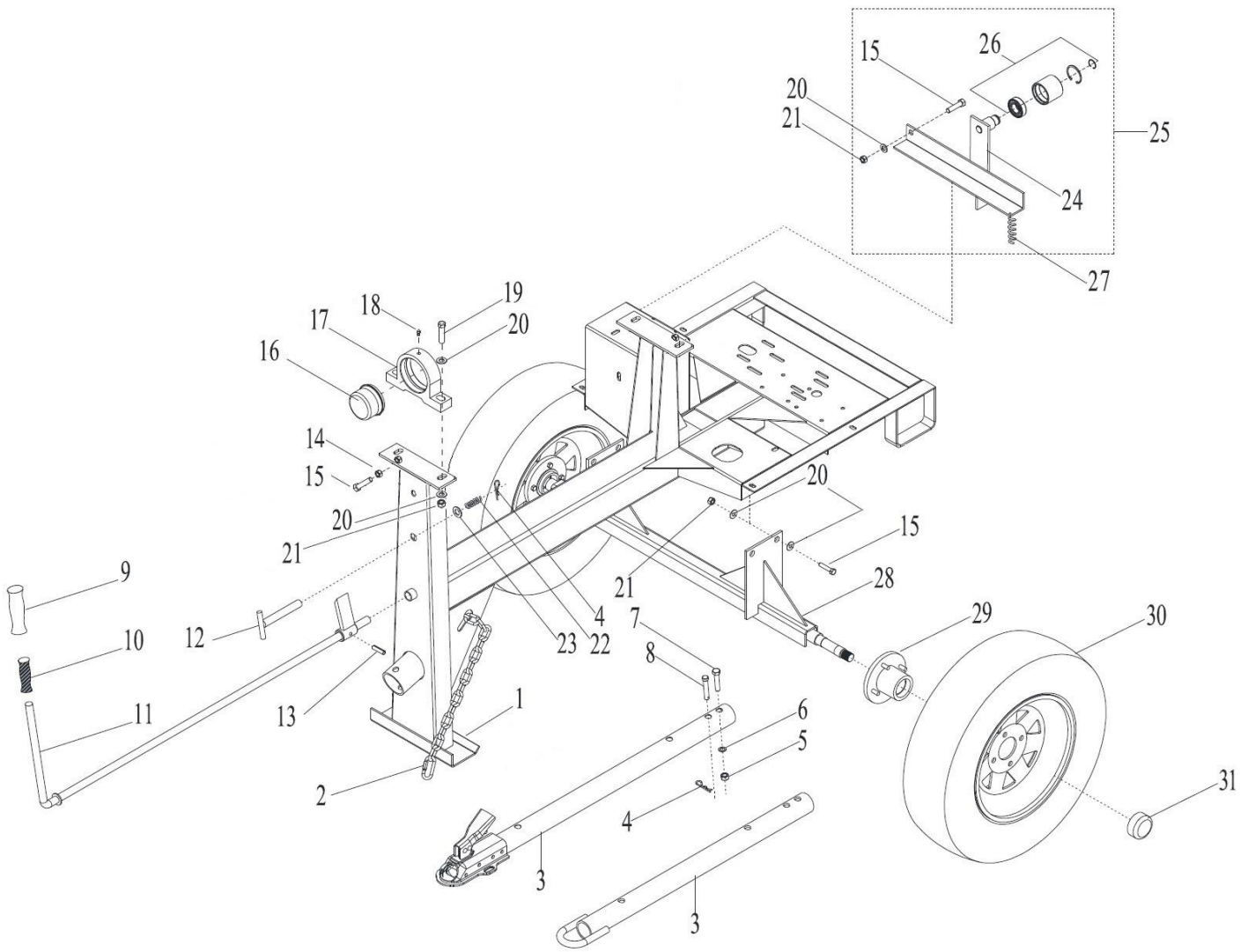


DRUM

DRUM ASSEMBLY BREAK DOWN					
ITEM	M.I.D. #	PART #	DESCRIPTION	MM12	MM12G
1	0204CO01TQ	T602	DRUM MM12-MM12G 32-1/2" (NEW STYLE)	1	1
1	0204KI01EF	T602-1	DRUM ASSEMBLY COMPLETE MM12-MM12G 32-1/2" (NEW STYLE)	1	1
2	0204CO01RJ	T603	DRUM GRID W/ BAG CUTTER MM12-MM12G	1	1
3	SC3116200GAL	T111	GRID PIN COTTER, 3/16" X 2"	2	2
4	RNPX012GAL	T105	PLAIN WASHER 1/2"	5	5
5	SR00036EXT	T110	GRID/HITCH HAIR LOCK PIN 3/16"	3	3
6	0000RF01RJ	T166	DUMPING & CONTROL HANDLE GRIP	1	1
7	0200CO01TQ	T168	DRUM DUMPINHG HANDLE ASSEY WITH GRIP	1	1
8	TOCD038112	T176	HEX HEAD SCREW 3/8" X 1-1/2"	2	2
9	TCCS038GAL	T114	LOCK NUT HEX, 3/8"	10	10
10	TCCS012GAL	T106	HEX LOCKNUT 1/2"	1	1
11	TOCD012134	T189	HEX HEAD CAP SCREW 1/2" X 1-3/4"	1	1
12	0000GRH045	T102	BEARING FITTING GREASE 45 DEG	2	2
13	0000BA20824	T175	DRUM TRUNNION BEARING KIT W/FITTING	2	2
14	SM00300INT	T177	DRUM TRUNNION RETAINING RING 3"	2	2
15	TOCL038112	T174	DRUM TRUNNION CARRIAGE BOLT 3/8" x 1-1/2"	8	8
16	0200SO01RJ	T115	DRUM DUMPING LOCK BAR	1	1
17	0200KI01TN	T172	DRUM HUB SEALS KIT (ONE END)	2	2
18	0200CO01TN	T173-2	4 HOLES DRUM TRUNNION FOR 3/8" HEX SCREWS	1	1
19	0200LA01TN	T169	DRUM HUB STEEL SEALS	2	2



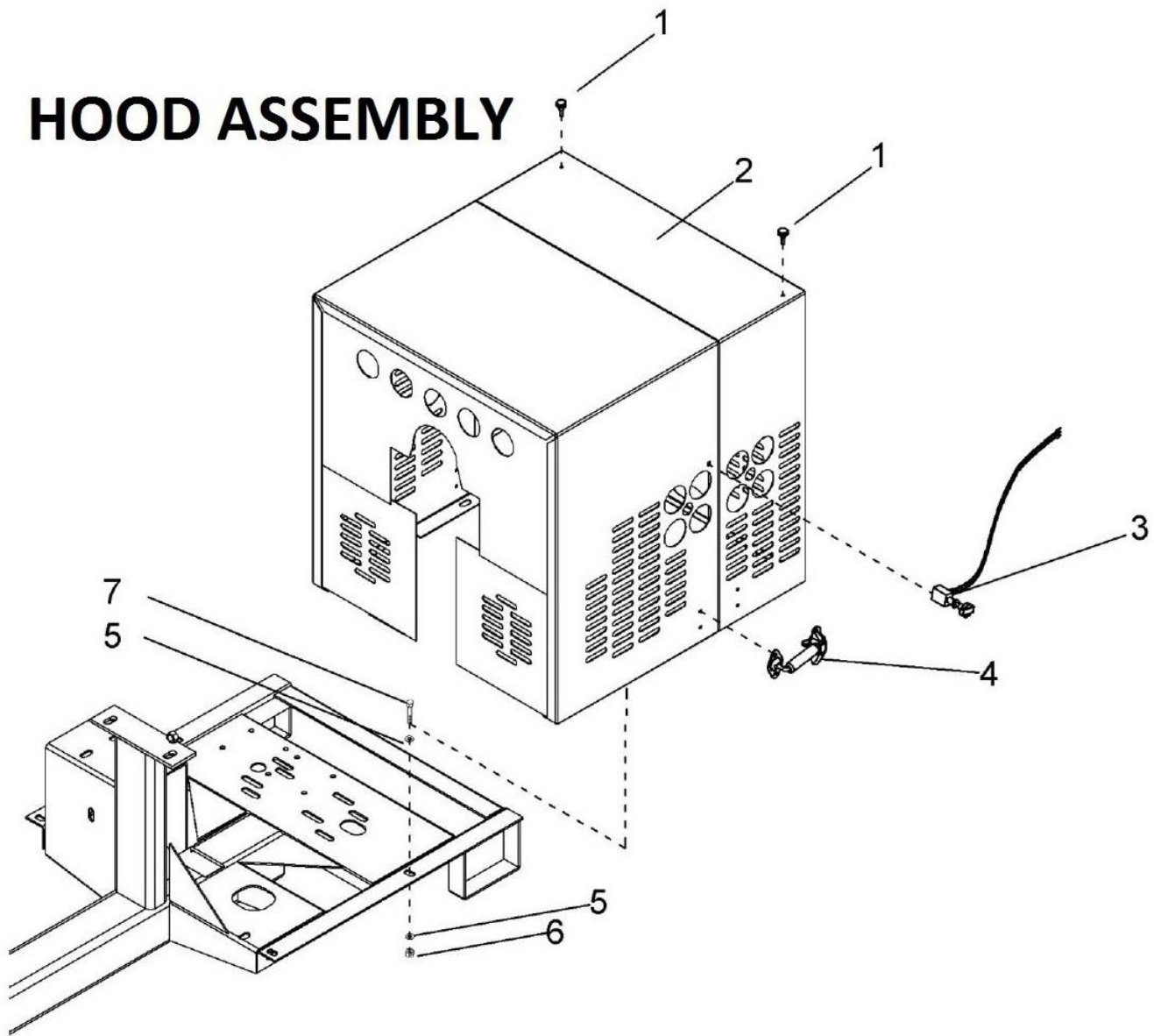
PADDLE ASSEY					
ITEM	MANUF. #	PART #	DESCRIPTION	MM12	MM12G
1	0203CR01CH	T404	SQUARE MAIN SHAFT 1-3/4 x 43 5/8 MM10-MM12	1	
1	0220CR01FC	T654	SQUARE MAIN SHAFT MM12G 1-3/4" MM12G		1
2	0204CO01AS-1	T606-2	CENTER PADDLE RIGHT ARM MM12 - MM12G (1" THICKNESS)	1	1
3	0204CO02AS-1	T408-2	CENTER PADDLE LEFT ARM MM12- MM12G (1" THICKNESS)	1	1
4	0204CO04AS-1	T614-2	END PADDLE RIGHT ARM MM12 -MM12G (1" THICKNESS)	1	1
5	0204CO03AS-1	T609-2	END PADDLE LEFT ARM MM12 - MM12G (1" THICKNESS)	1	1
6	0202CO02RP	T600	END SCRAPER LEFT MM12 (1" THICKNESS)	1	1
7	TOCD012312	N/A	HEX HEAD CAP SCREW 1/2" X 3-1/2" (1" TICKNESS PADDLES)	6	6
8	TCCS012GAL	T106	HEX LOCKNUT 1/2"	6	6
9	0200TU01FC	T413	MAIN SHAFT BUSHING	1	
10	0200PL01FC	T152	MAIN SHAFT PLAIN WASHER 3/16"	2	
11	RNRX038GAL	T113	LOCK WASHER, 3/8"	2	
12	TOCD038100	T116	MAIN SHAFT HEX HEAD SCREW 3/8 x 1 NF	2	
13	TOCD038200	T145	HEX HEAD SCREW 3/8" x 2"	4	4
14	RNPX038GAL	T112	PLAIN WASHER, 3/8"	40	40
15	0201RF01AS	T180	CENTER PADDLE RUBBER BLADE MM6 - MM12	4	4
16	0200SO01AS	T181	CENTER PADDLE STEEL BLADE 3/8" MM6 - MM12	4	4
17	TCCS038GAL	T114	LOCK NUT HEX, 3/8"	20	20
18	TOCD038112	T176	HEX HEAD SCREW 3/8" X 1-1/2"	18	18
19	0200RF02AS	T310	END PADDLE SIDE RUBBER BLADE MM8 - HM12	2	2
20	0200SO02AS	T311	END PADDLE SIDE STEEL BLADE MM8 - MM12	2	2
21	0202CO01RP	T598	END SCRAPER RIGHT MM12 (1" THICKNESS)	1	1
COMPLETE PADDLE/RUBBER KITS					
22	0200KI03AS	T301	RUBBER BLADE KIT MM8-MM12-HM12	1	1
23	0204KI01AS-1	T606-3	COMPLETE PADDLE SET MM12 -MM12G (1" THICKNESS)	1	1



MM FRAME ASSEY				
#	MANUF. #	PART #	DESCRIPTION ENGLISH	MM12
1	0204CO01CH	T500	FRAME MM12	1
2	CA03316GAL	T501	5/16" SAFETY CHAIN	1
3	0000CO03LZ	T118-V	PINTLE HITCH (VERTICAL HOLE)	1
3	0000CO04LZ	T119-V	2" BALL HITCH (VERTICAL HOLE)	1
4	SR00036EXT	T110	GRID/HITCH HAIR LOCK PIN 3/16"	1
5	TCFN034GAL	T124	TOWING HITCH SAFETY HEX HEAD NUT 3/4"	1
6	RNRX034GAL	T123	TOWING HITCH SAFETY LOCK WASHER 3/4"	1
7	TOFD034312	T122	HEX HEAD SCREW 3/4" x 3-1/2"	1
8	0000CR01LZ	T121	TOWING HITCH SAFETY PIN LOCK	1
9	0000RF01RJ	T166	DUMPING & CONTROL HANDLE GRIP	1
10	0000RF02TQ	T414	CONTROL HANDLE INSIDE GRIP HOLDER	1
11	0203CO01CU	T415	ENGAGEMENT CONTROL HANDLE LEVER MM10-MM12	1
12	0200CO01CH	T107	TOWING/DUMPING SPRING LOADED LOCK PIN	1
13	00PE038112	T505	CONTROL HANDLE LOCK PIN 3/8" x 1-1/2"	1
14	TCCN012GAL	T190	DRUM PILLOW BLOCK HEX NUT 1/2" WELDED TO FRAME	1
15	TOCD012134	T189	HEX HEAD CAP SCREW 1/2" X 1-3/4"	1
16	0000RF02CH	T126	DRUM BEARINGS DUST CAP UPGRADE	1
17	00CHPI2300	T101	DRUM PILLOW BLOCK	2
18	0000GRH045	T102	BEARING FITTING GREASE 45 DEG	2
19	TOCD012212	T104	HEX HEAD CAP SCREW 1/2" x 2-1/2"	4

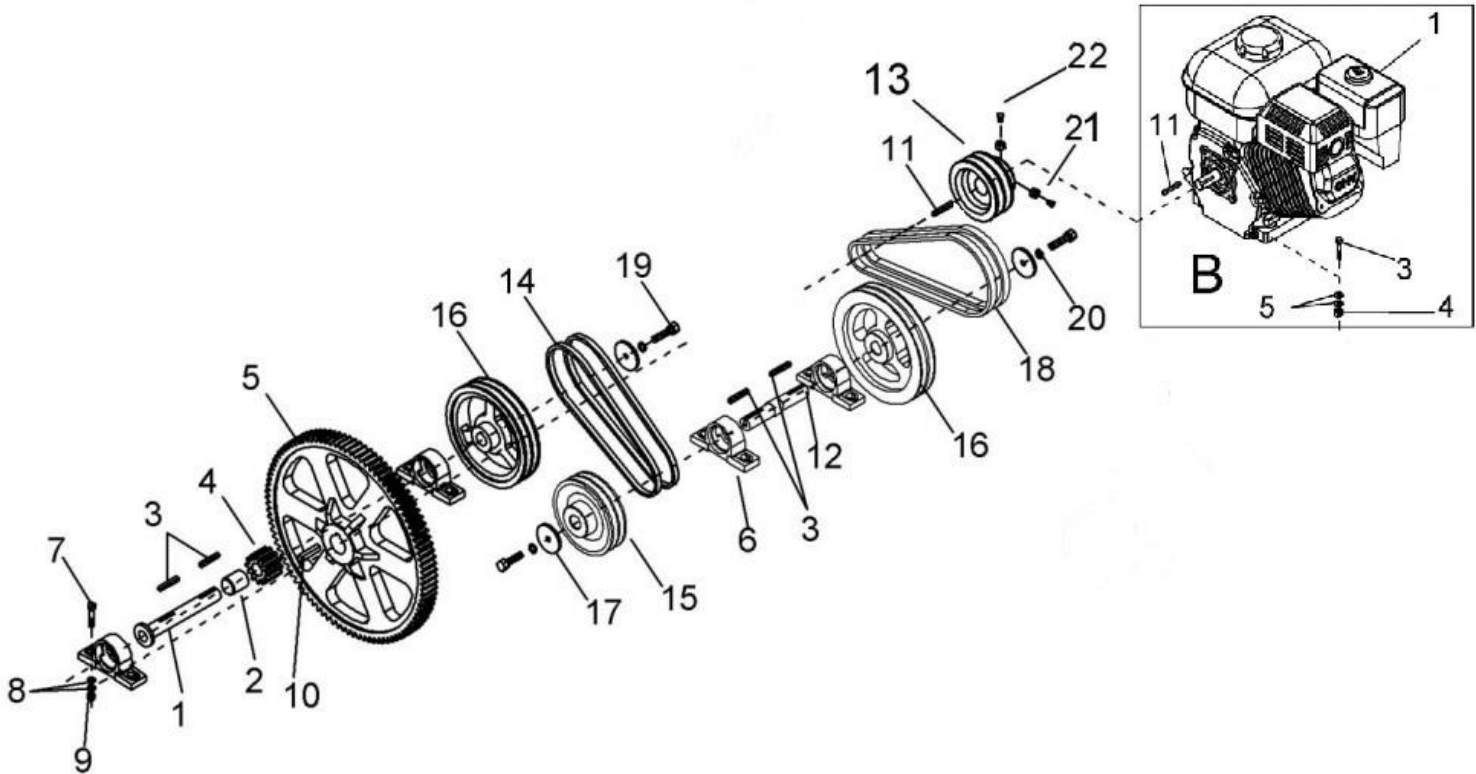
20	RNPX012GAL	T105	PLAIN WASHER 1/2"	17
21	TCCS012GAL	T106	HEX LOCKNUT 1/2"	9
21	TCCS012GAL	T106	HEX LOCKNUT 1/2"	9
22	0000RF01CH	T109	TOWING/DUMPING LOCK PIN SPRING	1
23	RNPX034GAL	T108	TOWING/DUMPING PIN LOCK PLAIN WASHER 3/4"	1
24	0200CO02CU	T140	IDLER ARM BRACKET (NO BEARING)	1
25	0200CO04CU	T197	BEARING CLUTCH ASSEY WITH IDLER ARM BRACKET	1
26	0200KI01CU	T197-1	BEARING CLUTCH ASSEY	1
27	0000RF01CU	T192	IDLER ARM SPRING	1
28	0200CO03RD	T125-2	STANDARD 46" AXLE MM6 - MM12	1
28	0200CO04RD	T125-3	AXLE ASSY W/ WHEEL HUBS	1
29	0200KI03RD	T129-1	HIGH SPEED WEELS AXLE HUBS ASSEY WITH DUST CAP (4 BOLTS) (NEW STYLE)	2
30	0000CO01RD	T137	WHEEL AND TIRE ASSEY 165-80-R13" MM8 - MM12	2
31	0000RF10RD	T136-1	HIGH SPEED WHEELS HUB, DUST CAP (NEW STYLE)	2

HOOD ASSEMBLY



HOOD ASSEMBLY BREAK DOWN					
#	MANUF. #	PART #	DESCRIPTION	MM12	MM12G
1	0000RF01GA	T158	SHROUD RUBBER SCREW	2	2
2	0221CO01GA	T157-12	SQUARE SHROUD ASSEY COMPLETE MM12	1	
2	0220CO01GA	T157-12G	SQUARE SHROUD ASSEY COMPLETE MM12G		1
3	0200KI01GA	T193	SHROUD ASSEMBLY PUSH STOP WITH ENGINE HARNESS	1	1
3	0000RF04GA	T195	ENGINE KILL SWITCH (NO HARNESS) BLACK	1	1
3	816769AS NO	T195-1	ENGINE KILL SWITCH (NO HARNESS) - 816769AS RED	1	1
4	0000RF02GA	T160	SHROUD SPRING LOADED HOOK ASSEMBLY	2	2
5	RNPX038GAL	T112	PLAIN WASHER, 3/8"	8	8
6	TCCS038GAL	T114	LOCK NUT HEX, 3/8"	4	4
7	TOCD038112	T176	HEX HEAD SCREW 3/8" X 1-1/2"	4	4

ENGINE



TRANSM. ASSEY MM				
#	MANUF. #	PART #	DESCRIPTION	MM12
1	0204CR02TR	T474	MM12 TRANSMISSION SHAFT 1" x 6-1/2" (BULLGEAR END)	1
2	0204CR03TR	T475	MM12 TRANSMISSION BUSHING 1" x 1"	1
3	0000CU01TR	T483	TRANSMISSION KEY 1/4 x 1-1/4"	4
4	0200CR04TR	T149	TRANSMISSION PINION (12 TOOTH) 2-3/8" X 2-1/2"	1
5	0200FG02TR	T151	96 TOOTH BULL GEAR 14-1/4"	1
6	00CHPI2100	T150	TRANSMISSION PILLOW BLOCK w/1" BEARING	4
7	TOCD038200	T145	HEX HEAD SCREW 3/8" x 2"	8
8	RNPX038GAL	T112	PLAIN WASHER, 3/8"	16
9	TCCS038GAL	T114	LOCK NUT HEX, 3/8"	8
10	0200CC01TR	T120	96 TOOTH BULL GEAR KEY 3/8" X 2"	1
11	0200CU02TR	T147	ENGINE KEY FOR 8HP & 13HP HONDA 1/4"	1
12	0204CR01TR	T476	MM12 TRANSMISSION SHAFT 1" X 6-7/8" (BETWEEN PULLEYS)	1
13	POFG3341002R	T154	2 GROOVES 8 -13 HP GAS ENGINE PULLEY 3-3/4" X 1"	1
13	POFG2120582R	T154-3	2 GROOVES ELECTRIC MOTOR PULLEY 2.5" x 5/8"	1
13	POFG2120782R	T1000	2 GROOVES ELECTRIC MOTOR PULLEY 2-1/2" x 7/8"	1
13	POFG2121182R	T1001	2 GROOVES ELECTRIC MOTOR PULLEY 2-1/2" x 1-1/8"	1
15	POFG6001002R	T478	2 GROOVES TRANSMISSION PULLEY 6"	1

16	POFG8001002R	T153	2 GROOVES TRANSMISSION PULLEY 8"	2
17	0200PL01FC	T152	MAIN SHAFT PLAIN WASHER 3/16"	3
18	0000BNAX37	T155	GAS ENGINE TRASMISSION BELT, AX37	2
19	TOCD038100	T116	HEX HEAD SCREW 3/8 x 1 NF	3
20	RNRX038GAL	T113	LOCK WASHER, 3/8"	2
21	OPCQ038100	T203	8HP - 13HP ENGINE PULLEY SET SCREW 3/8" X 1"	2
22	TCCN038GAL	T410	ENGINE PULLEY HANDLE HEX NUT 3/8 NC	2

ENGINE ASSEMBLY				
#	MANUF. #	PART #	DESCRIPTION	MM12
1	2020013M	T304	HONDA ENGINE GX390 WITH 6:1 REDUCER	1
3	TOCD038200	C158	HEX HEAD SCREW, 3/8" x 2"	4
4	TCCS038GAL	C142	HEX LOCK NUT, 3/8	4
5	RNPX038GAL	C139	PLAIN WASHERS, 3/8"	8

Octavio Chavez

North America Sales Manager

manager@tkequip.com

www.tkequip.com



Phone Line: (956) 796-9411

Fax: (956) 462-2500

Jaime Ortiz

Parts & Customer Service

parts@btmequipment.com

service@btmequipment.com