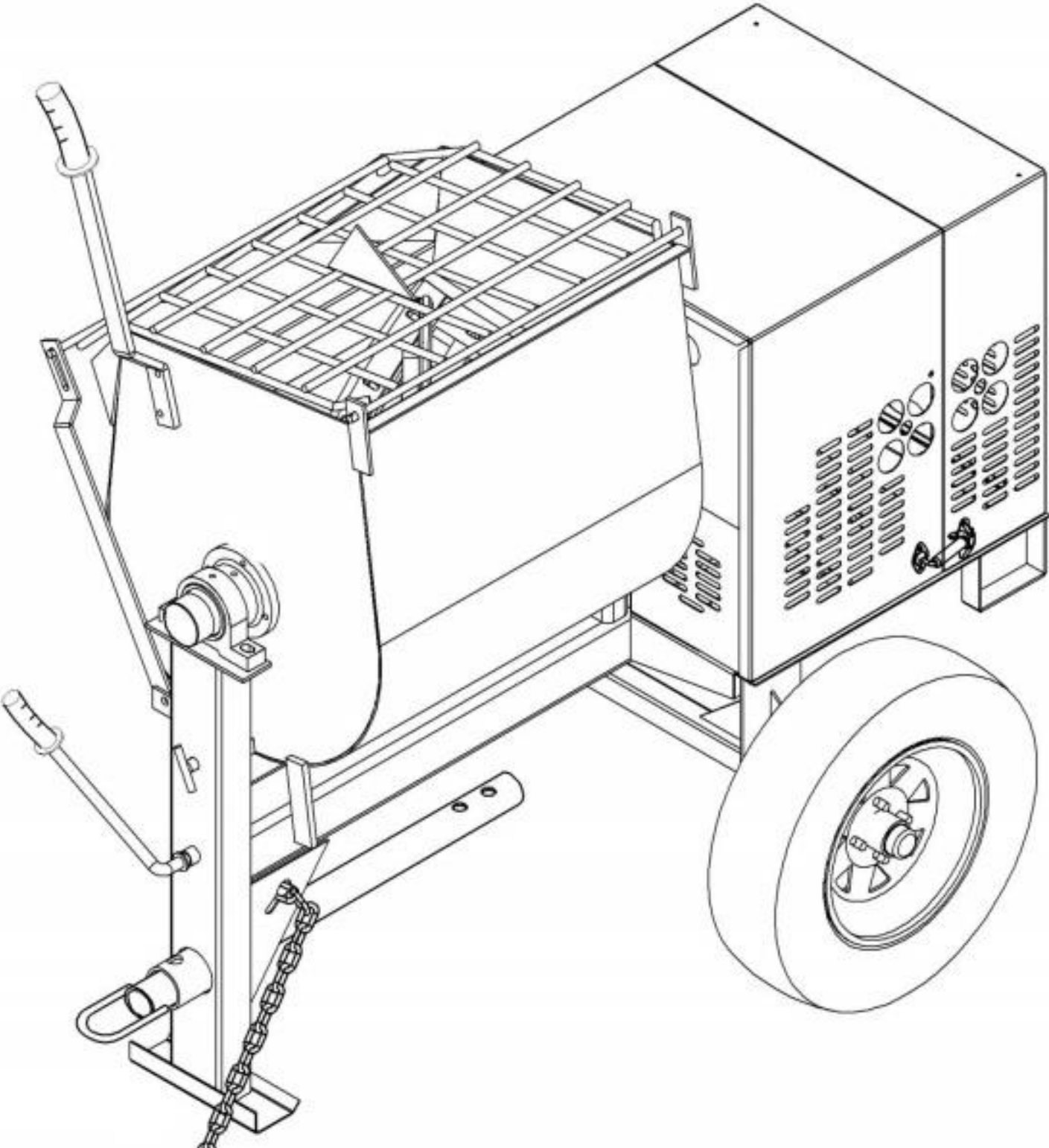
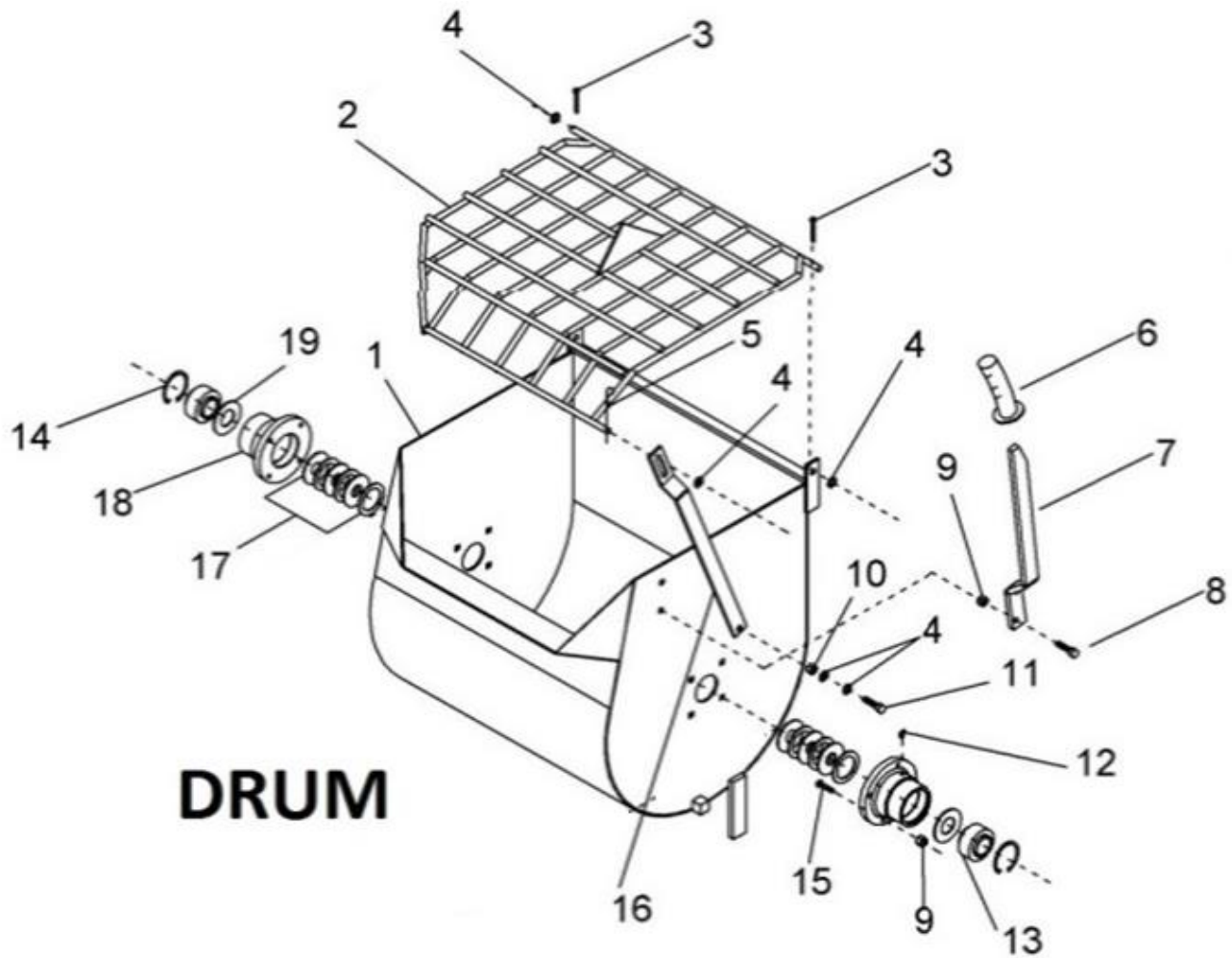


MM6 – MM8 – MM10 PARTS BREAKDOWN





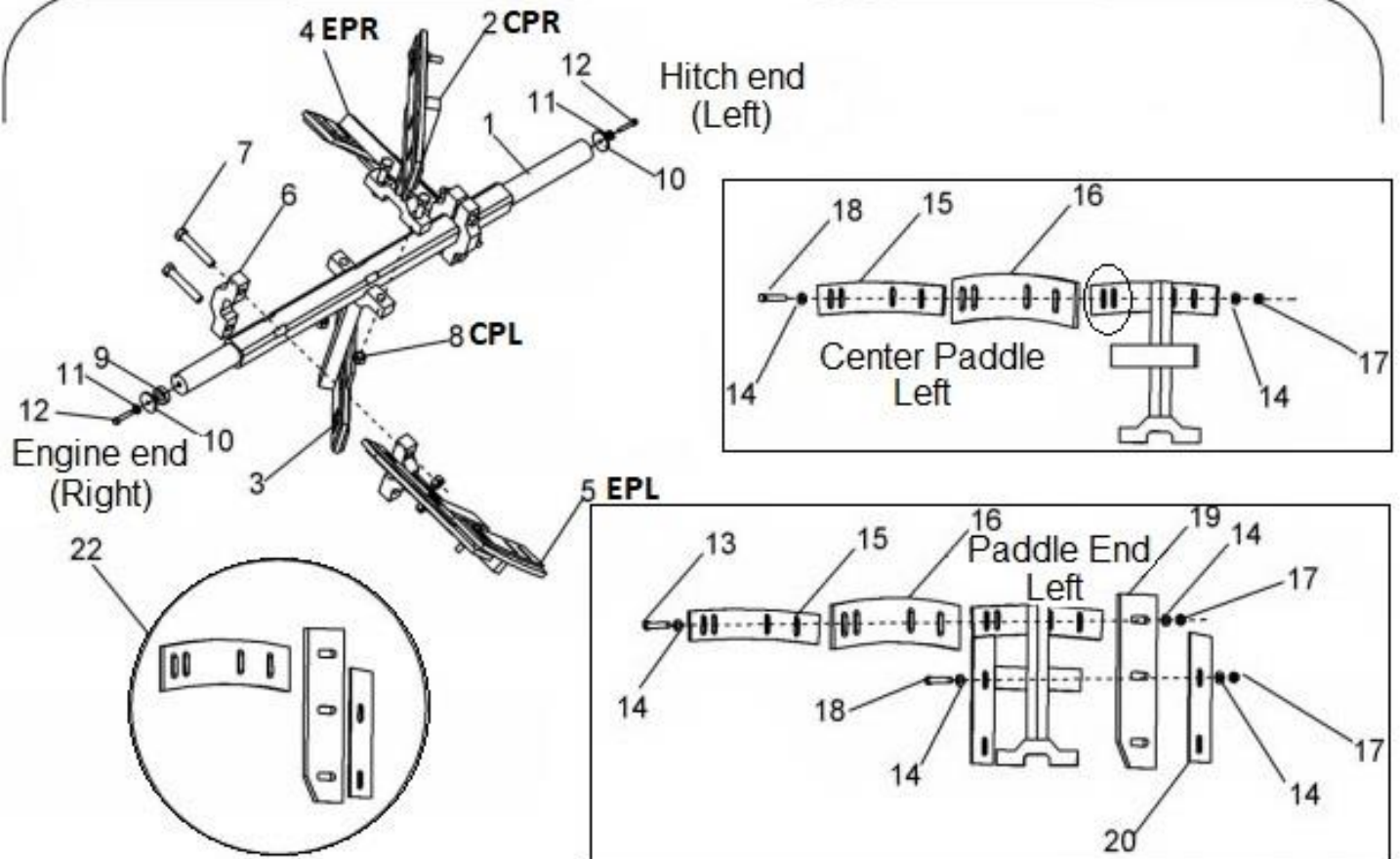
DRUM

DRUM ASSEMBLY BREAKDOWN						
ITEM	M.I.D. #	PART #	DESCRIPTION	MM6	MM8	MM10
1	X	T164	OLD STYLE DRUM MM6 (25-3/4")	1		
1	X	T211-0	OLD STYLE DRUM ASSY MM6 (25-3/4")	1		
1	0201CO01TQ	T164-1	DRUM MM6 (27-3/4")	1		
1	0201KI01TQ	T211	DRUM ASSY COMPLETE MM6 (27-3/4")	1		
1	0202CO01TQ	T302	DRUM MM8 (27-3/4")		1	
1	0202KI01TQ	T212	DRUM ASSEMBLY COMPLETE MM8 (27-3/4")		1	
1	0203CO01TQ	T402	DRUM MM10 (32-1/2")			1
1	0203KI01TQ	T213	DRUM ASSEMBLY COMPLETE MM10 (32-1/2")			1
2	0201CO01RJ	T167	DRUM GRID WITH BAG CUTTER MM6	1		
2	0202CO01RJ	T303	DRUM GRID WITH BAG CUTTER MM8		1	
2	0203CO01RJ	T403	DRUM GRID WITH BAG CUTTER MM10			1
3	SC3116200GAL	T111	GRID PIN COTTER, 3/16" X 2"	2	2	2
4	RNPX012GAL	T105	PLAIN WASHER 1/2"	5	5	5
5	SR00036EXT	T110	GRID/HITCH HAIR LOCK PIN 3/16"	3	3	3
6	0000RF01RJ	T166	DUMPING & CONTROL HANDLE GRIP	1	1	1
7	0200CO01TQ	T168	DRUM DUMPING HANDLE SOLD WITH GRIP	1	1	1
8	TOCD038112	T176	HEX HEAD SCREW 3/8" X 1-1/2"	2	2	2
9	TCCS038GAL	T114	LOCK NUT HEX, 3/8"	10	10	10
10	TCCS012GAL	T106	HEX LOCKNUT 1/2"	1	1	1
11	TOCD012134	T189	HEX HEAD CAP SCREW 1/2" X 1-3/4"	1	1	1
12	0000GRH045	T102	BEARING FITTING GREASE 45 DEG	2	2	2
13	0000BA20824	T175	DRUM TRUNNION BRG KIT W/ FITTING GREASE	2	2	2
14	SM00300INT	T177	DRUM TRUNNION RETAINING RING 3"	2	2	2

15	TOCL038112	T174	DRUM TRUNNION CARRIAGE BOLT 3/8" x 1-1/2"	8	8	8
16	0200SO01RJ	T115	DRUM DUMPING LOCK BAR	1	1	1
17	0200KI01TN	T172	DRUM HUB SEALS KIT (ONE END)	2	2	2
18	0200CO01TN	T173-2	4 HOLES DRUM TRUNNION FOR 3/8" HEX SCREWS	1	1	1
19	0200LA01TN	T169	DRUM HUB STEEL SEALS	2	2	2

21

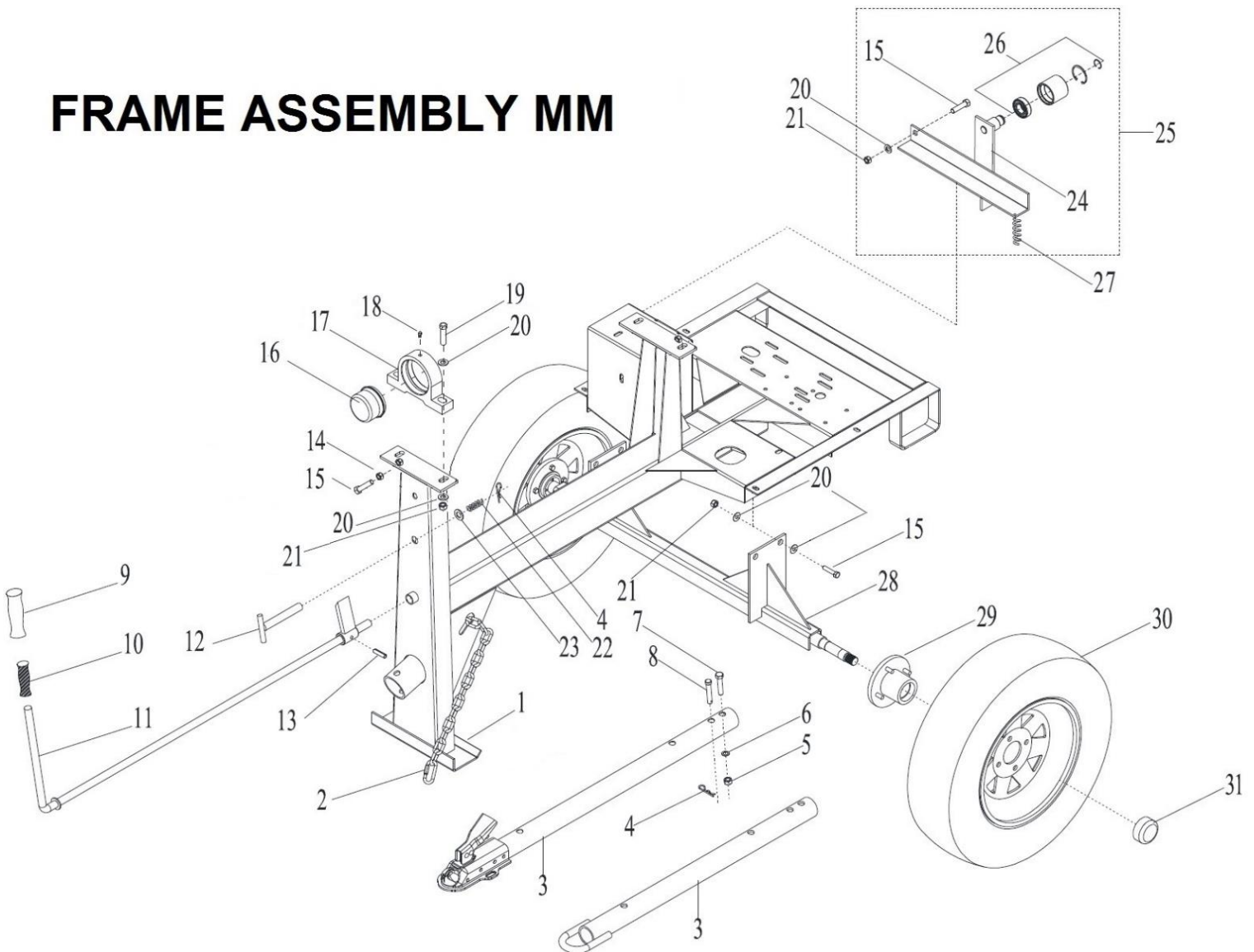
PADDLE ASSEMBLY



PADDLE ASSEMBLY						
#	M.I.D. #	PART #	DESCRIPTION	MM6	MM8	MM10
1	0202CR01CH	T305	SQUARE MAIN SHAFT MAIN 1-3/4 x 38-7/8 MM6 - MM8 (FROM SERIAL 4001 & UP)	1	1	
1	0203CR01CH	T404	SQUARE MAIN SHAFT 1-3/4 x 43-5/8 MM10-MM12			1
2	0201CO01AS-1	T179-2	CENTER PADDLE RIGHT ARM MM6 (1" THICKNESS)	1		
2	0200CO01AS-1	T306-2	CENTER PADDLE RIGHT ARM MM8 - MM10 (1" THICKNESS)		1	1
3	0202CO01AS-1	T182-2	PADDLE CENTER LEFT ARM MM6 (1" THICKNESS)	1		
3	0200CO02AS-1	T308-2	CENTER PADDLE LEFT ARM MM8 - MM10 (1" THICKNESS)		1	1
4	0201CO03AS-1	T191-2	END PADDLE RIGHT ARM MM6 (1" THICKNESS) HITCH END	1		
4	0200CO03AS-1	T314-2	END PADDLE RIGHT ARM MM8 - MM10 (1" THICKNESS) HITCH END		1	1
5	0201CO02AS-1	T183-2	END PADDLE LEFT ARM MM6 (1" THICKNESS) ENGINE END	1		
5	0200SO03AS-1	T309-2	END PADDLE LEFT ARM MM8 - MM10 (1" THICKNESS) ENGINE END		1	1
6	0200SO05AS-1	T188-2	PADDLE END LEFT AND RIGHT ARMS BRACKETS MM6 - MM12 (1" THICKNESS)	2	2	2
7	TOCD012312	120520	HEX HEAD CAP SCREW 1/2" X 3-1/2" (1" TICKNESS PADDLES)	6	6	6
8	TCCS012GAL	T106	HEX LOCKNUT 1/2"	6	6	6
9	0200TU01FC	T413	MAIN SHAFT BUSHING	1	1	1
10	0200PL01FC	T152	MAIN SHAFT PLAIN WASHER 3/16"	2	2	2
11	RNRX038GAL	T113	LOCK WASHER, 3/8"	2	2	2
12	TOCD038100	T116	MAIN SHAFT HEX HEAD SCREW 3/8 x 1 NF	2	2	2

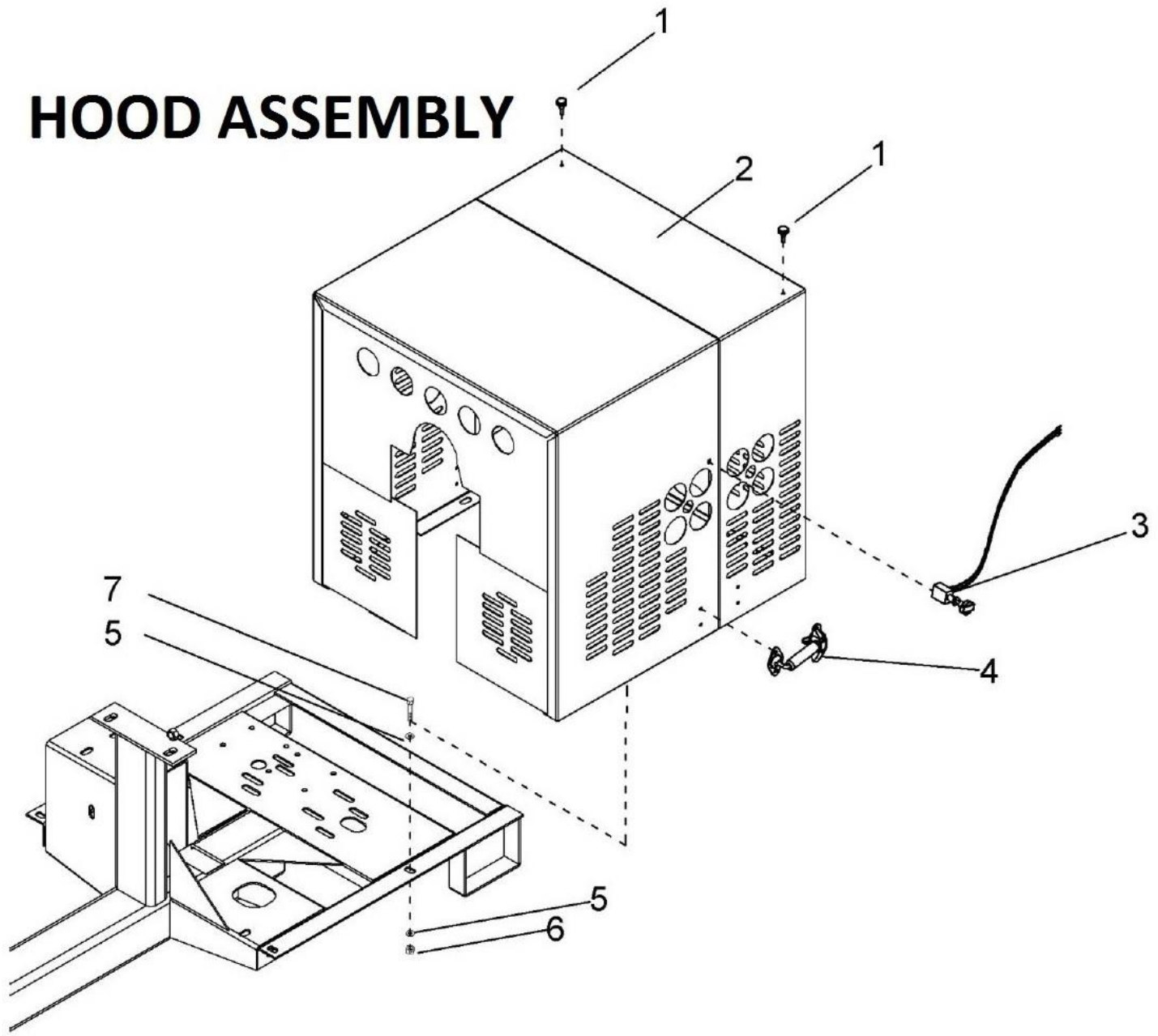
13	TOCD038200	T145	HEX HEAD SCREW 3/8" x 2"	4	4	4
14	RNPX038GAL	T112	PLAIN WASHER, 3/8"	36	40	40
15	O201RF01AS	T180	CENTER PADDLE RUBBER BLADE MM6 - MM12	4	4	4
16	O200SO01AS	T181	CENTER PADDLE STEEL BLADE 3/8" MM6 - MM12	4	4	4
17	TCCS038GAL	T114	LOCK NUT HEX, 3/8"	18	20	20
18	TOCD038112	T176	HEX HEAD SCREW 3/8" X 1-1/2"	16	18	18
19	O201RF02AS	T184	END PADDLE SIDE RUBBER BLADE MM6	2		
19	O200RF02AS	T310	END PADDLE SIDE RUBBER BLADE MM8 - MM12		2	2
20	O201SO01AS	T185	END PADDLE SIDE STEEL BLADE MM6	2		
20	O200SO02AS	T311	END PADDLE SIDE STEEL BLADE MM8 - MM12		2	2
COMPLETE PADDLE/RUBBER KITS						
21	O201KI01AS-1	T179-3	COMPLETE PADDLE SET MM6 (1" THICKNESS)	1		
21	O200KI01AS-1	T306-3	COMPLETE PADDLE SET MM8-MM10 (1" THICKNESS)		1	1
22	O201KI03AS	T301-1	RUBBER BLADE KIT MM6	1		
22	O200KI03AS	T301	RUBBER BLADE KIT MM8-MM10		1	1
SPIRAL KIT ASSEMBLY						
*	O201KI01ES	T206	MM6S SPIRAL BLADE KIT	1		
*	O203KI01ES	T206-1	M8S SPIRAL BLADE KIT		1	
*	O203KI01ES	T206-2	M10S SPIRAL BLADE KIT			1

FRAME ASSEMBLY MM



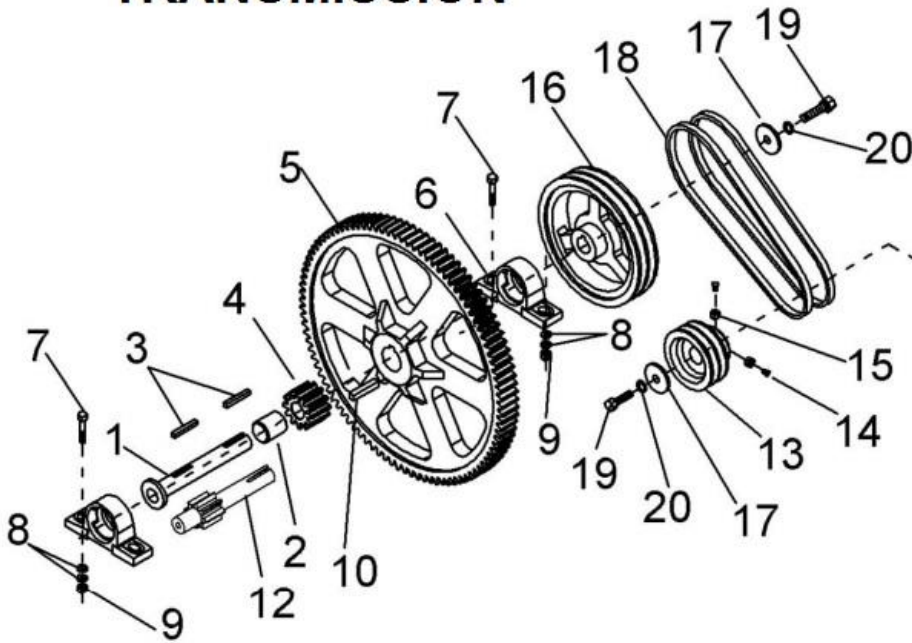
FRAME ASSEMBLY BREAK DOWN						
#	M.I.D. #	PART #	DESCRIPTION	MM6	MM8	MM10
1	0201CO01CH	T200	FRAME MM6 (FROM S# 1 TO 4000)	1		
1	0201CO01CH-1	T200-1	FRAME MM6 (FROM S# 4001 AND UP)	1		
1	0202CO01CH	T300	FRAME MM8	1	1	
1	0203CO01CH	T400	FRAME MM10			1
2	CA03316GAL	T501	5/16" SAFETY CHAIN	1	1	1
3	0000CO03LZ	T118-V	PINTLE HITCH (VERTICAL HOLE)	1	1	1
3	0000CO04LZ	T119-V	2" BALL HITCH (VERTICAL HOLE)	1	1	1
4	SR00036EXT	T110	GRID/HITCH HAIR LOCK PIN 3/16"	1	1	1
5	TCFN034GAL	T124	TOWING HITCH SAFETY HEX HEAD NUT 3/4"	1	1	1
6	RNRX034GAL	T123	TOWING HITCH SAFETY LOCK WASHER 3/4"	1	1	1
7	TOFD034312	T122	TOWING HITCH SAFETY HEX HEAD SCREW 3/4" x 3-1/2"	1	1	1
8	0000CR01LZ	T121	TOWING HITCH SAFETY PIN LOCK	1	1	1
9	0000RF01RJ	T166	DUMPING & CONTROL HANDLE GRIP	1	1	1
10	0000RF02TQ	T414	CONTROL HANDLE INSIDE GRIP HOLDER	1	1	1
11	0200CO01CU	T117	ENGAGEMENT CONTROL HANDLE LEVER MM6 - MM8	1	1	
11	0203CO01CU	T415	ENGAGEMENT CONTROL HANDLE LEVER MM10			1
12	0200CO01CH	T107	TOWING/DUMPING SPRING LOADED LOCK PIN	1	1	1
13	00PE038112	T505	CONTROL HANDLE LOCK PIN 3/8" X 1-1/2"	1	1	1
14	TCCN012GAL	T190	DRUM PILLOW BLOCK HEX NUT 1/2" WELDED TO FRAME	2	2	2
15	TOCD012134	T189	HEX HEAD CAP SCREW 1/2" X 1-3/4"	7	7	7
16	0000RF02CH	T126	DRUM BEARINGS DUST CAP	1	1	1
17	00CHPI2300	T101	DRUM PILLOW BLOCK	2	2	2
18	0000GRH045	T102	BEARING FITTING GREASE 45 DEG	2	2	2
19	TOCD012212	T104	HEX HEAD CAP SCREW 1/2" x 2-1/2"	4	4	4
20	RNPX012GAL	T105	PLAIN WASHER 1/2"	17	17	17
21	TCCS012GAL	T106	HEX LOCKNUT 1/2"	9	9	9
22	0000RF01CH	T109	TOWING/DUMPING LOCK PIN SPRING	1	1	1
23	RNPX034GAL	T108	TOWING/DUMPING PIN LOCK PLAIN WASHER 3/4"	1	1	1
24	0200CO02CU	T140	IDLER ARM BRACKET (NO BEARING)	1	1	1
25	0200CO04CU	T197	BEARING CLUTCH ASSEY WITH IDLER ARM BRACKET	1	1	1
26	0200KI01CU	T197-1	BEARING CLUTCH ASSEY	1	1	1
27	0000RF01CU	T192	IDLER ARM SPRING	1	1	1
28	0200CO03RD	T125-2	STANDARD 46" AXLE MM6 - MM12 (NO HUBS)	1	1	1
28	0200CO04RD	T125-3	STANDARD 46" AXLE ASSY W/ WHEEL HUBS	1	1	1
29	0200KI01RD	T129	OLD STYLE HIGH SPEED WEELS AXLE HUBS ASSEY WITH DUST CAP (4 BOLTS)	2	2	2
29	0200KI03RD	T129-1	NEW STYLE HIGH SPEED WEELS AXLE HUBS ASSEY WITH DUST CAP (4 BOLTS)	2	2	2
30	0000CO02RD	T137-12	WHEEL AND TIRE ASSEY 4.8X12" MM6	2		
30	0000CO01RD	T137	WHEEL AND TIRE ASSEY 165-80-R13" MM8 - MM12		2	2
31	0000RF06RD	T136	HIGH SPEED WHEELS HUB, DUST CAP (OLD STYLE)	2	2	2
31	0000RF10RD	T136-1	HIGH SPEED WHEELS HUB, DUST CAP (NEW STYLE)	2	2	2

HOOD ASSEMBLY

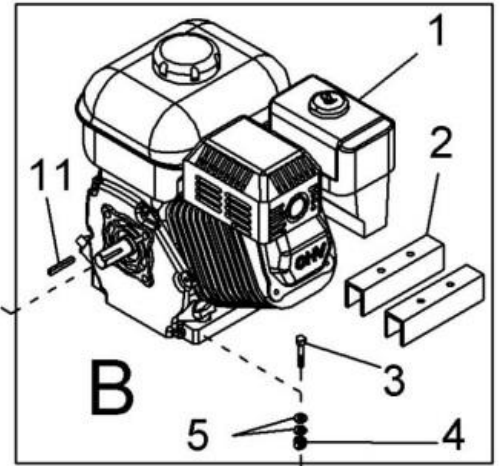


HOOD ASSEMBLY BREAK DOWN						
#	MANUF. #	PART #	DESCRIPTION	MM6	MM8	MM10
1	0000RF01GA	T158	SHROUD RUBBER SCREW	2	2	2
2	0200CO01GA	T157	SQUARE SHROUD ASSEY COMPLETE MM6 - MM10	1	1	1
3	0200KI01GA	T193	SHROUD ASSEMBLY PUSH STOP WITH ENGINE HARNESS	1	1	1
3	0000RF04GA	T195	ENGINE KILL SWITCH (NO HARNESS) – BLACK	1	1	1
3	816769AS NO	T195-1	ENGINE KILL SWITCH (NO HARNESS) - 816769AS RED	1	1	1
4	0000RF02GA	T160	SHROUD SPRING LOADED HOOK ASSEMBLY	2	2	2
5	RNPX038GAL	T112	PLAIN WASHER, 3/8"	8	8	8
6	TCCS038GAL	T114	LOCK NUT HEX, 3/8"	4	4	4
7	TOCD038112	T176	HEX HEAD SCREW 3/8" X 1-1/2"	4	4	4

TRANSMISSION



ENGINE



TRANSM. ASSEY BREAK DOWN						
#	MANUF. #	PART #	DESCRIPTION	MM6	MM8	MM10
1	0200CR01TR	T146	TRANSMISSION SHAFT 1" x 7-1/4"	1	1	1
2	0200TU01TR	T205	TRANSMISSION SHAFT BUSHING 1" X 1-5/8"	1	1	1
3	0200CC03TR	T202	TRANSMISSION PULLEY & SHAFT KEY 1/4" x 1-7/8"	2	2	2
3	0000CU01TR	T483	TRANSMISSION KEY 1/4 x 1-1/4"	2	2	2
4	0200CR04TR	T149	TRANSMISSION PINION (12 TOOTH) 2-3/8" X 2-1/2"	1	1	1
5	0200FG02TR	T151	96 TOOTH BULL GEAR 14-1/4"	1	1	1
6	00CHPI2100	T150	TRANSMISSION PILLOW BLOCK w/1" BEARING	2	2	2
7	TOCD038200	T145	HEX HEAD SCREW 3/8" x 2"	2	2	2
8	RNPX038GAL	T112	PLAIN WASHER, 3/8"	4	4	4
9	TCCS038GAL	T114	LOCK NUT HEX, 3/8"	2	2	2
10	0200CC01TR	T120	96 TOOTH BULL GEAR KEY 3/8" X 2"	1	1	1
11	0200CU02TR	T147	ENGINE KEY FOR 8HP & 13HP HONDA 1/4"	1	1	1
11	0200CU03TR	T147-1	ENGINE KEY FOR 5HP HONDA 3/16"	1	1	
12	0200CR03TR	T1002	ELECTRIC MIXER - TRANSMISSION PINION SHAFT 7-1/4" X 1" WITH 1-1/2" 8TH PINION	1	1	1
13	POFG3341002R	T154	2 GROOVES 8 -13 HP GAS ENGINE PULLEY 3-3/4" X 1"	1	1	1
13	POFG3340342R	T154-1	2 GROOVES 5 HP GAS ENGINE PULLEY 3-3/4" X 3/4"	1	1	
13	POFG2120582R	T154-3	2 GROOVES ELECTRIC MOTOR PULLEY 2.5" x 5/8"	1		
13	POFG2120782R	T1000	2 GROOVES ELECTRIC MOTOR PULLEY 2-1/2" X 7/8"	1	1	1
13	POFG2121182R	T1001	2 GROOVES ELECTRIC MOTOR PULLEY 2-1/2" x 1-1/8"			
14	OPCQ038100	T203	8HP - 13HP ENGINE PULLEY SET SCREW 3/8" X 1"	2	2	2
14	OPCQ038114	T203-1	5 HP ENGINE SET SCREW 3/8" x 1-1/4"	2	2	
15	TCCN038GAL	T410	HEX NUT 3/8 NC	2	2	2
16	POFG8001002R	T153	2 GROOVES TRANSMISSION PULLEY 8"	1	1	1
17	0200PL01FC	T152	MAIN SHAFT PLAIN WASHER 3/16"	1	1	1
18	0000BNAX37	T155	GAS ENGINE TRANSMISSION BELT, AX37	2	2	2
19	TOCD038100	T116	HEX HEAD SCREW 3/8 x 1 NF	1	1	1

ENGINE ASSEMBLY BREAK DOWN						
#	MANUF. #	PART #	DESCRIPTION	MM6	MM8	MM10
1	202004M	T171	HONDA ENGINE GX160 WITH 6:1 REDUCER	1	1	
1	202009M	T304	HONDA ENGINE GX240 WITH 6:1 REDUCER	1	1	1
2	0201PL01MO	T165	GX160 GAS ENGINE ONLY - HEIGHT RAISING BRACKET	2		
2	0201PL01MO-1	T165-1	ELECTRIC MIXER ONLY – 2" HEIGHT RAISING BRACKET	2	2	2
3	TOCD056300	T201	HEX HEAD SCREW 5/16" x 3"	4		
3	TOCD038200	C158	HEX HEAD SCREW, 3/8" x 2"		4	4
4	TCCS056GAL	T148	HEX LOCK NUT 5/16"	4		
4	TCCS038GAL	C142	HEX LOCK NUT, 3/8		4	4
5	RNPX056ESP	T198	5 HP ENGINE PLAIN WASHERS 5/16" X 3/4"	8		
5	RNPX038GAL	C139	PLAIN WASHERS, 3/8"		8	8

Octavio Chavez

North America Sales Manager

manager@tkequip.com

www.tkequip.com



Phone Line: (956) 796-9411

Fax: (956) 462-2500

Jaime Ortiz

Parts & Customer Service

parts@btmequipment.com

service@btmequipment.com