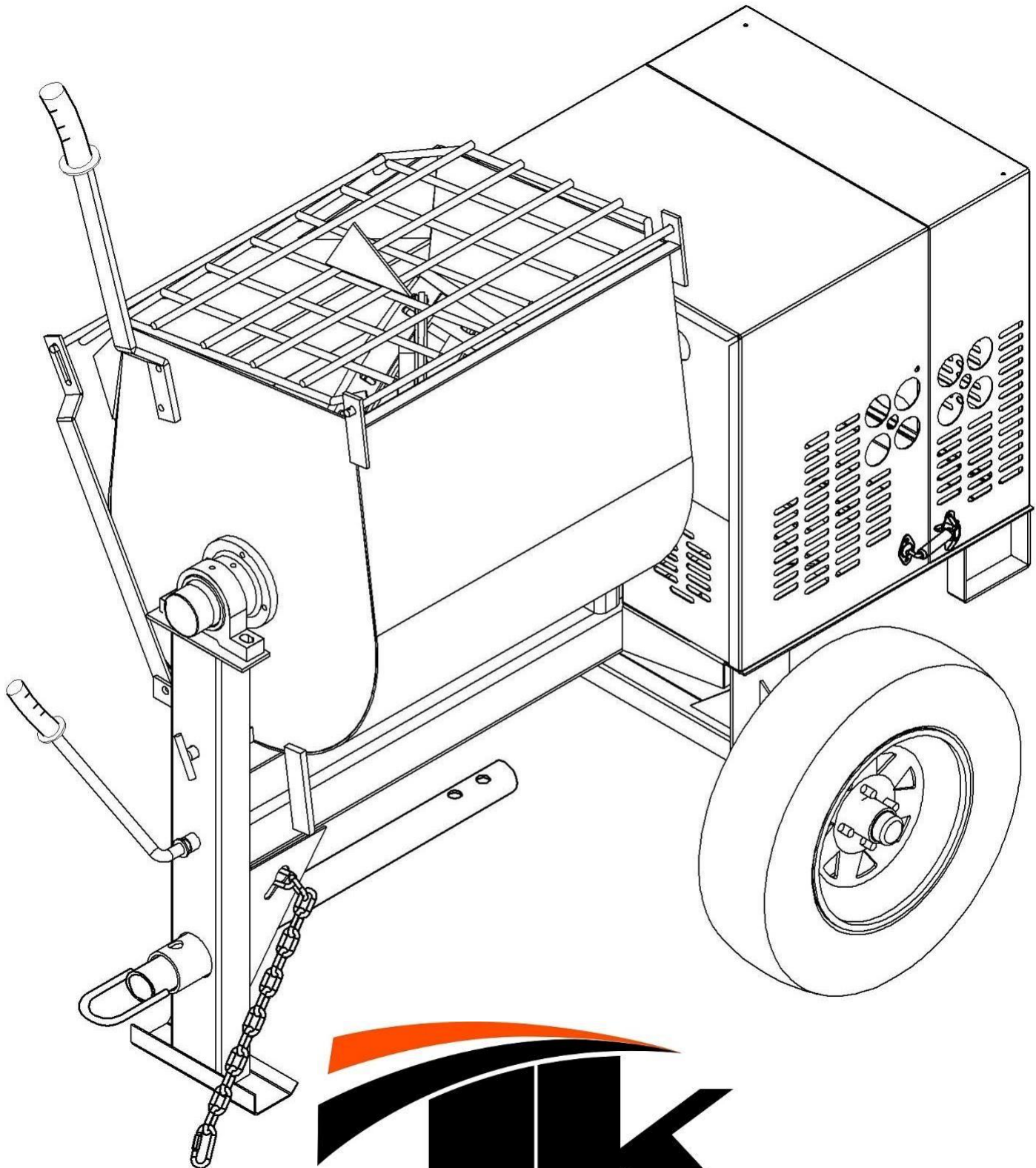
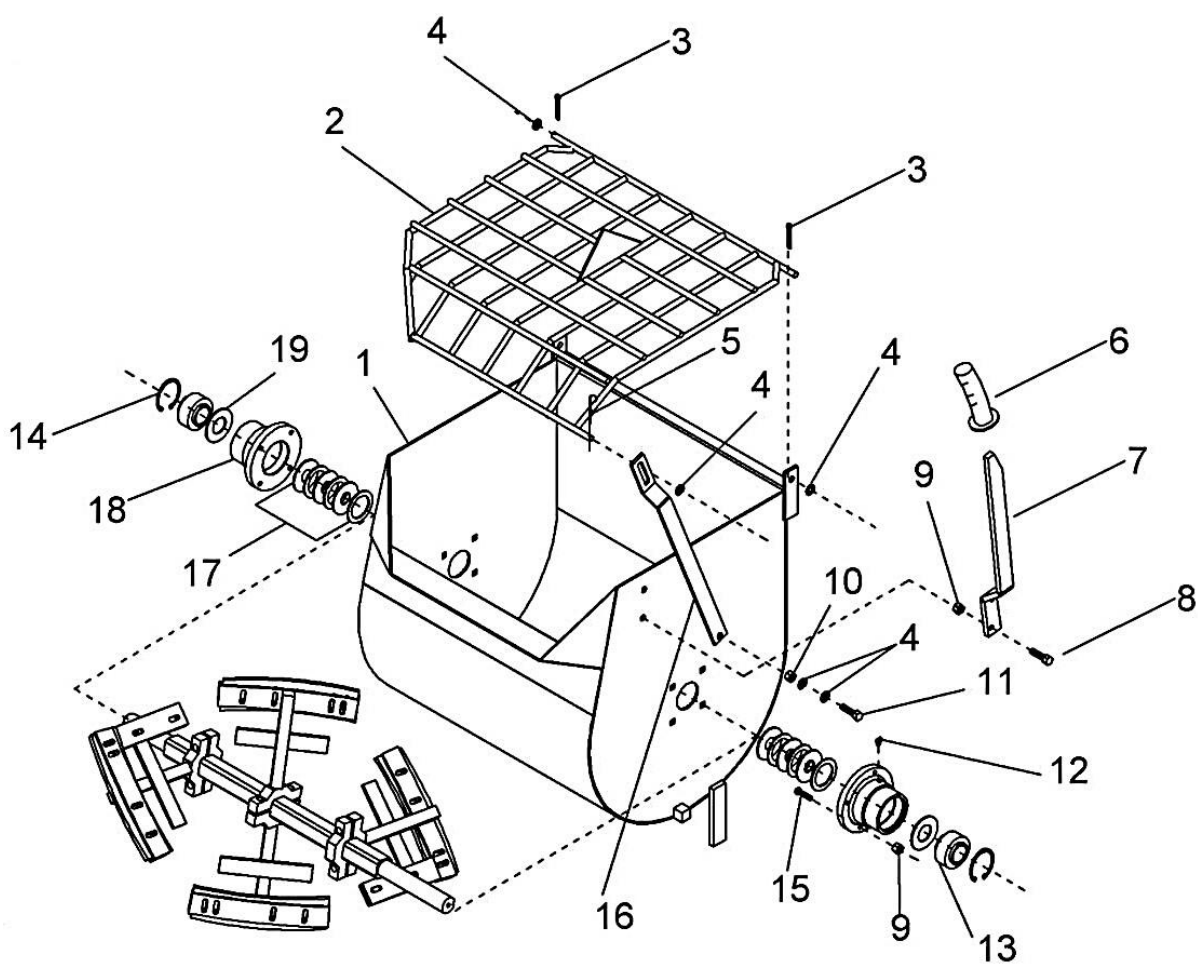
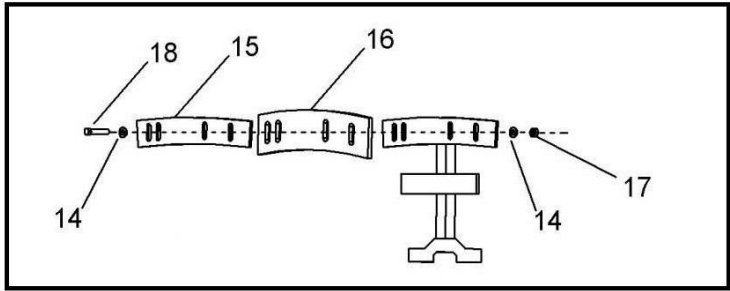
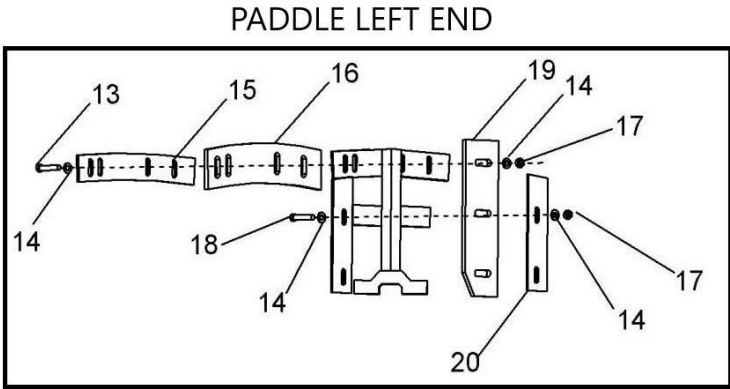
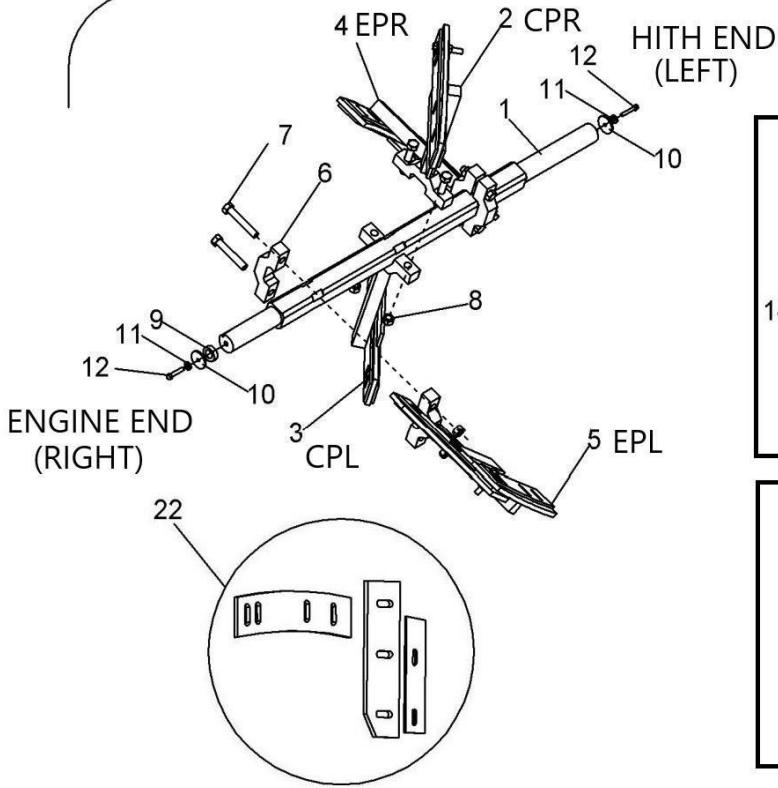


MM6 – MM8 – MM10 PARTS BREAKDOWN (LIST PRICE)



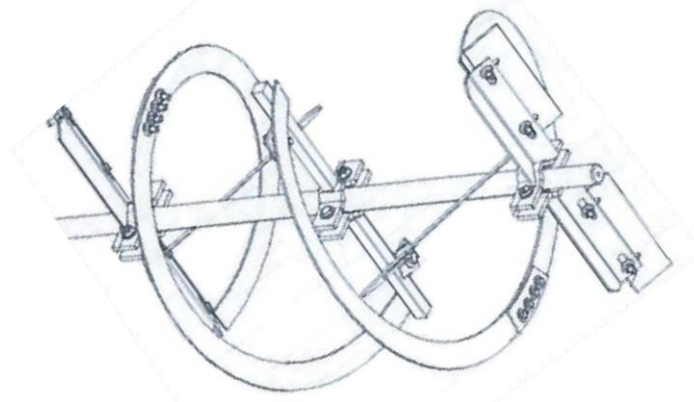


DRUM ASSEMBLY							
#	SKU #	ID #	DESCRIPTION	MM6	MM8	MM10	LISTPRICE
1	0201CO01TQ	T164-1	DRUM MM6 (27-3/4") - T164-1	1			\$750.00
1	0201KI01TQ	T211	DRUM ASSY COMPLETE MM6 (27-3/4") - T211	1			\$1,200.00
1	0202CO01TQ	T302	DRUM MM8 (27-3/4") - T302		1		\$850.00
1	0202KI01TQ	T212	MM8 DRUM ASSEMBLY COMPLETE (27-3/4") - T212		1		\$1,300.00
1	0203CO01TQ	T402	DRUM MM10 (32-1/2")			1	\$950.00
1	0203KI01TQ	T213	DRUM ASSEMBLY COMPLETE MM10 (32-1/2")			1	\$1,400.00
2	0201CO01RJ	T167	DRUM GRID W/ BAG CUTTER MM6 - T167	1			\$180.00
2	0202CO01RJ	T303	DRUM GRID W/ BAG CUTTER MM8 - T303		1		\$185.00
2	0203CO01RJ	T403	DRUM GRID W/ BAG CUTTER MM10 - T403			1	\$190.00
3	CHA 316 2	T111	PIN COTTER, 3/16" X 2" SC3116200GAL - T111	2	2	2	\$1.08
4	RNPX012GAL	T105	PLAIN WASHER 1/2" - T105 - C172 - 174470	5	5	5	\$1.08
5	0111SR01LZ	T110	3/6" COTTER PIN CP-85H - SR00036EXT - T110 - 134955	1	1	1	\$1.08
6	0000RF01RJ-1	T166-1	CONTROL HANDLE GRIP T166-1 (FLAT)	1	1	1	\$12.00
7	0200CO01TQ	T168	DRUM DUMPING HANDLE W/ GRIP - T168	1	1	1	\$20.00
8	TOCD038112	T176	HEX BOLT 3/8" X 1-1/2" - T176 - C141 - 226230	2	2	2	\$1.25
9	TCCS038GAL	T114	HEX LOCK NUT 3/8" - 227830 - T114 - C142	10	10	10	\$1.25
10	TCCS012GAL	T106	HEX LOCK NUT 1/2" - T106 - 227854 - C304	1	1	1	\$1.25
11	TOCD012134	T189	HEX BOLT HD 1/2" X 1 3/4" - T189 - 226660	1	1	1	\$3.00
12	0000GRH045	T102	BEARING FITTING GREASE 45 DEG - T102 - 110689	2	2	2	\$2.50
13	0000BA20824	T175	BALL BEARING, 1746208-108 - 110450 - T175 (W/O GRS FITTING)	2	2	2	\$30.00
14	SM00300INT	T177	DRUM TRUNNION RETAINING RING 3" - T177	2	2	2	\$6.47
15	TOCL038112	T174	CARRIAGE BOLT 3/8" X 1-1/2" GR2 ZP - 117771 - 117771 - T174	8	8	8	\$1.25
16	0200SO01RJ	T115	DRUM DUMPING LOCK BAR 1/4 X 1-1/2 X 26-1/8 - T115	1	1	1	\$15.00
17	0200KI01TN	T172	DRUM HUB SEALS KIT (ONE END) - T172	2	2	2	\$25.00
18	0200CO01TN	T173-2	4 HOLES TRUNNION FOR 3/8" SCREWS - T173-2	2	2	2	\$65.00
19	0200LA01TN	T169	DRUM HUB STEEL SPACER - T169	2	2	2	\$3.00

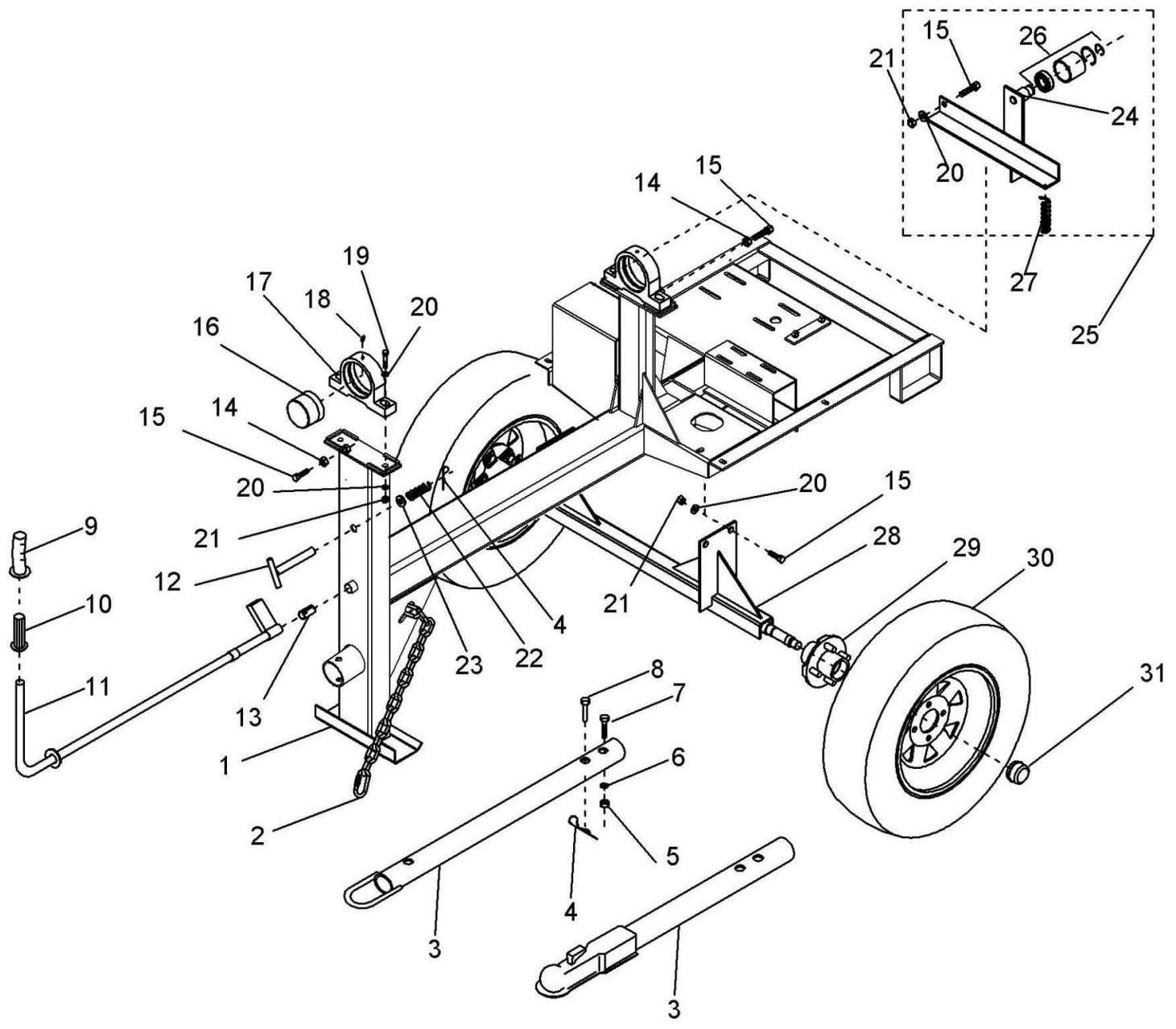


PADDLE ASSEMBLY							
#	SKU #	PART #	DESCRIPTION	MM6	MM8	MM10	PRICELIST
1	0202CR01CH	T305	SQUARE MAIN SHAFT 1-3/4" X 38-7/8" - MM6/MM8 - T305	1	1		\$160.00
1	0203CR01CH	T404	SQUARE MAIN SHAFT 1-3/4" X 43-5/8" - MM10/MM12 - T404			1	\$180.00
2	0201CO01AS-1	T179-2	CENTER PADDLE RIGHT ARM MM6 (1" GRIP) - T179-2	1			\$70.00
2	0200CO01AS-1	T306-2	CENTER PADDLE RIGHT ARM MM8/MM10/HM12/HM16 (1" GRIP) - T306-2		1	1	\$70.00
3	0202CO01AS-1	T182-2	CENTER PADDLE LEFT ARM MM6 (1" GRIP) - T182-2	1			\$70.00
3	0200CO02AS-1	T308-2	CENTER PADDLE LEFT ARM MM8/MM10/HM12/HM16 (1" GRIP) - T308-2		1	1	\$70.00
4	0201CO03AS-1	T191-2	HITCH END , END PADDLE RIGHT ARM MM6 (1" GRIP) - T191-2	1			\$90.00
4	0200CO03AS-1	T314-2	HITCH END , END PADDLE RIGHT ARM MM8/MM10/HM12/HM16 (1" GRIP) - T314-2		1	1	\$90.00
5	0201CO02AS-1	T183-2	ENGINE END , END PADDLE LEFT ARM MM6 (1" GRIP) - T183-2	1			\$90.00
5	0200SO03AS-1	T309-2	ENGINE END , END PADDLE LEFT ARM MM8/MM10/HM12/HM16 (1" GRIP) - T309-2		1	1	\$90.00
6	0200SO05AS-1	T188-2	PADDLE ARMS L/R BRACKETS MM6 TO MM12 (1" GRIP) - T188-2	2	2	2	\$18.00
7	TOCD012300	T481	HEX BOLT HD 1/2" X 3" - 226711 - T481	6	6	6	\$3.00
8	TCCS012GAL	T106	HEX LOCK NUT 1/2" - T106 - 227854 - C304	6	6	6	\$1.25
9	0200TU01FC	T413	MAIN SHAFT BUSHING - T413	1	1	1	\$15.00
10	0200PL01FC	T152	MM PADDLE SHAFT PLAIN WASHER 3/16" - T152 - T162	2	2	2	\$3.00
11	RNRX038GAL	T113	LOCK WASHER 3/8 T113 - C144 - 176230	2	2	2	\$1.25
12	TOFD038100	T116	HEX BOLT 3/8" X 1" NF - 226210 - T116	2	2	2	\$1.25
13	TOCD038200	T145	HEX BOLT HD, GR5 3/8" X 2" - 226250 - T145 - C158	2	2	2	\$1.25
14	RNPX038GAL	T112	PLAIN WASHER 3/8" - T112 - C139 - 174986 - 701032 - C140	36	40	40	\$1.25
15	0201RF01AS	T180	CENTER PADDLE RUBBER BLADE MM6-MM12 - T186 - T307 - T312	4	4	4	\$10.00
16	0200SO01AS	T181	CENTER PADDLE STEEL BLADE 3/8" MM6 - MM12	4	4	4	\$12.35
17	TCCS038GAL	T114	HEX LOCK NUT 3/8" - 227830 - T114 - C142	18	20	20	\$1.25
18	TOCD038112	T176	HEX BOLT 3/8" X 1-1/2" - T176 - C141 - 226230	16	18	18	\$1.25
19	0201RF02AS	T184	END PADDLE SIDE RUBBER BLADE FOR MM6 - T184	2			\$12.00
19	0200RF02AS	T310	END PADDLE SIDE RUBBER BLADE MM8/MM10/HM12/HM16 - T310		2	2	\$12.00
20	0201SO01AS	T185	END PADDLE SIDE STEEL BLADE 3/16 X 2 X 6-3/8 FOR MM6 - T185	2			\$12.00
20	0200SO02AS	T311	END PADDLE SIDE STEEL BLADE MM80/MM12 - T311		2	2	\$12.00

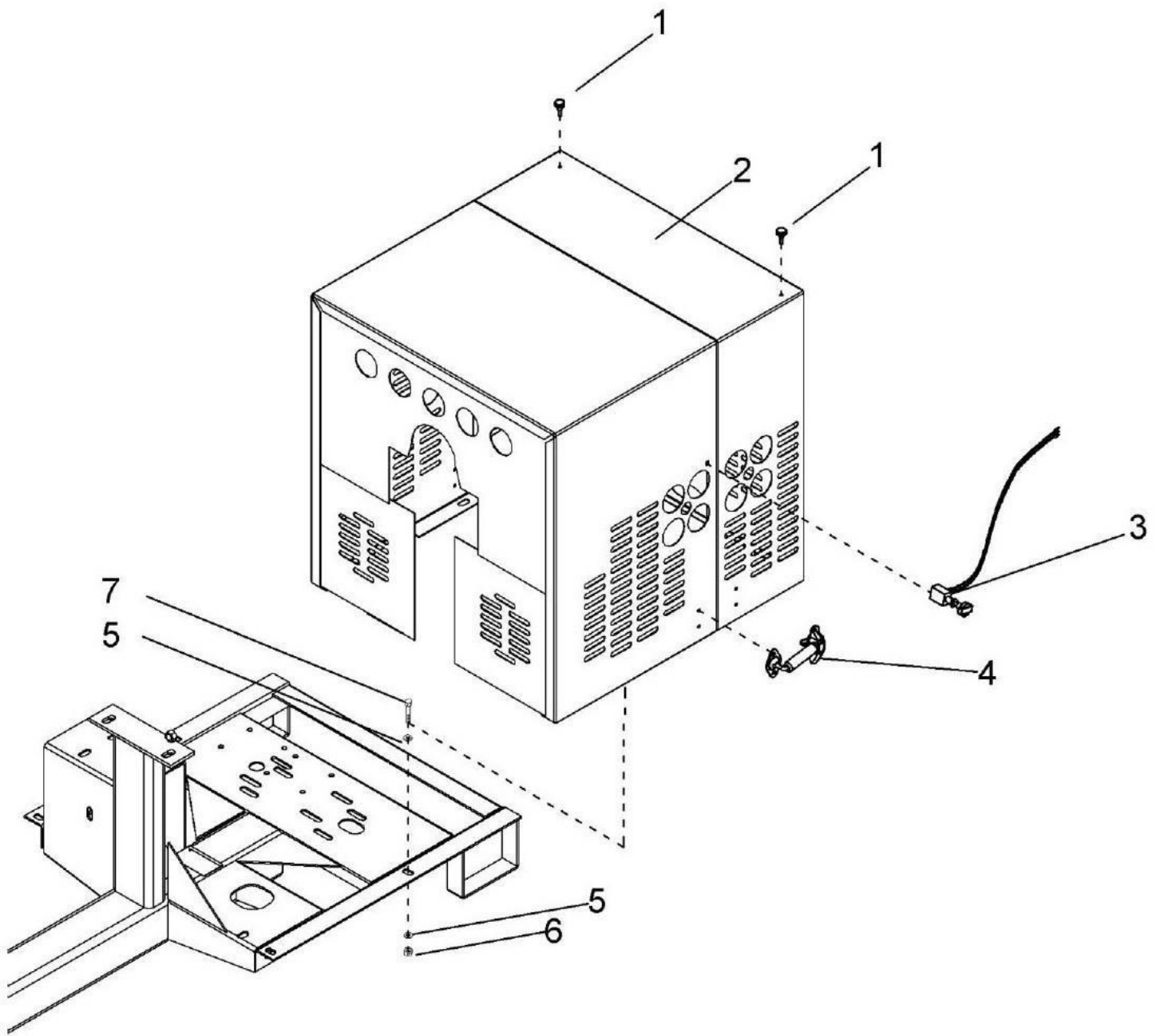
COMPLETE PADDLE/RUBBER KITS							
21	0201KI01AS-1	T179-3	COMPLETE PADDLE & WIPERS SET FOR SET MM6 (1" GRIP) - T179-3	1			\$450.00
21	0200KI01AS-1	T306-3	COMPLETE PADDLE & WIPERS SET MM8/MM10 (1" GRIP) - T306-3		1	1	\$480.00
22	0201KI03AS	T301-1	COMPLETE RUBBER BLADE KIT MM6 - T301-1	1			\$75.00
22	0200KI03AS	T301	COMPLETE RUBBER BLADE KIT MM8 - MM12 - T301		1	1	\$75.00



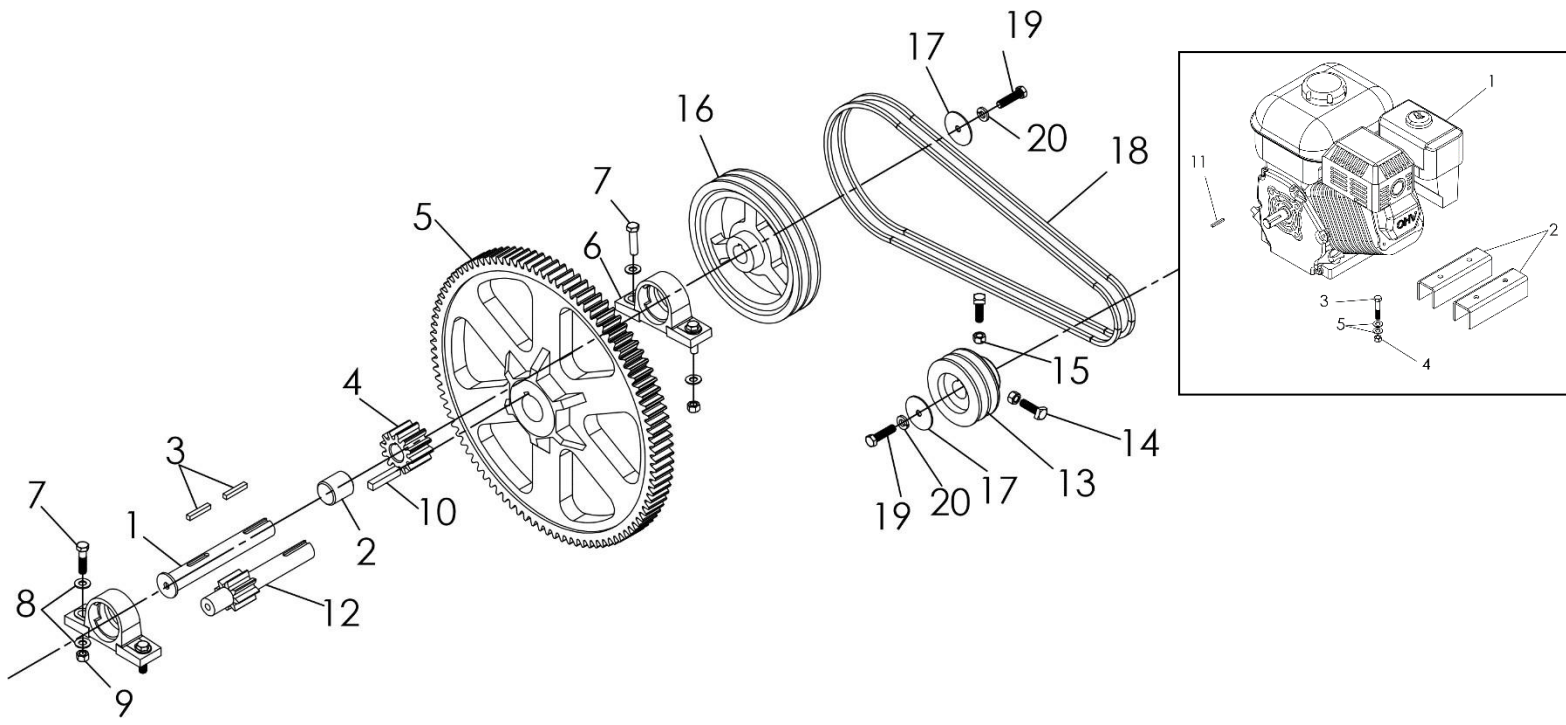
SPIRAL KIT ASSEMBLY							
#	SKU #	PART #	DESCRIPTION	MM6	MM8	MM10	PRICELIST
*	0201KI01ES	T206	MM6S SPIRAL BLADE KIT - T206	1			\$350.00
*	0202KI01ES	T206-1	MM8S SPIRAL BLADE KIT - T206-1		1		\$400.00
*	0203KI01ES	T206-2	MM10S SPIRAL BLADE KIT - T206-2			1	\$450.00



FRAME ASSEMBLY							
#	SKU #	PART #	DESCRIPTION	MM6	MM8	MM10	PRICELIST
1	0201CO01CH	T200	FRAME MM6 (FROM S# 1 TO 4000) - T200	1			\$1,650.00
1	0201CO01CH-1	T200-1	FRAME MM6 (FROM S# 4001 & UP) - T200-1	1			\$1,650.00
1	0202CO01CH	T300	FRAME MM8 - T300		1		\$1,650.00
1	0203CO01CH	T400	FRAME MM10 - T400			1	\$1,800.00
2	CAD3516GAL	T501	5/16 SAFETY CHAIN W/ OVAL SNAPS T501 - 609686 - 701012 - CA03316GAL	1	1	1	\$50.00
3	0000CO03LZ	T118-V	PINTLE HITCH VERTICAL HOLE - 702069 - T118-V - C193 - C198	1	1	1	\$80.00
3	0000CO04LZ	T119-V	2" BALL HITCH VERTICAL HOLE - 702070 - T119-V - C199	1	1	1	\$80.00
4	0111SR01LZ	T110	3/6" COTTER PIN CP-85H - SR00036EXT - T110 - 134955	1	1	1	\$1.08
5*	TCFN034GAL	T124	TOWING HITCH, HEX NUT, 3/4 NF - 701028 - T124 - C179 (2018)	1	1	1	\$5.00
5	TCFN058GAL	T124-1	TOWING HITCH, HEX NUT, 5/8 NF - T124-1 - 701033	1	1	1	\$5.00
6*	RNRX034GAL	T123	TOWING HITCH, SPRING WASHER 3/4" - 174510 - T123	1	1	1	\$3.00
6	RNRX058GAL	T123-1	TOWING HITCH, SPRING WASHER 5/8" - T123-1 - 701032	1	1	1	\$3.00
7*	TOFD034312	T122	TOWING HITCH, HEX HEAD SCREW 3/4" X 3-1/2" - T122 - C148 - 701001	1	1	1	\$3.00
7	TOFD058312	C540	TOWING HITCH, HEX HEAD SCREW 5/8" X 3-1/2" - T122-1 - 701035 - C540	1	1	1	\$3.00
8*	0000CR01LZ	T121	TOWING HITCH, LOCK PIN 3/4 - T121 - C169 - 496088 - 702078	1	1	1	\$10.00
8	TOFD058312-A	T121-1	TOWING HITCH, LOCK PIN 5/8 - T121-1 - 701031	1	1	1	\$10.00
9	0000RF01RJ	T166	CONTROL & DUMPING HANDLE GRIPS - 139350 - T166 (ROUND)	1	1	1	\$12.00
10	0000RF02TQ	T414	ENGAGEMENT HANDLE CHILD HAND GRIP - T414 - 701023	1	1	1	\$3.33
11	0200CO01CU	T117	ENGAGEMENT CONTROL HANDLE LEVER MM6/MM8 - T117	1	1		\$70.00
11	0203CO01CU	T415	ENGAGEMENT CONTROL HANDLE LEVER MM10 - T415			1	\$75.00
12	0200CO01CH	T107	TOWING/DUMPING SPRING LOADED LOCK PIN - T107	1	1	1	\$10.00
13	00PE038112	T505	CONTROL HANDLE LOCK PIN 3/8 X 1-1/2 - T505	1	1	1	\$1.08
14	TCCN012GAL	T190	HEX LOCK NUT 1/2" - T190 - C178 (WELDED TO FRAME)	2	2	2	\$1.25
15	TOCD012134	T189	HEX BOLT HD 1/2" X 1 3/4" - T189 - 226660	7	7	7	\$3.00
16	0000RF02CH	T126	MM DRUM BEARINGS DUST CAP - T126	1	1	1	\$25.00
17	00CHPI2300	T101	3" DRUM PILLOW BLOCK - T101	2	2	2	\$25.00
18	0000GRH045	T102	DRUM BEARING, GREASE FITTING 45 DEG - T102 - 110689	2	2	2	\$2.50
19	TOCD012212	T104	HEX BOLT HD 1/2" X 2-1/2" - T104 - C146 - 226690	4	4	4	\$1.25
20	RNPX012GAL	T105	PLAIN WASHER 1/2" - T105 - C172 - 174470	17	17	17	\$1.08
21	TCCS012GAL	T106	HEX LOCK NUT 1/2" - T106 - 227854 - C304	9	9	9	\$1.25
22	0000RF01CH	T109	TOWING/DUMPING, LOCK PIN SPRING - T109	1	1	1	\$8.00
23	RNPX034GAL	T108	PLAIN WASHER 3/4" X 1-1/2 - 174996 - T108 - 248277	1	1	1	\$1.25
24	0200CO02CU	T140	IDLER ARM BRACKET - T140 (NO IDLER BEARING)	1	1	1	\$22.00
25	0200CO03CU	T197	BEARING CLUTCH ASSEY WITH IDLER ARM BRACKET - T197	1	1	1	\$70.00
26	0200KI01CU	T197-1	BEARING IDLER CLUTCH ASSEY (NO IDLER ARM BRACKET) - T197-1	1	1	1	\$30.00
*26	0000BA6205	6205	BALL BEARING, 6205 - C154 - 701016 (JEL205-100W3) FOR IDLER CLUTCH	1	1	1	\$25.00
27	0000RF01CU	T192	IDLER ARM (CLUTCH) SPRING - T192	1	1	1	\$9.50
28	0200CO03RD	T125-2	STANDARD 46" AXLE MM6-MM12 (NO HUBS) - T125-2	1	1	1	\$250.00
28	0200CO04RD	T125-3	STANDARD 46" AXLE ASSY MM6-MM12 (INCLUDING HUBS) - T125-3	1	1	1	\$300.00
29	0200KI03RD	T129-1	WHEEL HUB W/ 1" BRG L44643 & DUST CAP - 702071 - T129 (NEW STYLE)	2	2	2	\$75.00
30	0000CO02RD	T137-12	WHEEL & TIRE ASSY 4.8 X 12" - T137-12 - C137 - 431063	2			\$95.00
30	0000CO01RD	T137	WHEEL & TIRE ASSY 165-80 R13" - T137 - 431081 - C136	OP	2	2	\$115.00
31	0000RF10RD	T136-1	DUST CAP FOR WHEEL HUBS 1.98" (NEW STYLE) - 702087 - T136-1 - 464804	2	2	2	\$8.00
*32	TCMN012GAL	T138	WHEEL LUG NUT 1/2" X 20 - T138 - C138	8	8	8	\$4.00
*33	112210	T231	WHEEL HUB 1" BEARING L44643	2	2	2	\$30.00

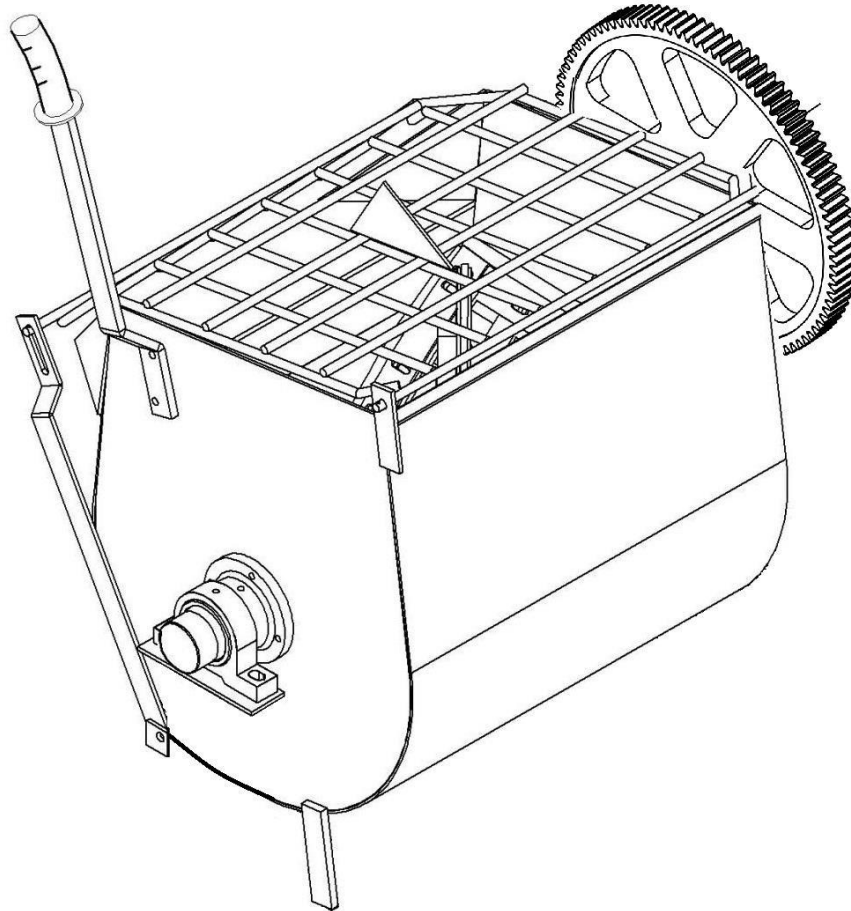


HOOD ASSEMBLY							
#	SKU #	PART #	DESCRIPTION	MM6	MM8	MM10	PRICELIST
1	0000RF01GA	T158	RUBBER SCREW 1/4" FOR SHROUD - T158 - C159 - 201544	2	2	2	\$3.15
2	0200CO01GA	T157	SQUARE SHROUD ASSEY W/KILL SWITCH MM6-MM10 - T157	1	1	1	\$350.00
3	1000KI04GA	T193	ENGINE KILL SWITCH ASSEY RED (WITH HARNESS) 701007 - T193	1	1	1	\$29.00
3	0200KI01GA	T195-1	ENGINE N.O KILL SWITCH RED (NO HARNESS) - 816769AS - 112500 - T195-1	1	1	1	\$18.00
4	0000RF02GA	T160	SHROUD HOOK ASSEMBLY - T160 - C161 - 701004 - 201543	2	2	2	\$12.00
5	RNPX038GAL	T112	PLAIN WASHER 3/8" - T112 - C139 - 174986 - 701032 - C140	8	8	8	\$1.25
6	TCCS038GAL	T114	HEX LOCK NUT 3/8" - 227830 - T114 - C142	4	4	4	\$1.25
7	TOCD038112	T176	HEX BOLT 3/8" X 1-1/2" - T176 - C141 - 226230	4	4	4	\$1.25



TRANSM. ASSEY							
#	SKU #	PART #	DESCRIPTION	MM6	MM8	MM10	PRICELIST
1	0200CR01TR	T146	MM6-MM10 TRANSM. SHAFT 1" X 7-1/4" - T146	1	1	1	\$17.00
2	0200TU01TR	T205	TRANSMISSION BUSHING 1" X 1-5/8" MM6- MM10 - T205	1	1	1	\$13.73
3	0200CC03TR	T202	KEY 1/4" X 1-7/8" - T202 - 432340	2	2	2	\$1.25
3	0170CC01MO	T483	KEY 1/4 X 1-1/4 - 701027 - C152 - T483 - 0000CU01TR	2	2	2	\$1.25
4	0200CR04TR	T149	12 TH TRANSMISSION PINION 2-3/8" X 2 1/2" - T149	1	1	1	\$30.00
5	0200FG02TR	T151	96 TH TRANSMISSION BULL GEAR 14" - T151	1	1	1	\$175.00
6	00CHPI2100	T150	TRANSMISSION PILLOW BLOCK 1" - T150	2	2	2	\$60.00
7	TOCD038200	T145	HEX BOLT HD, GR5 3/8" X 2" - 226250 - T145- C158	2	2	2	\$1.25
8	RNPX038GAL	T112	PLAIN WASHER 3/8" - T112 - C139 - 174986 - 701032 - C140	4	4	4	\$1.25
9	TCCS038GAL	T114	HEX LOCK NUT 3/8" - 227830 - T114 - C142	2	2	2	\$1.25
10	0200CC01TR	T120	BULL GEAR KEY 3/8" X 2" - T120	1	1	1	\$1.27
11	0200CU02TR	T147	ENGINE KEY 1/4 FOR 8HP & 13HP - T147	OP	1	1	\$1.27
11	0200CU03TR	T147-1	ENGINE KEY 3/16" FOR 5HP - C514 - T147-1	1			\$1.27
12	0200CR03TR	T1002	ELEC. TRANSM. PINION SHAFT 7-1/4" X 1" WITH 1-1/2" 8TH PINION - T1002	1	1	1	\$60.00
13	POFG3341002R	T154	PULLEY 3-3/4" CAL 1" X 2 GROOVES (2AK39X1) - 430990 - 702010 - T154	1	1	1	\$50.00
13	POFG3340342R	T154-1	PULLEY ENGINE, 2AK39 X 3/4" - 407790 - T154-1 - 702025	1			\$50.00
13	POFG2120582R	T154-3	PULLEY MOTOR, 2-1/2" X 5/8" 2 GROOVES (2AK2558) - T154-3	1			\$40.00
13	POFG2120782R	T1000	PULLEY MOTOR, 2-1/2" CAL 7/8" 2 GROOVES - T1000 - 239365	OP	1	1	\$40.00
13	POFG2121182R	T1001	PULLEY MOTOR, 2-1/2 CAL 1-1/8 X 2 GROOVES - T1001		OP	OP	\$40.00
14	OPCQ038100	T203	SET SCREW, 3/8 X 1" FOR 8HP - 13HP ENGINE PULLEY - T203	OP	2	2	\$2.55
14	OPCQ038114	T203-1	SET SCREW 3/8" X 1-1/4" FOR 5HP ENGINE - C156 - OPCQ038114 - T203-1	2			\$2.55
15	TCCN038GAL	T410	HEX NUT 3/8 NC - T410 - C142 - 227814	2	2	2	\$1.25
16	POFG8001002R	T153	PULLEY 8" CAL 1" 2 GROOVES - T153-2	1	1	1	\$60.00
17	0200PLO1FC	T152	MM PADDLE SHAFT PLAIN WASHER 3/16" - T152 - T162	1	1	1	\$3.00
18	0000BNAX37	T155	GAS ENGINE TRANSMISSION BELT, AX37 - T155	2	2	2	\$20.00
19	TOFD038100	T116	HEX BOLT 3/8" X 1" NF - 226210 - T116	1	1	1	\$1.25
20	RNRX038GAL	T113	LOCK WASHER 3/8" - T113 - C144 - 176230	1	1	1	\$1.25

ENGINE ASSEMBLY							
#	SKU #	PART #	DESCRIPTION	MM6	MM8	MM10	LISTPRICE
1	202004M	T171	ENGINE HONDA 5.5 HP GX160UQE6 WITH 6:1 REDUCER - T171	1	1		\$770.00
1	202009M	T304	ENGINE HONDA 8 HP O/A GX240 WITH 6:1 REDUCER - T304	1	1	1	\$1070.00
2	0201PL01MO	T165	RAISING HEIGHT BRACKET FOR 5.5HP ENGINE - T165	2			\$25.00
2	0201PL02MO	T484	RAISING HEIGHT 2" BRACKET FOR ELECTRIC MOTOR - T484	2	2	2	\$25.00
3	TOCD056300	T201	HEX BOLT HD 5/16" X 3" - 701009 - T201	4			\$1.08
3	TOCD038200	C158	HEX BOLT HD, GR5 3/8" X 2" - 226250 - T145- C158		4	4	\$1.25
4	TCCS056GAL	T148	HEX LOCK NUT 5/16" - T148 - 227821	4			\$1.25
4	TCCS038GAL	C142	HEX LOCK NUT 3/8" - 227830 - T114 - C142		4	4	\$1.25
5	RNPX056ESP	T198	PLAIN WASHER 5/16 I.D. X 3/4 O.D. - T198	8			\$1.08
5	RNPX038GAL	C139	PLAIN WASHER 3/8" - T112 - C139 - 174986 - 701032 - C140		8	8	\$1.08
11	ASK FOR #		ENGINE KEY FOR 5HP ENGINE	1			\$1.27
11	0200CU02TR	T147	ENGINE KEY 1/4 FOR 8 HP & 13HP - T147		1	1	\$1.27



EXCHANGABLE DRUMS							
#	SKU #	PART #	DESCRIPTION	655	855	EM90	LISTPRICE
0	N/A	T561-L	655 EXCHANGEABLE DRUMS COMPLETE 24" LONG FOR TK PILLOW BLOCKS - T561-L	X			\$1,200.00
0	N/A	T216-L	855 EXCHANGEABLE DRUM ASSEY 36-7/16" FOR TK PILLOW BLOCKS/HUBS - T216-L		X		\$1,300.00
0	N/A	T215	EM-90 EXCHANGEABLE DRUM 27-3/4" - T215			X	\$1,400.00

Octavio Chavez
North America Sales Manager

manager@tkequip.com
www.tkequip.com

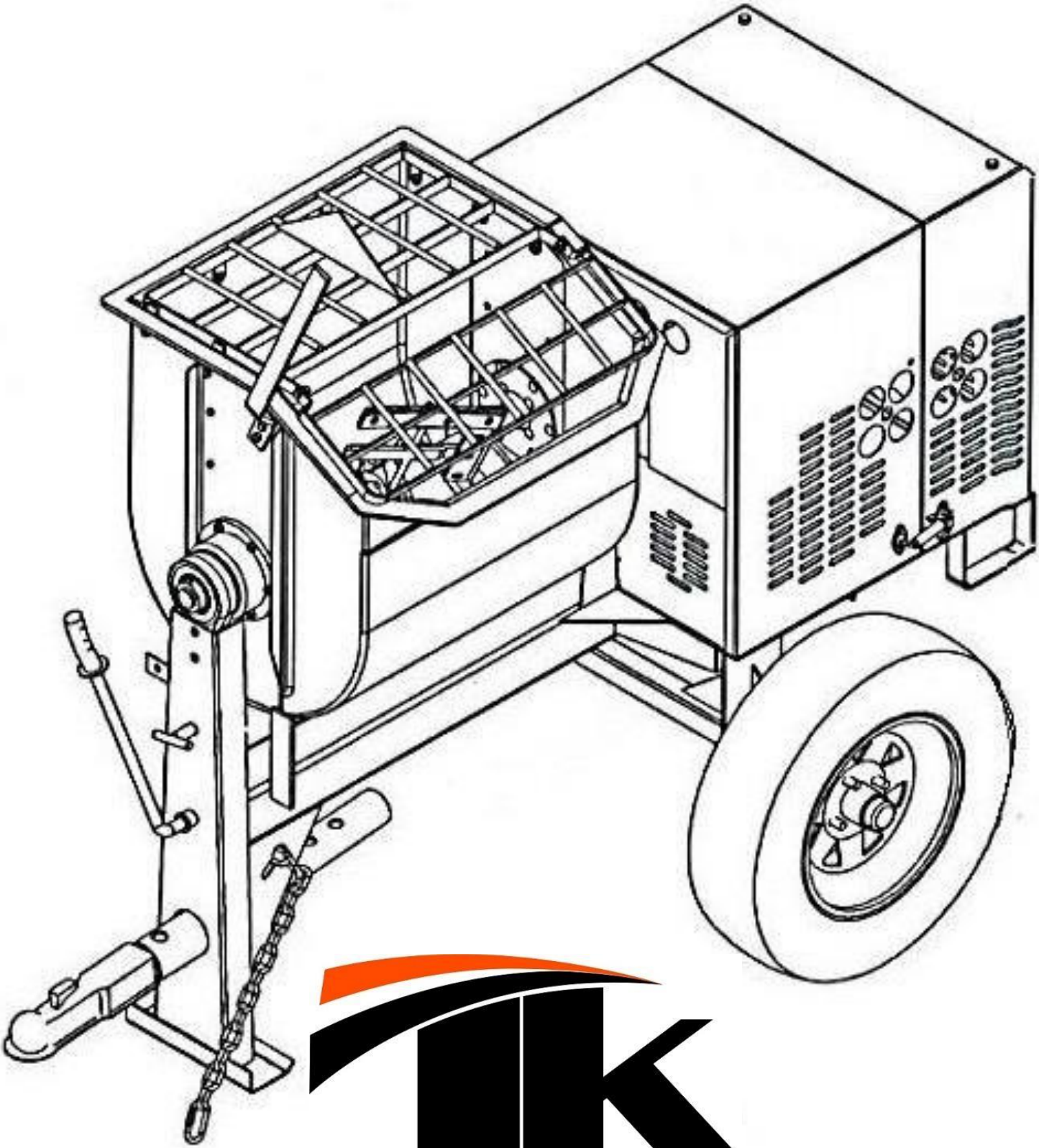


Jaime Ortiz
Office: (956) 796-9411

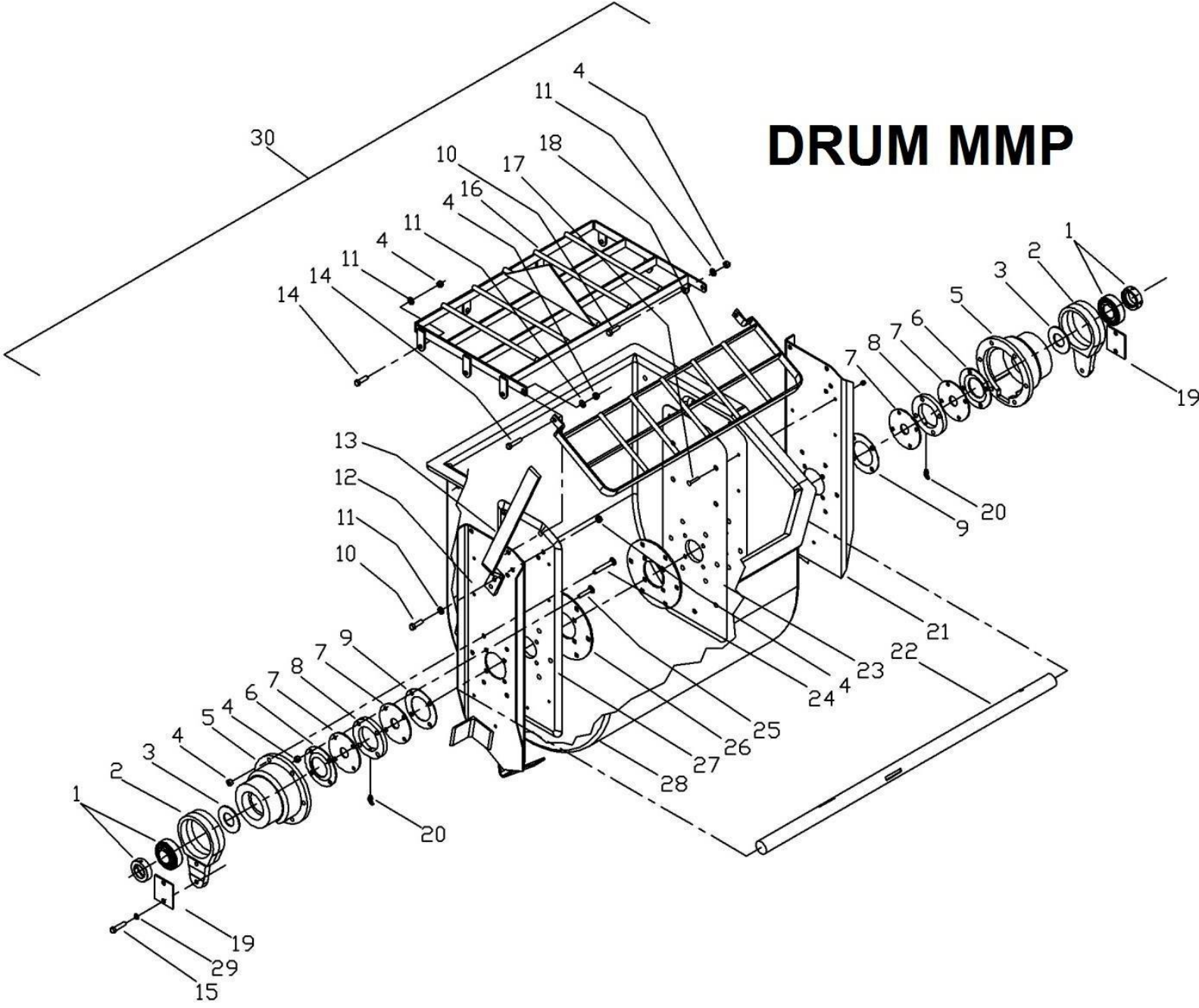
Fax: (956) 462 2500

Parts & Customer Service
parts@btmequipment.com
service@btmequipment.com

MM6P – MM8P PARTS BREAKDOWN (LIST PRICE)



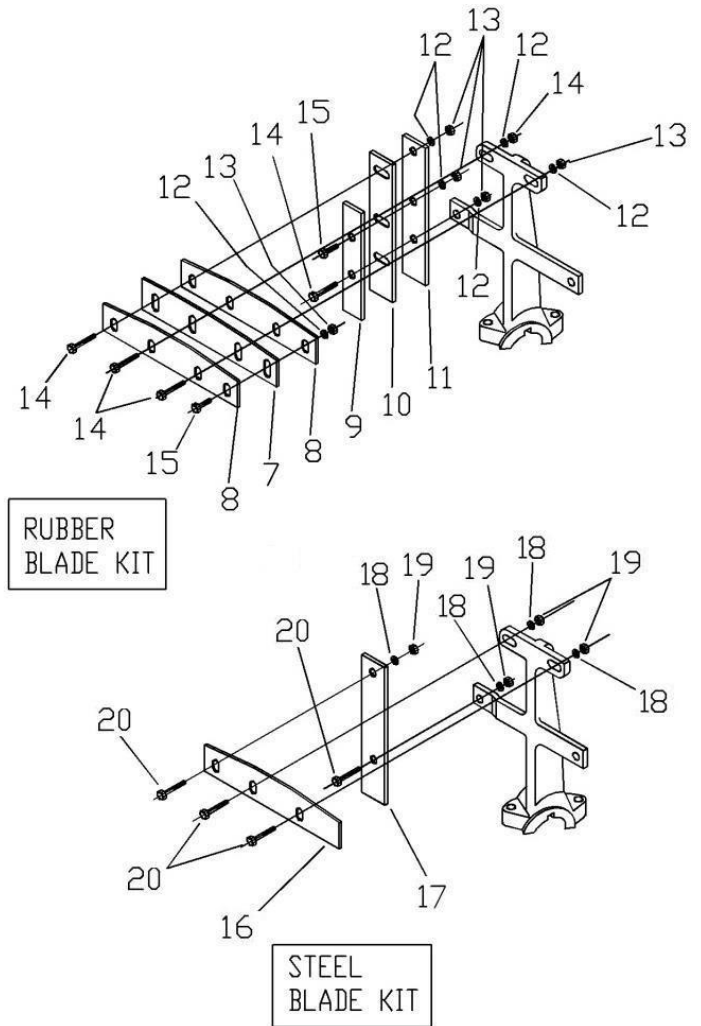
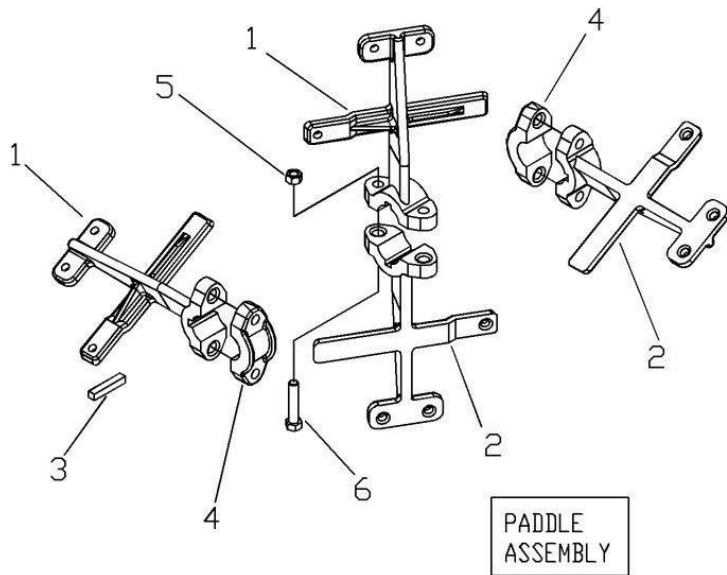
DRUM MMP



DRUM ASSEMBLY				MM6P	MM8P	LISTPRICE
#	SKU #	PART #	DESCRIPTION			
1	0000BA20824	T175	BALL BEARING, 1746208-108 - 110450 - T175 (W/O GRS FITTING)	2	2	\$30.00
2	0200CH01TQ	T485	DRUM PIVOT 4S-S10S / MM8P - T485 - 496070	2	2	\$55.00
3	0200HN01TQ	T486	SEAL FINGER (R2) 3.00 X 1.47 X .13 - T486 - 190854	2	2	\$5.00
4	TCCS038GAL	T114	HEX LOCK NUT 3/8" - 227830 - T114 - C142	30	32	\$1.25
5	0218FG02TQ	T487	DRUM TRUNNION, 4S-10S / MM8P (R3) - T487 - 496080	2	2	\$110.00
6	0218PL03TQ	T488	DRUM SEAL RING, 4S-10S (R4) MM8P - T488 - 496042	2	2	\$9.16
7	0200HN02TQ	T551	DRUM SEAL - 192923 - T551	4	4	\$12.00
8	0218FG01TQ	T489	DRUM SEAL PLATE 4S-10S / MM8P - T489 - 496177	2	2	\$29.76
9	0218AS01TQ	T490	GASKET 4-1/2" DIAM 0.06 THICK 8P/MM8P - T490 - 190751	2	2	\$3.00
10	TOCD038200	T145	HEX BOLT HD, GR5 3/8" X 2" - 226250 - T145 - C158	4	4	\$1.25
11	RNPX038GAL	T112	PLAIN WASHER 3/8" - T112 - C139 - 174986 - 701032 - C140	10	12	\$1.08
12	0218LA01TQ	T491	FRONT OUTSIDE CHANNEL MM6P/6P - 412086 - T491	1		\$250.00
12	0225LA01TQ	T492	FRONT OUTSIDE CHANNEL MM8P/8P - 412177 - T492		1	\$260.00
13	0200CO01TQ	T168	DRUM DUMPING HANDLE LEVER W/ GRIP 4S-12S/MM8P (R1) - T168 - 496224	1	1	\$19.00
14	TOCD038112	T176	HEX BOLT 3/8" X 1-1/2" - T176 - C141 - 226230	6	6	\$1.25
15	TOCD012112	T595	HEX BOLT HD GR5 1/2" X 1-1/2" - 226650 - C303	4	4	\$1.25

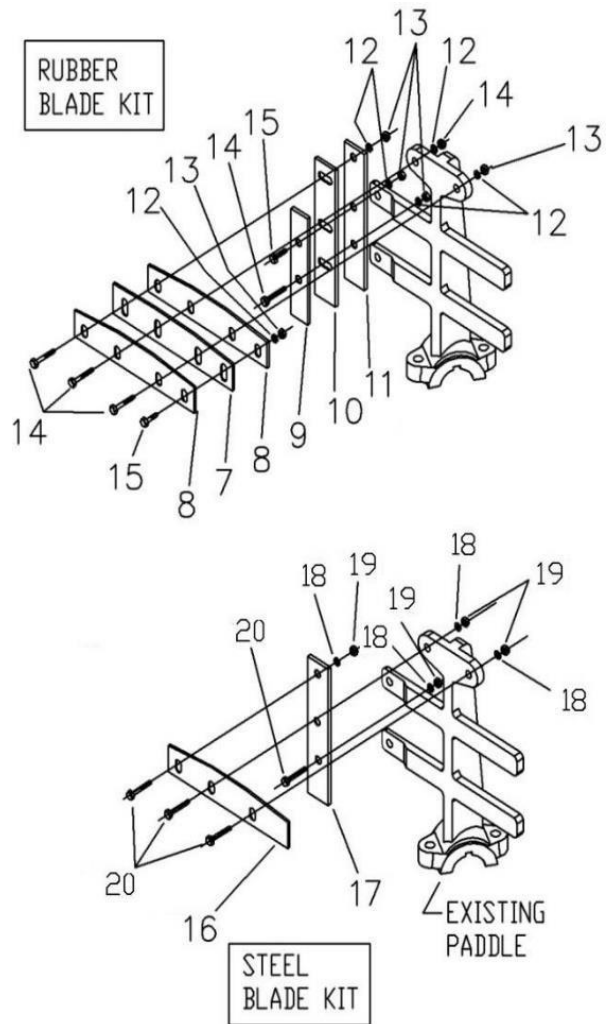
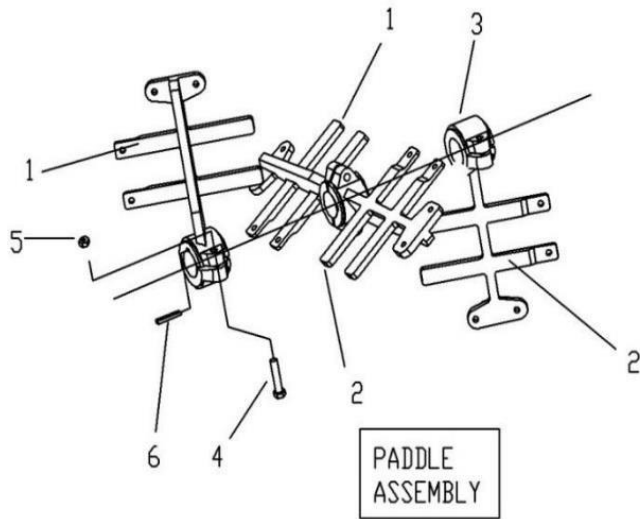
16	0218CO01RJ	T493	GRILL FIXED MM6P/6P - 412095 - T493	1		\$188.50
16	0225CO01RJ	T494	GRILL FIXED MM8P/8P - 412175 - T495		1	\$209.88
17	TOCT014112	T552	BOLT ALLEN HD, 1/4"X 1-1/2" - T552 - 139790	14	14	\$1.23
18	0218CO02RJ	T553	GRILL HINGED MM6P/6P - 412099 - T553	1		\$112.36
18	0225CO02RJ	T554	GRILL HINGED MM8P/8P - 412174 - T554		1	\$152.64
19	0218PL01TQ	T555	SHIM, 4S-10S 1/4" THK (R2) - 496000 - T555 (OPTIONAL)	2	2	\$10.08
20	0000GRH045	T102	DRUM BEARING, GREASE FITTING 45 DEG - T102 - 110689	2	2	\$2.50
21	0218LA02TQ	T556	REAR OUTSIDE DRUM CHANNEL MM6P/6P - 412087 - T556	1		\$250.00
21	0225LA02TQ	T557	REAR OUTSIDE CHANNEL MM8P/8P - 412161 - T577		1	\$260.00
22	0218CR01TQ	T558	PADDLE SHAFT MM6P - T558	1		\$159.00
22	0225CR02TQ	T559	PADDLE SHAFT MM8P - T559		1	\$195.00
23	0218LA03TQ	T560	REAR INSIDE DRUM CHANNEL FILLER 6P/MM6P - 257686 - T560	1		\$139.92
23	0225LA03TQ	T561	REAR INSIDE DRUM CHANNEL FILLER MM8P/8P - 496352 - T561		1	\$139.92
24	TOCL038112	T174	CARRIAGE BOLT 3/8" X 1-1/2" GR2 ZP - 117771 - 117771 - T174	12	12	\$1.08
25	TOCL038200	T562	BOLT, CARRIAGE 3/8 X 2 - 701011 - T562	8	8	\$1.08
26	0218PL02TQ	T563	INNER SEAL PLATE 6P/8P - 412184 - T563	2	2	\$15.90
27	0218LA04TQ	T564	FRONT DRUM FILLER PLATE DRILLED 6P/MM6P - 257685 - T564	1		\$139.92
27	0225LA04TQ	T565	FRONT DRUM FILLER PLATE DRILLED 8P/MM8P - 257685 - T565		1	\$139.92
28	0218PC01TQ	T566	DRUM MM6P / 6PR RAW - T566 - 201447	1		\$350.00
28	0225PC02TQ	T567	DRUM MM8P - T567 - 201448		1	\$450.00
29	RNRX012GAL	T112	SPING WASHER 1/2" - C145 - 176250 - T568 - T112	4	4	\$1.08
30	0218KI01TQ	T569	DRUM ASSY COMPLETE MM6P - T569	1		\$1,600.00
30	0225KI01TQ	T570	DRUM ASSY COMPLETE MM8P - T570		1	\$1,700.00

PADDLE ASSEMBLY MM6P



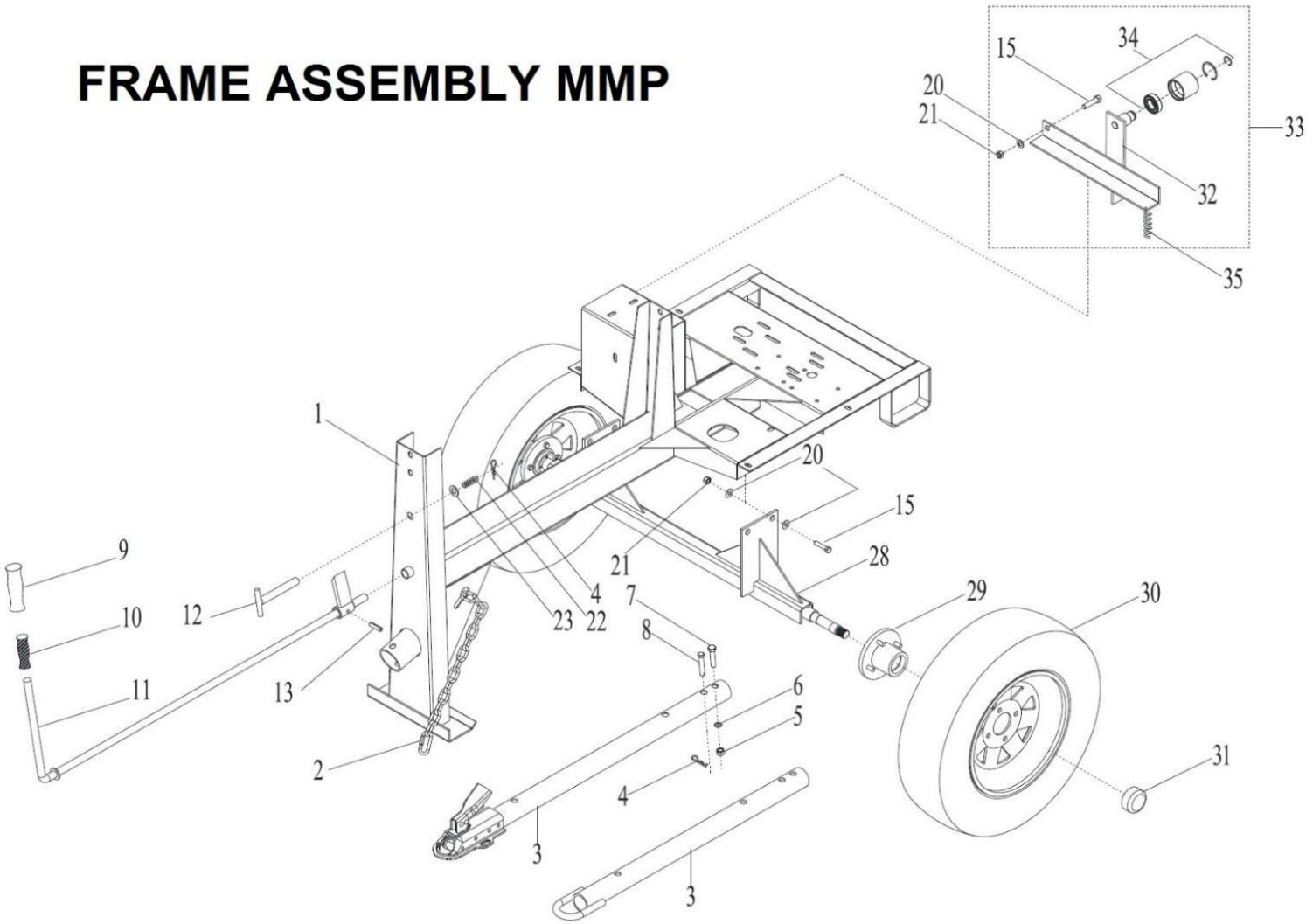
PADDLE ASSEY MM6P						
#	SKU #	PART #	DESCRIPTION	MM6P	MM8P	LISTPRICE
1	0218FG01AS	T571	END PADDLE & CENTRAL PADDLE LEFT 4S/6P/MM6P - T571 - 096019	2	N/A	\$63.33
2	0218FG03AS	T574	END PADDLE & CENTRAL PADDLE RIGHT MM6P - T574 - 096018	2	N/A	\$63.33
3	0220CC2BX	T708	KEY, 3/8" X 1-5/8" - T708	4	N/A	\$1.25
*3	1000CC01ED	T572	KEY 3/8" X 1-3/4" - 701013 - T572 (OLD DIMENSTIONS)	4	N/A	\$1.25
4	0218FG02AS	T573	CAP PADDLE 4S-10S/MMP (R3) T573 - 096010	2	N/A	\$19.08
5	TCCS012GAL	T106	HEX LOCK NUT 1/2" - T106 - 227854 - C304	6	N/A	\$1.25
6	TOCD012300	T481	HEX BOLT HD 1/2" X 3" - 226711 - T481	6	N/A	\$3.00
RUBBER BLADE KIT MM6P						
7	0200HN01AS	T577	WIPER 4S/10S, MMP-35 (R5) - T577 - 190970	4	N/A	\$8.48
8	0218LA01AS	T579	BLADE,4S-10S/MMP, TOP (R2) - T579 - 436290 - 496290	8	N/A	\$11.90
9	0218LA02AS	T580	BLADE, 4S-6SR/MMP, SIDE (R2) - T580 - 436320	2	N/A	\$9.16
10	0218HN01AS	T578	WIPER 4S-6SR, MMP (R4) - T578 - 192680	2	N/A	\$6.36
11	0218LA03AS	T581	BLADE, 4S-6SR/MMP, SIDE (R1) - T581 - 436310	2	N/A <td \$9.16	
12	RNPX038GAL	T112	PLAIN WASHER 3/8" - T112 - C139 - 174986 - 701032 - C140	44	N/A	\$1.08
13	TCCS038GAL	T114	HEX LOCK NUT 3/8" - 227830 - T114 - C142	18	N/A	\$1.25
14	TOCD038200	T145	HEX BOLT HD, GR5 3/8" X 2" - 226250 - T145 - C158	4	N/A	\$1.25
15	TOCD038112	T176	HEX BOLT 3/8" X 1-1/2" - T176 - C141 - 226230	16	N/A	\$1.25
21	N/A	609802	RUBBER BLADE KIT 4S & 6S/P	1	N/A	\$100.00
STEEL BLADE KIT MM6P						
16	0218PL01AS	T575	BLADE, 4S-6S/MM6P TOP (R3) - T575 - 436280	4	N/A	\$15.57
17	0218PL02AS	T576	BLADE 4S-6SR/MM6P SIDE (R1) - T576 - 436300	2	N/A	\$9.16
18	RNPX038GAL	T112	PLAIN WASHER 3/8" - T112 - C139 - 174986 - 701032 - C140	24	N/A	\$1.08
19	TCCS038GAL	T114	HEX LOCK NUT 3/8" - 227830 - T114 - C142	12	N/A	\$1.25
20	TOCD038112	T176	HEX BOLT 3/8" X 1-1/2" - T176 - C141 - 226230	12	N/A	\$1.25
22	N/A	610550	PADDLE KIT, 4-6S/MM6P	1	N/A	\$330.00

PADDLE ASSEMBLY MM8P

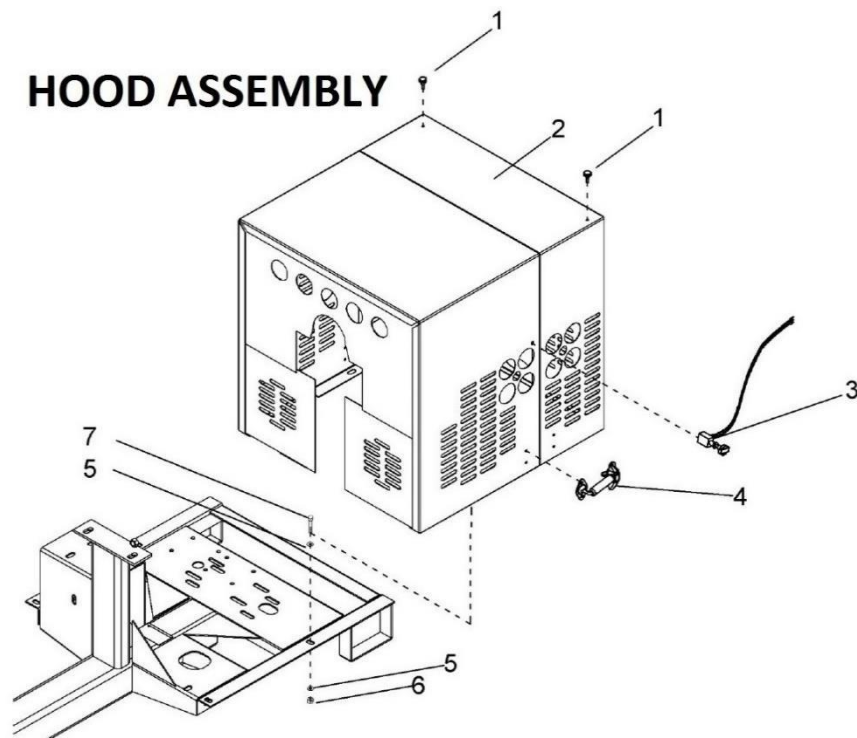


PADDLE ASSEY MM8P						
#	SKU #	PART #	DESCRIPTION	MM6P	MM8P	LISTPRICE
1	0225FG01AS	T582	END & CENTRAL PADDLE 8S-10S/MM8P LEFT - T582 - 096305	N/A	2	\$75.00
2	0225FG02AS	T583	END & CENTRAL PADDLE 8S-10S/MM8P RIGHT - T583 - 096304	N/A	2	\$75.00
3	0218FG02AS	T573	CAP PADDLE 4S-10S/MMP (R3) T573 - 096010	N/A	8	\$19.08
4	TOCD012300	T481	HEX BOLT HD 1/2" X 3" - 226711 - T481	N/A	6	\$3.00
5	TCCS012GAL	T106	HEX LOCK NUT 1/2" - T106 - 227854 - C304	N/A	6	\$1.25
6	0220CC2BX	T708	KEY, 3/8" X 1-5/8" - T708	N/A	4	\$1.25
*6	1000CC01ED	T572	KEY 3/8" X 1-3/4" - 701013 - T572 (OLD DIMENSTIONS)	N/A	4	\$1.25
RUBBER BLADE KIT MM8P						
7	0200HN01AS	T577	WIPER 4S/10S, MMP-35 (R5) - T577 - 190970	N/A	4	\$8.00
8	0218LA01AS	T579	BLADE,4S-10S/MMP, TOP (R2) - T579 - 436290 - 496290	N/A	8	\$10.90
9	0225PL03AS	T586	BLADE, 8S-12SH/MM8P SIDE(R3) - T586 - 496099	N/A	2	\$9.16
10	0218HN01AS	T578	WIPER 4S-6SR, MMP (R4) - T578 - 192680	N/A	2	\$6.36
11	0225PL04AS	T588	BLADE, 8S-12SH/MM8P SIDE (R3) - T588 - 496098	N/A	2	\$9.16
12	RNPX038GAL	T112	PLAIN WASHER 3/8" - T112 - C139 - 174986 - 701032 - C140	N/A	44	\$1.08
13	TCCS038GAL	T114	HEX LOCK NUT 3/8" - 227830 - T114 - C142	N/A	18	\$1.25
14	TOCD038200	T145	HEX BOLT HD, GR5 3/8" X 2" - 226250 - T145 - C158	N/A	4	\$1.25
15	TOCD038112	T176	HEX BOLT 3/8" X 1-1/2" - T176 - C141 - 226230	N/A	16	\$1.25
21	N/A	609910	RUBBER BLADE KIT 8S&P - 10S	N/A	1	\$105.00
STEEL BLADE KIT MM8P						
16	0218PL01AS	T575	BLADE, 4S-6S/MM6P TOP (R3) - T575 - 436280	N/A	4	\$14.42
17	0218PL02AS	T576	BLADE 4S-6SR/MM6P SIDE (R1) - T576 - 436300	N/A	2	\$8.48
18	RNPX038GAL	T112	PLAIN WASHER 3/8" - T112 - C139 - 174986 - 701032 - C140	N/A	24	\$1.06
19	TCCS038GAL	T114	HEX LOCK NUT 3/8" - 227830 - T114 - C142	N/A	12	\$1.23
20	TOCD038112	T176	HEX BOLT 3/8" X 1-1/2" - T176 - C141 - 226230	N/A	12	\$1.23
22	N/A	610555	PADDLE KIT, 8-10S/MM8P	N/A	1	\$415.00

FRAME ASSEMBLY MMP



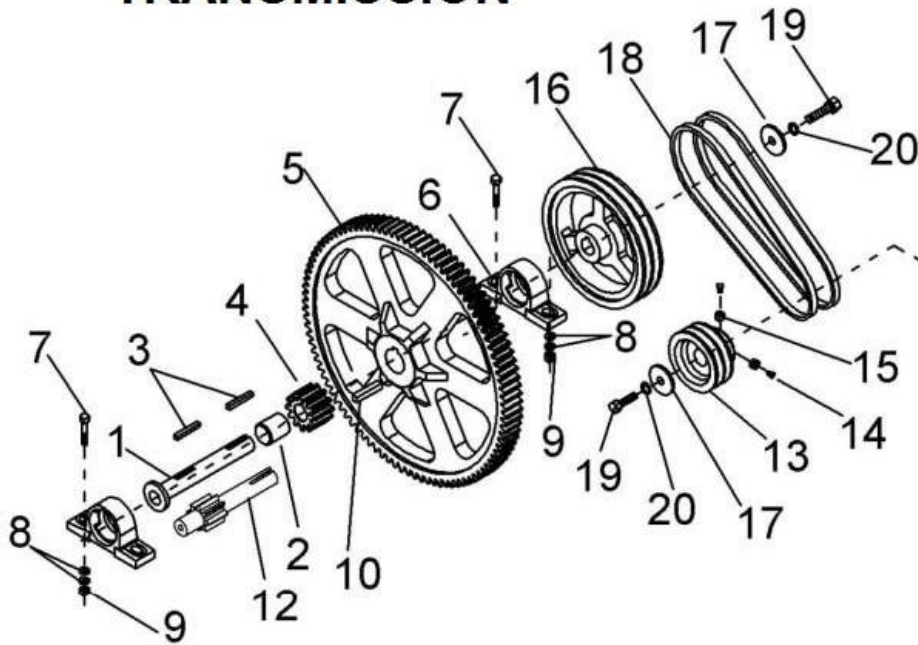
FRAME ASSEMBLY						
#	SKU #	PART #	DESCRIPTION	MM6P	MM8P	LISTPRICE
1	0218CO01CH	T499	FRAME MM6P/6PR - 412089 - T499	1		\$1000.00
1	0225CO01CH	T550	FRAME MM8P/8P - 412163 - T550		1	\$1000.00
2	CAD3516GAL	T501	5/16 SAFETY CHAIN W/ OVAL SNAPS T501 - 609686 - 701012 - CA03316GAL	1	1	\$35.00
3	0000CO03LZ	T118-V	PINTLE HITCH VERTICAL HOLE - 702069 - T118 - C193	1	1	\$80.00
3	0000CO04LZ	T119-V	2" BALL HITCH VERTICAL HOLE - 702070 - T119	1	1	\$80.00
4	0111SR01LZ	T110	3/6" COTTER PIN CP-85H - SR00036EXT - T110 - 134955	1	1	\$1.08
5*	TCFN034GAL	T124	TOWING HITCH, HEX NUT, 3/4 NF - 701028 - T124 - C179 (OBSOLETE)	1	1	\$5.00
5	TCFN058GAL	T124-1	TOWING HITCH, HEX NUT, 5/8 NF - T124-1 - 701033	1	1	\$5.00
6*	RNRX034GAL	T123	TOWING HITCH, SPRING WASHER 3/4" - 174510 - T123 (OBSOLETE)	1	1	\$3.00
6	RNRX058GAL	T123-1	TOWING HITCH, SPRING WASHER 5/8" - T123-1 - 701032	1	1	\$3.00
7*	TOFD034312	T122	TOWING HITCH, HEX HEAD SCREW 3/4" X 3-1/2" - T122 - C148 - 226272 - 701001 (OBSOLETE)	1	1	\$3.00
7	TOFD058312	T122-1	TOWING HITCH, HEX HEAD SCREW 5/8" X 3-1/2" - T122-1 - 701035	1	1	\$3.00
8*	0000CR01LZ	T121	TOWING HITCH, LOCK PIN - T121 - C169 - 496088 - 702078 (OBSOLETE)	1	1	\$10.00
8	TOFD058312-A	T121-1	TOWING HITCH, LOCK PIN - T121-1 - 701031	1	1	\$10.00
9	0000RF01RJ	T166	CONTROL & DUMPING HANDLE GRIPS - 139350 - T166 (ROUND)	1	1	\$10.00
10	0000RF02TQ	T414	ENGAGEMENT HANDLE CHILD HAND GRIP - T414 - 701023	1	1	\$3.33
11	0200CO01CU	T117	ENGAGEMENT CONTROL HANDLE LEVER MM6/MM8 - T117	1	1	\$58.00
12	0200CO01CH	T107	TOWING/DUMPING SPRING LOADED LOCK PIN	1	1	\$7.22
13	00PE038112	T505	CONTROL HANDLE LOCK PIN 3/8 X 1-1/2 - T505	1	1	\$1.08
15	TOCD012134	T189	HEX BOLT HD 1/2" X 1 3/4" - T189 - 226660	7	7	\$3.00
21	TCCS012GAL	T106	HEX LOCK NUT 1/2" - T106 - 227854 - C304	9	9	\$1.25
22	0000RF01CH	T109	TOWING/DUMPING, LOCK PIN SPRING - T109	1	1	\$8.00
23	RNPX034GAL	T108	PLAIN WASHER 3/4" X 1-1/2 - 174996 - T108 - 248277	1	1	\$3.02
28	0200CO03RD	T125-2	STANDARD 46" AXLE MM6-MM12 (NO HUBS) - T125-2	1	1	\$200.00
28	0200CO04RD	T125-3	STANDARD 46" AXLE ASSY MM6-MM12 (INCLUDING HUBS) - T125-3	1	1	\$280.00
29	0200KI03RD	T129-1	WHEEL HUB W/ 1" BRG L44643 & DUST CAP - 702071 - T129 - C135 (NEW STYLE)	2	2	\$75.00
30	0000CO02RD	T137-12	WHEEL & TIRE ASSY 4.8 X 12" - T137-12 - C137 - 431063	2		\$95.00
30	0000CO01RD	T137	WHEEL & TIRE ASSY 165-80 R13" - T137 - 431081 - C136		2	\$115.00
31	0000RF10RD	T136-1	DUST CAP FOR WHEEL HUBS 1.98" (NEW STYLE) - 702087 - T136-1 - 464804	2	2	\$8.00
*	TCMN012GAL	T138	WHEEL LUG NUT 1/2" X 20 - T138	8	8	\$4.00
32	0200CO02CU	T140	IDLER ARM BRACKET - T140 (NO IDLER BEARING)	1	1	\$22.00
33	0200CO04CU	T197	BEARING CLUTCH ASSEY WITH IDLER ARM BRACKET - T197	1	1	\$70.00
34	0200KI01CU	T197-1	BEARING IDLER CLUTCH ASSEMBLY (NO IDLER ARM BRACKET) - T197-1	1	1	\$30.00
35	0000RF01CU	T192	IDLER ARM (CLUTCH) SPRING - T192	1	1	\$9.50



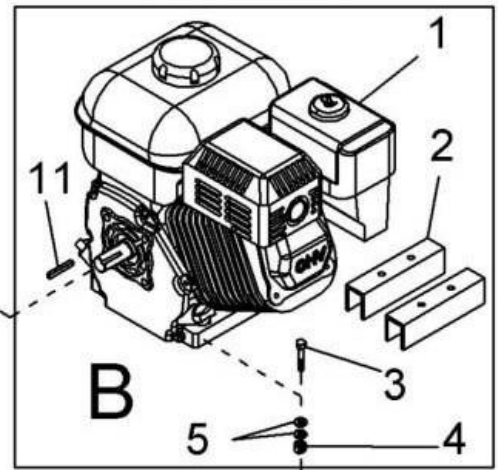
HOOD ASSEMBLY BREAK DOWN

#	SKU #	PART #	DESCRIPTION	MM6P	MM8P	LISTPRICE
1	0000RF01GA	T158	RUBBER SCREW 1/4" FOR SHROUD - T158 - C159 - 201544	2	2	\$3.15
2	0200CO01GA	T157	SQUARE SHROUD ASSEY W/KILL SWITCH MM6-MM10/MMP - T157	1	1	\$300.00
3	1000KI04GA	T193	ENGINE KILL SWITCH ASSEY RED (WITH HARNESS) 701007 - T193	1	1	\$29.00
3	0200KI01GA	T195-1	ENGINE N.O KILL SWITCH RED (NO HARNESS) - 816769AS - 112500 - T195-1 - 290100	1	1	\$18.00
4	0000RF02GA	T160	SHROUD HOOK ASSEMBLY - T160 - C161 - 701004 - 201543	2	2	\$9.00
5	RNPX038GAL	T112	PLAIN WASHER 3/8" - T112 - C139 - 174986 - 701032 - C140	8	8	\$1.08
6	TCCS038GAL	T114	HEX LOCK NUT 3/8" - 227830 - T114 - C142	4	4	\$1.25
7	TOCD038112	T176	HEX BOLT 3/8" X 1-1/2" - T176 - C141 - 226230	4	4	\$1.25

TRANSMISSION



ENGINE



TRANSM. ASSEY BREAK DOWN

#	SKU #	PART #	DESCRIPTION	MM6P	MM8P	LISTPRICE
1	0200CR01TR	T146	TRANSMISSION SHAFT 1" X 7-1/4" - T146	1	1	\$15.00
2	0200TU01TR	T205	TRANSMISSION BUSHING 1" X 1-5/8" MM6- MM10 - T205	1	1	\$13.73
3	0200CC03TR	T202	KEY 1/4" X 1-7/8" - T202 - 432340	2	2	\$1.25
3	0170CC01MO	T483	KEY 1/4 X 1-1/4 - 701027 - C152 - T483 - 0000CU01TR	2	2	\$1.25
4	0200CR04TR	T149	12 TH TRANSMISSION PINION 2-3/8" X 2 1/2" - T149	1	1	\$30.00
5	0200FG02TR	T151	96 TH TRANSMISSION BULL GEAR 14" - T151	1	1	\$165.00
6	00CHPI2100	T150	TRANSMISSION PILLOW BLOCK 1" - T150	2	2	\$60.00
7	TOCD038200	T145	HEX BOLT HD, GR5 3/8" X 2" - 226250 - T145- C158	2	2	\$1.25
8	RNPX038GAL	T112	PLAIN WASHER 3/8" - T112 - C139 - 174986 - 701032 - C140	4	4	\$1.08
9	TCCS038GAL	T114	HEX LOCK NUT 3/8" - 227830 - T114 - C142	2	2	\$1.25
10	0200CC01TR	T120	BULL GEAR KEY 3/8" X 2" - T120	1	1	\$1.27
11	0200CU02TR	T147	ENGINE KEY 1/4 FOR 8HP & 13HP - T147	1	1	\$1.27
11	0200CU03TR	T147-1	ENGINE KEY 3/16" FOR 5HP - C514 - T147-1	1	1	\$1.27
12	0200CR03TR	T1002	ELEC TRANM PINION SHAFT 7-1/4" X 1" W/ 1-1/2" 8TH PINION - T1002	1	1	\$58.00
13	POFG3341002R	T154	PULLEY 3-3/4" CAL 1" X 2 GROOVES (2AK39X1) - 430990 - 702010 - T154	1	1	\$50.00
13	POFG3340342R	T154-1	PULLEY ENGINE, 2AK39 X 3/4" - 407790 - T154-1 - 702025	1	1	\$50.00
13	POFG2120582R	T154-3	PULLEY MOTOR, 2-1/2" X 5/8" 2 GROOVES (2AK2558) - T154-3	1	1	\$40.00
13	POFG2120782R	T1000	PULLEY MOTOR, 2-1/2" CAL 7/8" 2 GROOVES - T1000 - 239365	1	1	\$40.00

13	POFG2121182R	T1001	PULLEY MOTOR, 2-1/2 CAL 1-1/8 X 2 GROOVES - T1001	1	1	\$40.00
14	OPCQ038100	T203	SET SCREW, 3/8 X 1" FOR 8HP - 13HP ENGINE PULLEY - T203	2	2	\$2.55
14	OPCQ038114	T203-1	SET SCREW 3/8" X 1-1/4" FOR 5HP ENGINE - C156 - OPCQ038114 - T203-1	2	2	\$2.55
15	TCCN038GAL	T410	HEX NUT 3/8 NC - T410 - C142 - 227814	2	2	\$1.25
16	POFG8001002R	T153-2	PULLEY 8" CAL 1" 2 GROOVES - T153-2	1	1	\$40.00
17	0200PL01FC	T152	MM PADDLE SHAFT PLAIN WASHER 3/16" - T152 - T162	1	1	\$3.00
18	0000BNAX37	T155	GAS ENGINE TRASMISSION BELT, AX37 - T155	1	1	\$20.00
19	TOFD038100	T116	HEX BOLT 3/8" X 1" NF - 226210 - T116	2	2	\$1.25
20	RNRX038GAL	T113	LOCK WASHER 3/8" - T113 - C144 -176230	2	2	\$1.08

ENGINE ASSEMBLY						
#	SKU #	PART #	DESCRIPTION	MM6P	MM8P	LISTPRICE
1	202004M	T171	ENGINE HONDA 5.5 HP GX160UQXE6 WITH 6:1 REDUCER - T171	1		\$650.00
1	202009M	T304	ENGINE HONDA 8 HP O/A GX240 WITH 6:1 REDUCER - T304	1	1	\$945.00
2	0201PL01MO	T165	RAISING HEIGHT BRACKET FOR 5.5HP ENGINE - T165	2		\$25.00
2	0201PL02MO	T484	RAISING HEIGHT 2" BRACKET FOR ELECTRIC MOTOR - T484	2		\$25.00
3	TOCD056300	T201	HEX BOLT HD 5/16" X 3" - 701009 - T201	4		\$1.08
3	TOCD038200	C158	HEX BOLT HD, GR5 3/8" X 2" - 226250 - T145- C158		4	\$1.25
4	TCCS056GAL	T148	HEX LOCK NUT 5/16" - T148 - 227821	4		\$1.25
4	TCCS038GAL	C142	HEX LOCK NUT 3/8" - 227830 - T114 - C142		4	\$1.25
5	RNPX056ESP	T198	PLAIN WASHER 5/16 I.D. X 3/4 O.D. - T198	4	8	\$1.08
5	RNPX038GAL	C139	PLAIN WASHER 3/8" - T112 - C139 - 174986 - 701032 - C140	1	1	\$1.08
*	0000RF03GA	T299	DECAL KIT & USER MANUAL /PARTS BREAKDOW MM - T299	1	1	\$35.00
*		T299-A	DECAL KIT MORTAR MIXER - T299-A (AS FOR DIGITAL VERISON)	1	1	\$25.00

Octavio Chavez
North America Sales Manager

manager@tkequip.com

www.tkequip.com

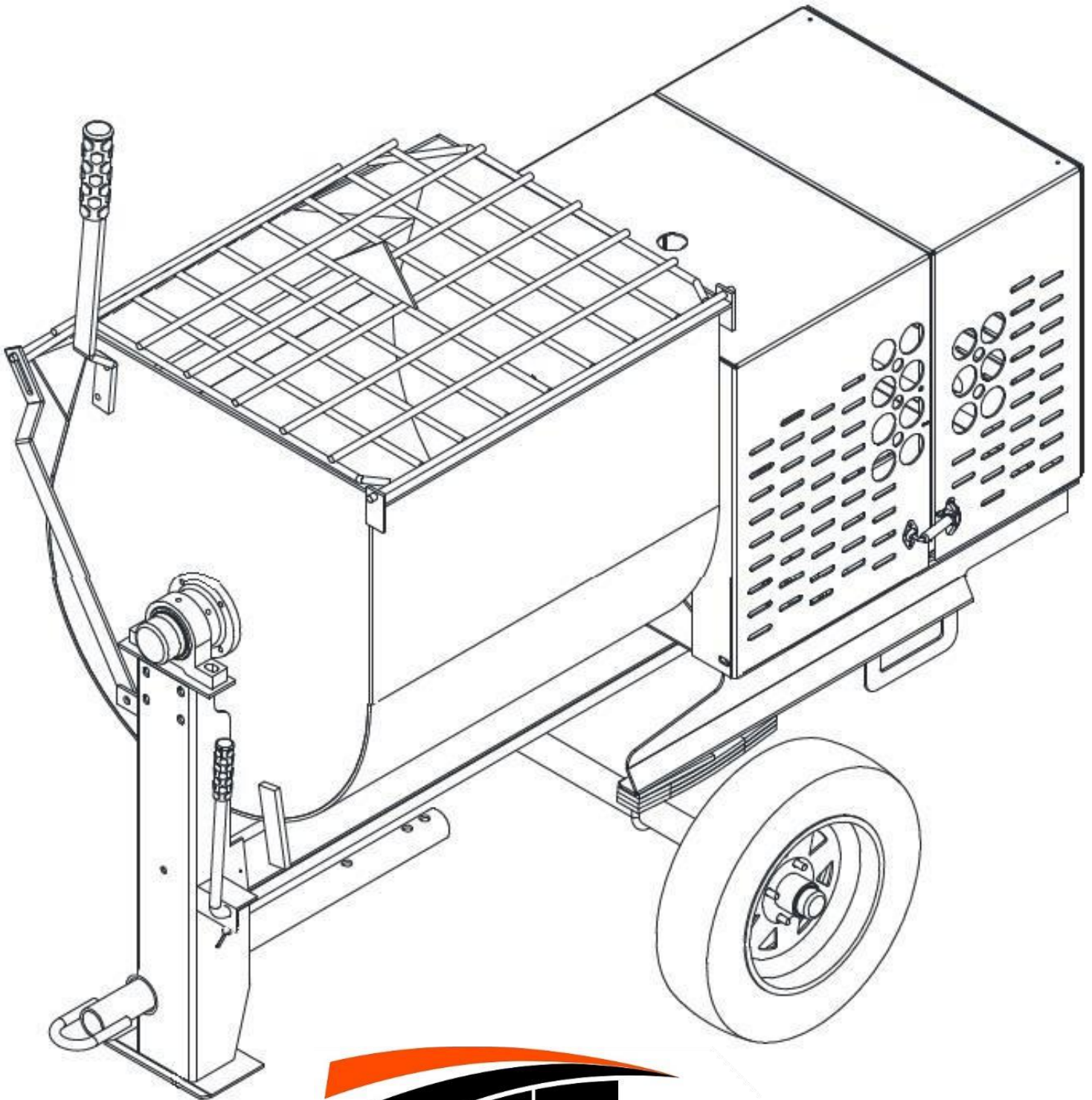


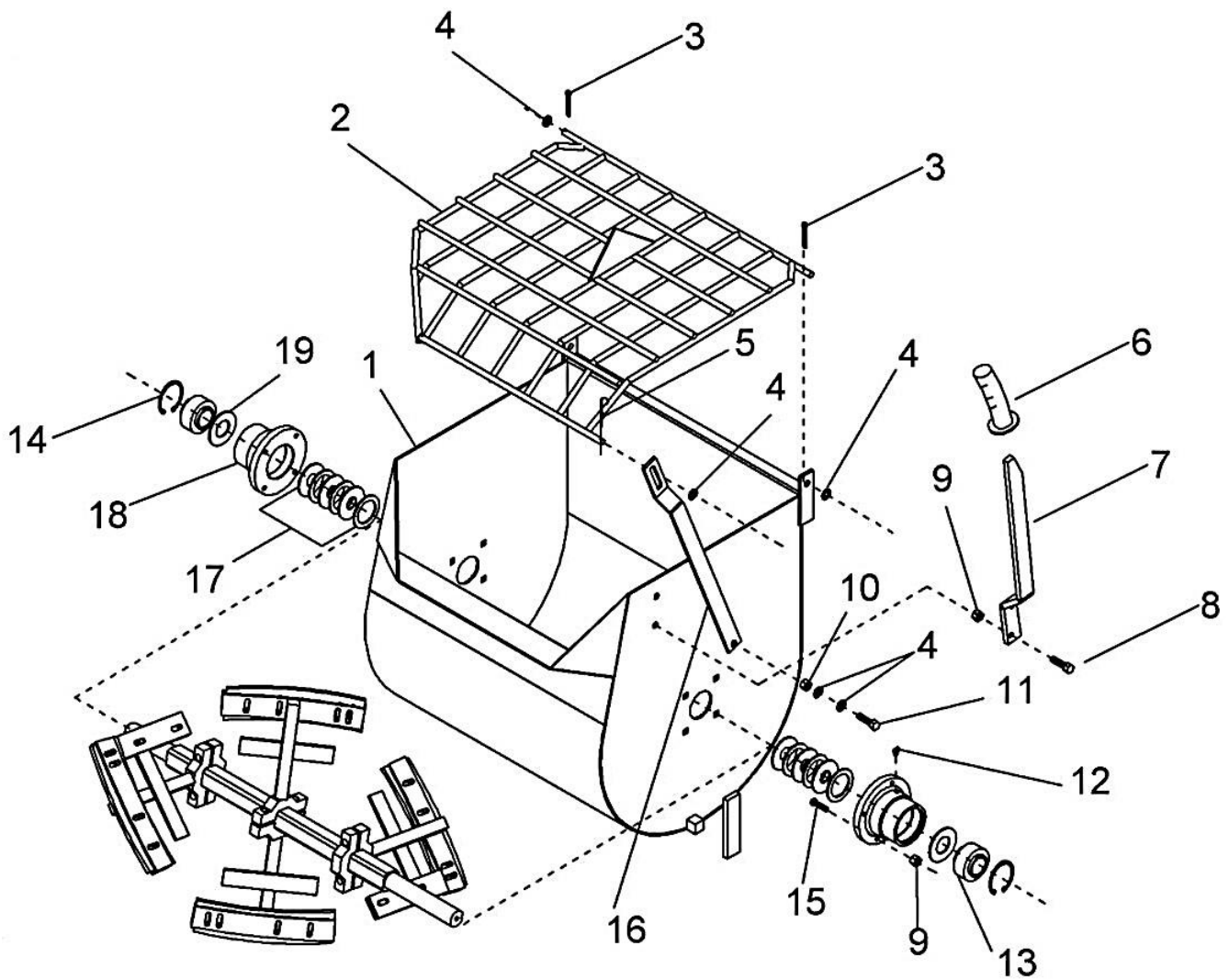
Jaime Ortiz
Office: (956) 796-9411

Fax: (956) 462 2500

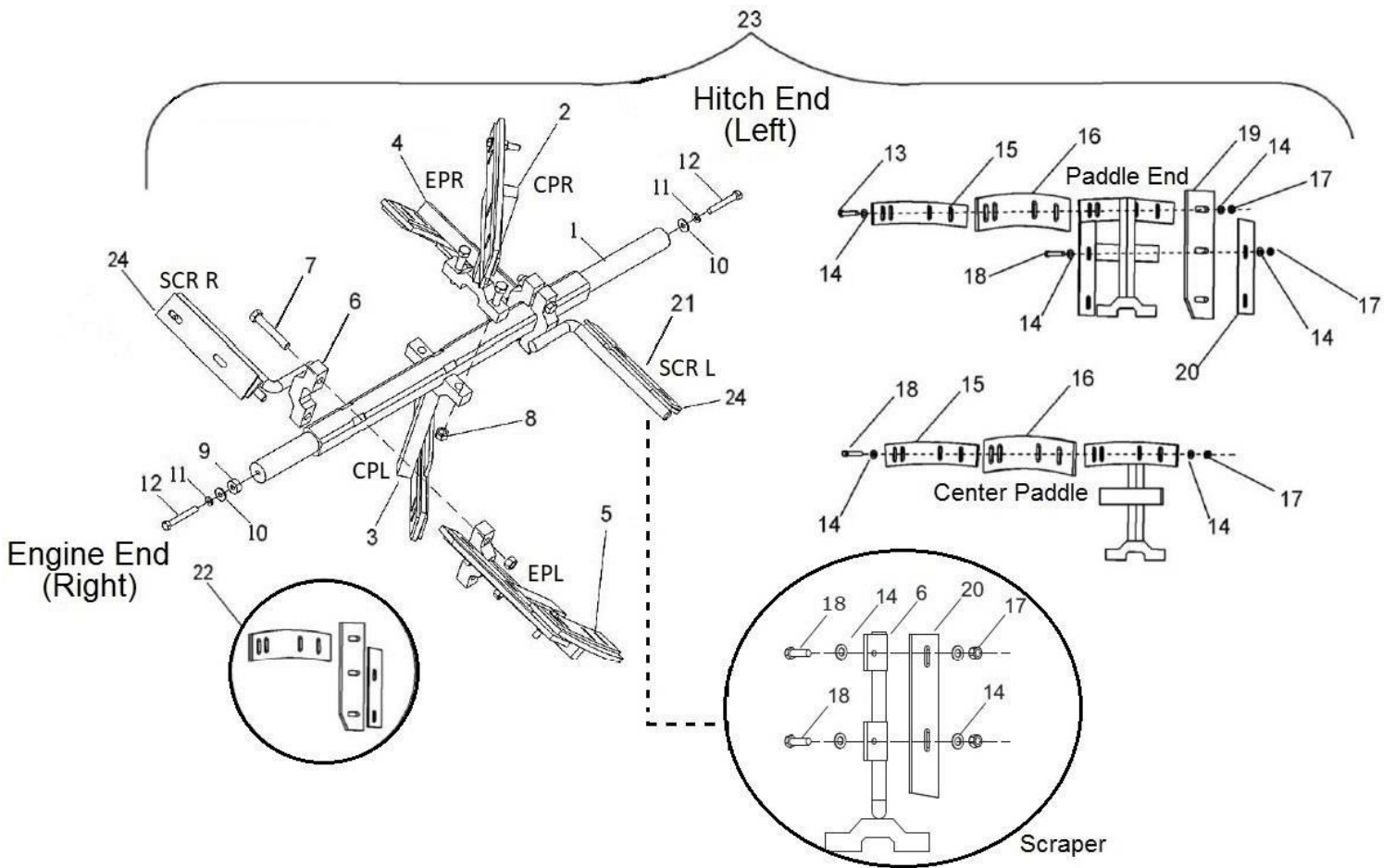
Parts & Customer Service
parts@btmequipment.com
service@btmequipment.com

MM12 V-BELT PARTS BREAKDOWN (LIST PRICE)



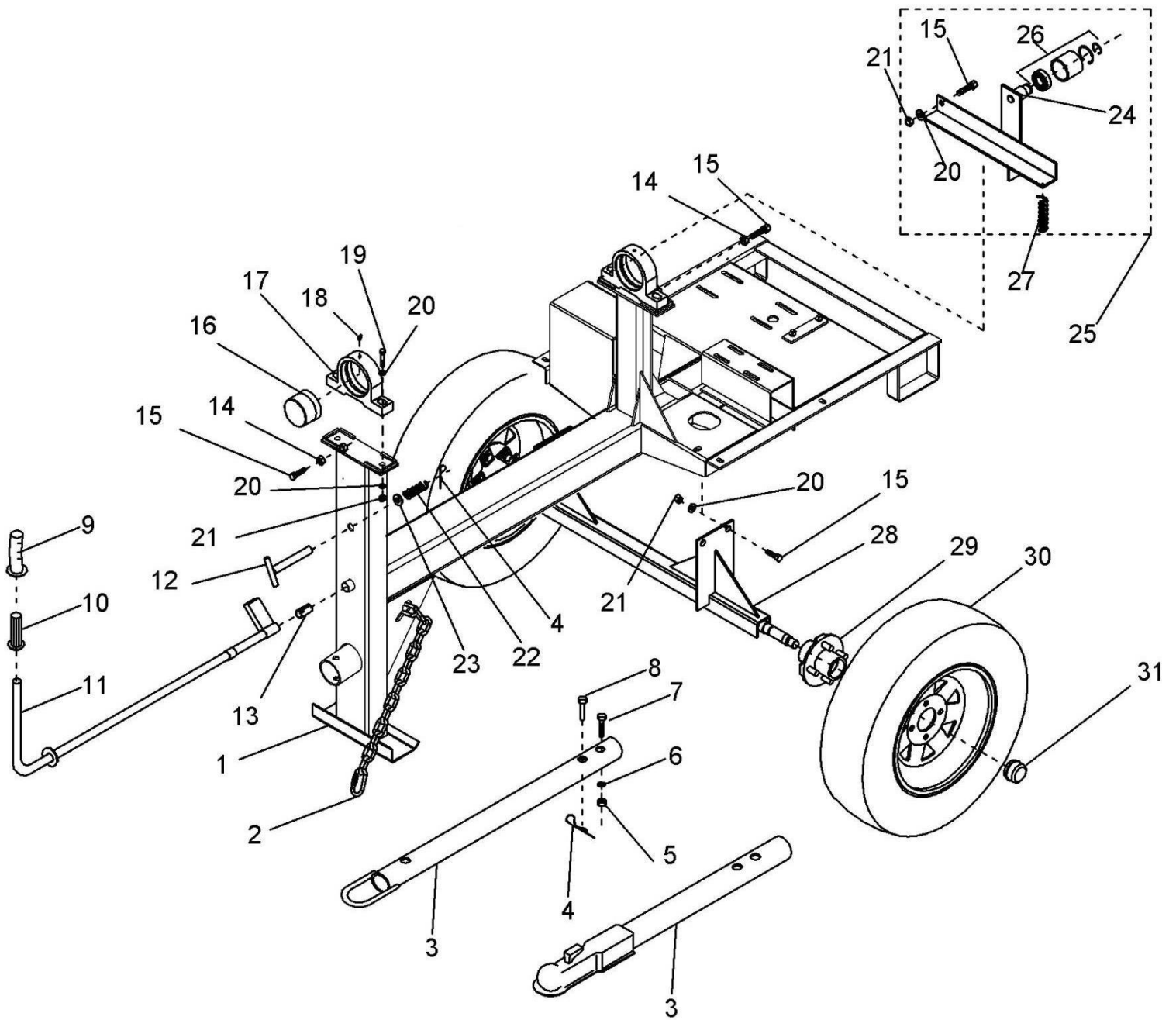


DRUM ASSEMBLY BREAK DOWN					
ITEM	SKU #	PART #	DESCRIPTION	MM12	PRICELIST
*	0204KI02TQ	T502	DRUM MM12/MM12G - T502 (OLD)	1	\$750.00
*	0204KI01TQ	T502-1	DRUM ASSEY COMPLETE MM12 - T502-1 (OLD)	1	\$1,580.00
1	0204CO01TQ	T602	DRUM MM12/MM12G 32-1/2" - T602 (NEW)	1	\$1,000.00
1	0204KI01EF	T602-1	DRUM ASSEY COMPLETE MM12/MM12G 32-1/2" - T602-1 (NEW)	1	\$1,750.00
1		T602-G	DRUM ASSEY COMPLETE MM12G 32-1/2" - T602-G (NEW)		\$1,850.00
2	0204CO01RJ	T603	DRUM GRID W/ BAG CUTTER MM12/MM12G - T603	1	\$198.00
3	CHA 316 2	T111	GRID PIN COTTER, 3/16" X 2" - SC3116200GAL - T111	2	\$1.08
4	RNPX012GAL	T105	PLAIN WASHER 1/2" - T105	5	\$2.12
5	0111SR01LZ	T110	GRID/HITCH HAIR LOCK PIN 3/16" - T110	3	\$1.08
6	0000RF01RJ-1	T166-1	DRUM DUMPING HANDLE GRIP - 139350 - T166-1 (FLAT)	1	\$10.00
7	0200CO01TQ	T168	DRUM DUMPING HANDLE W/ GRIP - T168	1	\$19.00
8	TOCD038112	T176	HEX BOLT 3/8" X 1-1/2" - T176 - C141 - 226230	2	\$1.25
9	TCCS038GAL	T114	HEX LOCK NUT 3/8" - 227830 - T114 - C142	10	\$1.25
10	TCCS012GAL	T106	HEX LOCK NUT 1/2" - T106 - 227854 - C304	1	\$1.25
11	TOCD012134	T189	HEX BOLT HD 1/2" X 1 3/4" - T189 - 226660	1	\$3.00
12	0000GRH045	T102	DRUM BEARING, GREASE FITTING 45 DEG - T102 - 110689	2	\$2.50
13	0000BA20824	T175	BALL BEARING, 1746208-108 - 110450 - T175 (W/O GRS FITTING)	2	\$30.00
14	SM00300INT	T177	DRUM TRUNNION RETAINING RING 3" - T177	2	\$6.47
15	TOCL038112	T174	CARRIAGE BOLT 3/8" X 1-1/2" GR2 ZP - 117771 - 117771 - T174	8	\$1.25
16	0204SO01RJ	T589	MM12 DRUM DUMPING LOCK BAR - T589	1	\$15.00
17	0200KI01TN	T172	DRUM HUB SEALS KIT (ONE END) - T172	2	\$25.00
18	0200CO01TN	T173-2	TRUNNION 4 HOLES FOR 3/8" SCREWS - T173-2	1	\$65.00
19	0200LA01TN	T169	DRUM HUB STEEL SPACER - T169	2	\$2.50



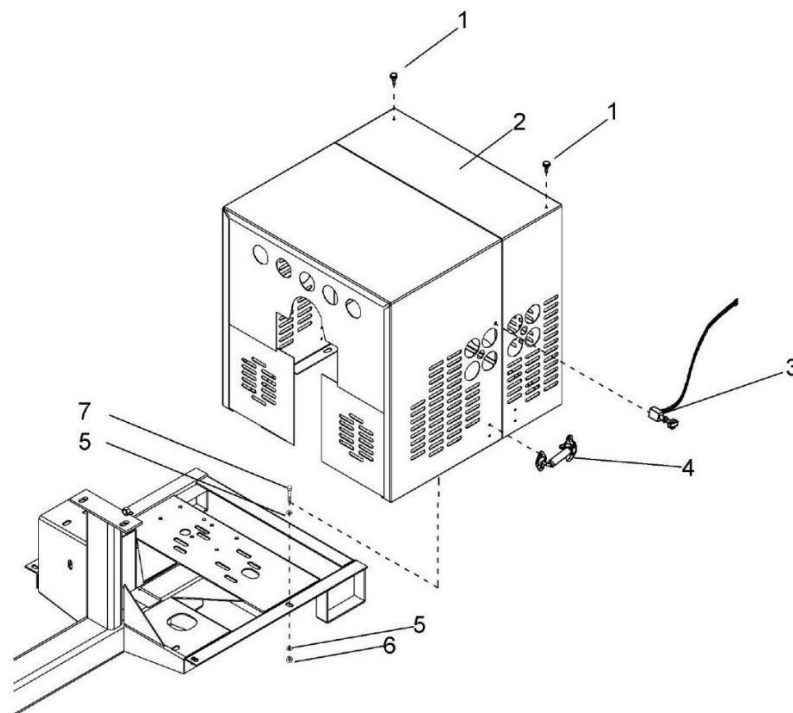
PADDLE ASSEMBLY					
ITEM	SKU #	PART #	DESCRIPTION	MM12	LISTPRICE
1	0203CR01CH	T404	SQUARE MAIN SHAFT 1-3/4" X 43-5/8" - MM10/MM12 - T404	1	\$150.00
1	0220CR01FC	T654	SQUARE MAIN SHAFT MM12G 1-3/4" X ###-##/## MM12G - T654		\$160.00
2	0204CO01AS-1	T606-2	PADDLE CENTER RIGHT MM12 - MM12G (1" GRIP) - T606-2	1	\$80.00
3	0204CO02AS-1	T408-2	CENTER PADDLE LEFT MM12 - MM12G (1" GRIP) - T408-2	1	\$80.00
4	0204CO04AS-1	T614-2	HITCH END, END PADDLE RIGHT ARM MM12 - MM12G (1" GRIP) T614-2	1	\$100.00
5	0204CO03AS-1	T609-2	ENGINE END, END PADDLE LEFT ARM MM12 - MM12G (1" GRIP) T609-2	1	\$100.00
6	0202CO02RP	T600	ENGINE END, END SCRAPER LEFT MM12 (1" GRIP) - T600	1	\$45.00
7	TOCD012312	N/A	HEX BOLT HD 1/2 X 3-1/2 (1" GRIP PADDLES) - 120520 - 226745	6*	\$4.24
8	TCCS012GAL	T106	HEX LOCK NUT 1/2" - T106 - 227854 - C304	6	\$1.25
9	0200TU01FC	T413	MAIN SHAFT BUSHING - T413	1	\$15.00
10	0200PL01FC	T152	MM PADDLE SHAFT PLAIN WASHER 3/16" - T152 - T162	2	\$3.00
11	RNRX038GAL	T113	LOCK WASHER 3/8 T113 - C144 - 176230	2	\$1.08
12	TOFD038100	T116	HEX BOLT 3/8 X 1 NF - 226210 - T116	2	\$1.25
13	TOCD038200	T145	HEX BOLT HD, GR5 3/8" X 2" - 226250 - T145 - C158	4	\$1.25
14	RNPX038GAL	T112	PLAIN WASHER 3/8" - T112 - C139 - 174986 - 701032 - C140	40	\$1.08
15	0201RF01AS	T180	CENTER PADDLE RUBBER BLADE MM6-MM12 - T186 - T307 - T312	4	\$10.00
16	0200SO01AS	T181	CENTER PADDLE STEEL BLADE MM6 - MM12 - T181 - T187 - T313	4	\$12.35
17	TCCS038GAL	T114	HEX LOCK NUT 3/8" - 227830 - T114 - C142	20	\$1.25
18	TOCD038112	T176	HEX BOLT 3/8" X 1-1/2" - T176 - C141 - 226230	18	\$1.25
19	0200RF02AS	T310	END PADDLE SIDE RUBBER BLADE MM8/MM10/HM12/HM16 - T310	2	\$10.00
20	0200SO02AS	T311	END PADDLE SIDE STEEL BLADE MM8/MM12 - T311	2	\$10.00
21	0202CO01RP	T598	HITCH END, END SCRAPER RIGHT MM12/MM12G (1" GRIP) - T598	1	\$45.00
22	0200KI03AS	T301	RUBBER BLADE KIT MM8-MM12-HM12	1	\$65.00

COMPLETE PADDLE/RUBBER KITS					
#	SKU #	PART #	DESCRIPTION	MM12	PRICELIST
23	0204KI01AS-1	T606-3	COMPLETE PADDLE SET MM12 - MM12G (1" GRIP) - T606-3	1	\$600.00
24		496242	LEFT/RIGHT & STEEL PLATE SCRAPERS MM12 - MM12G	2	\$15.57
25	0204KI01ES	T206-3	MM12S SPIRAL BLADE KIT - T206-3	1	\$425.00



MM FRAME ASSEY					
#	MANUF. #	PART #	DESCRIPTION ENGLISH	MM12	LISTPRICE
1	0204CO01CH	T500	FRAME MM12 - T500	1	\$1500.00
2	CAD3516GAL	T501	5/16 SAFETY CHAIN W/ OVAL SNAPS T501 - 609686 - 701012 - CA03316GAL	1	\$35.00
3	0000CO03LZ	T118-V	PINTLE HITCH VERTICAL HOLE - 702069 - T118 - C193	1	\$80.00
3	0000CO04LZ	T119-V	2" BALL HITCH VERTICAL HOLE - 702070 - T119	1	\$80.00
4	0111SR01LZ	T110	3/6" COTTER PIN CP-85H - SR00036EXT - T110 - 134955	1	\$1.08
5*	TCFN034GAL	T124	TOWING HITCH, HEX NUT, 3/4 NF - 701028 - T124 - C179 (OBSOLETE)	1	\$5.00
5	TCFN058GAL	T124-1	TOWING HITCH, HEX NUT, 5/8 NF - T124-1 - 701033	1	\$5.00
6*	RNRX034GAL	T123	TOWING HITCH, SPRING WASHER 3/4" - 174510 - T123 (OBSOLETE)	1	\$3.00
6	RNRX058GAL	T123-1	TOWING HITCH, SPRING WASHER 5/8" - T123-1 - 701032	1	\$3.00
7*	TOFD034312	T122	TOWING HITCH, HEX HEAD SCREW 3/4" X 3-1/2" - T122 - C148 - 226272 - 701001 (OBSOLETE)	1	\$3.00
7	TOFD058312	T122-1	TOWING HITCH, HEX HEAD SCREW 5/8" X 3-1/2" - T122-1 - 701035	1	\$3.00
8*	0000CR01LZ	T121	TOWING HITCH, LOCK PIN - T121 - C169 - 496088 - 702078 (OBSOLETE)	1	\$10.00
8	TOFD058312-A	T121-1	TOWING HITCH, LOCK PIN - T121-1 - 701031	1	\$10.00
9	0000RF01RJ	T166	CONTROL & DUMPING HANDLE GRIPS - 139350 - T166 (ROUND)	1	\$10.00
10	0000RF02TQ	T414	ENGAGEMENT HANDLE CHILD HAND GRIP - T414 - 701023	1	\$3.33
11	0203CO01CU	T415	ENGAGEMENT CONTROL HANDLE LEVER MM10 - T415	1	\$60.00
12	0200CO01CH	T107	TOWING/DUMPING LOCK PIN - T107	1	\$7.22
13	00PE038112	T505	CONTROL HANDLE LOCK PIN 3/8 X 1-1/2 - T505	1	\$1.08
14	TCCN012GAL	T190	HEX LOCK NUT 1/2" - T190 - C178 (WELDED TO THE FRAME)	1	\$0.00

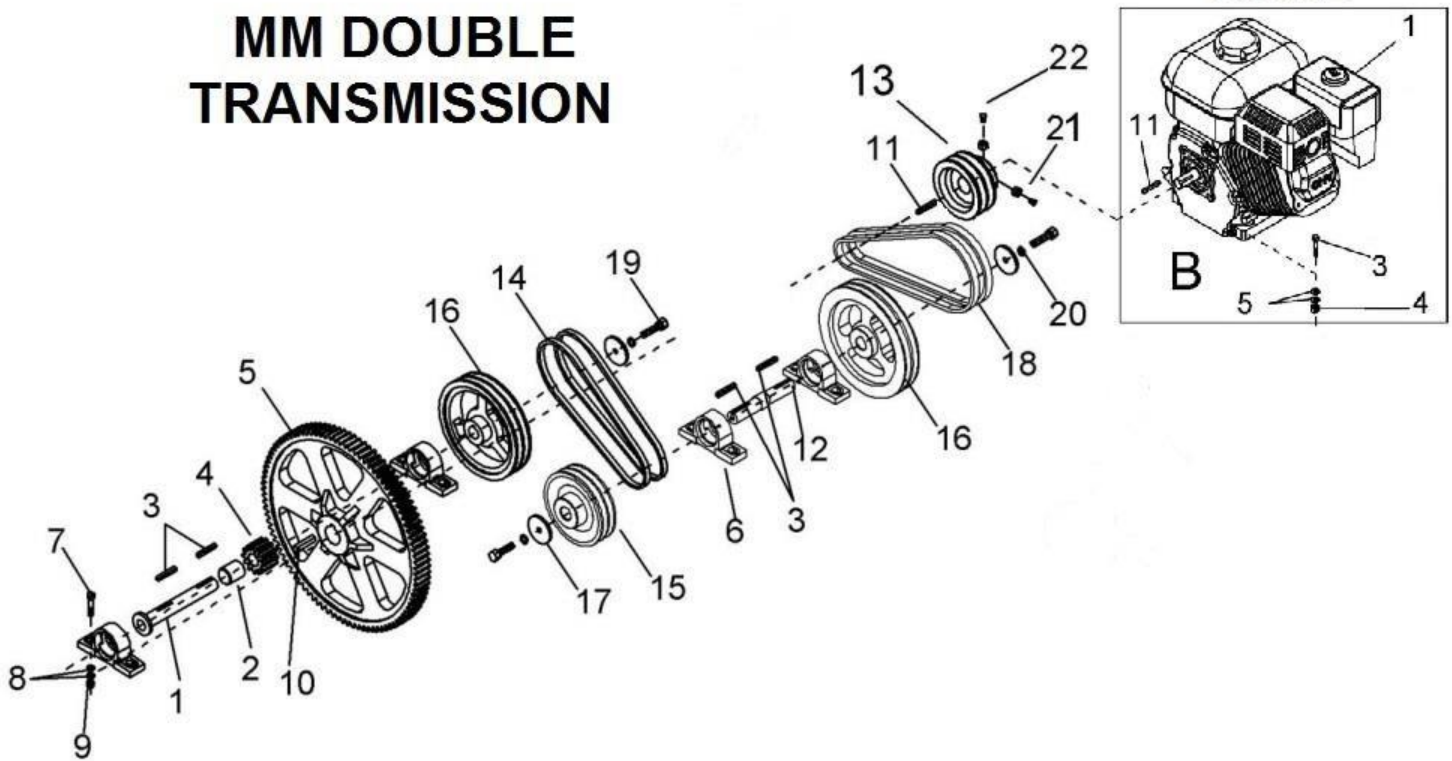
15	TOCD012134	T189	HEX BOLT HD 1/2" X 1 3/4" - T189 - 226660	1	\$3.00
16	0000RF02CH	T126	MM DRUM BEARINGS DUST CAP - T126	1	\$25.00
17	00CHPI2300	T101	3" DRUM PILLOW BLOCK - T101	2	\$25.00
18	0000GRH045	T102	DRUM BEARING, GREASE FITTING 45 DEG - T102 - 110689	2	\$2.50
19	TOCD012212	T104	HEX BOLT HD 1/2" X 2-1/2" - T104 - C146 - 226690	4	\$1.25
20	RNPX012GAL	T105	PLAIN WASHER 1/2" - T105 - C172 - 174470	17	\$2.12
21	TCCS012GAL	T106	HEX LOCK NUT 1/2" - T106 - 227854 - C304	9	\$1.25
22	0000RF01CH	T109	TOWING/DUMPING, LOCK PIN SPRING - T109	1	\$8.00
23	RNPX034GAL	T108	PLAIN WASHER 3/4" X 1-1/2 - 174996 - T108 - 248277	1	\$3.02
24	0200CO02CU	T140	IDLER ARM BRACKET (NO BEARING) - T140	1	\$22.00
25	0200CO04CU	T197	BEARING CLUTCH ASSEY WITH IDLER ARM BRACKET - T197	1	\$70.00
26	0200KI01CU	T197-1	BEARING IDLER CLUTCH ASSEMBLY (NO IDLER ARM BRACKET) - T197-1	1	\$30.00
27	0000RF01CU	T192	IDLER ARM (CLUTCH) SPRING - T192	1	\$9.50
28	0200CO03RD	T125-2	STANDARD 46" AXLE MM6-MM12 (NO HUBS) - T125-2	1	\$200.00
28	0200CO04RD	T125-3	STANDARD 46" AXLE ASSY MM6-MM12 (INCLUDING HUBS) - T125-3	1	\$280.00
29	0200KI03RD	T129-1	WHEEL HUB W/ 1" BRG L44643 & DUST CAP - 702071 - T129 - C135 (NEW STYLE)	2	\$75.00
30	0000CO01RD	T137	WHEEL & TIRE ASSY 165-80 R13" - T137 - 431081 - C136	2	\$115.00
31	0000RF10RD	T136-1	HIGH SPEED WHEELS HUB, DUST CAP (NEW STYLE) - T136-1	2	\$8.00



HOOD ASSEMBLY						
#	MANUF. #	PART #	DESCRIPTION	MM12	MM12G	LISTPRICE
1	0000RF01GA	T158	RUBBER SCREW 1/4" FOR SHROUD - T158 - C159 - 201544	2	2	\$3.15
2	0221CO01GA	T601	MM12 SQUARE SHROUD ASSEY (BLACK) - T601 - T157-12	1		\$400.00
2	0220CO01GA	T601G	MM12G SQUARE SHROUD ASSEY (BLACK) - T601G		1	\$400.00
3	0200KI01GA	T193	ENGINE KILL SWITCH ASSEY RED (WITH HARNESS) 701007 - T193	1	1	\$29.00
3	0200KI01GA	T195-1	ENGINE N.O KILL SWITCH RED (NO HARNESS) - 816769AS - 112500 - T195-1 - 290100	1	1	\$18.00
4	0000RF02GA	T160	SHROUD HOOK ASSEMBLY - T160 - C161 - 701004 - 201543	2	2	\$9.00
5	RNPX038GAL	T112	PLAIN WASHER 3/8" - T112 - C139 - 174986 - 701032 - C140	8	8	\$1.08
6	TCCS038GAL	T114	HEX LOCK NUT 3/8" - 227830 - T114 - C142	4	4	\$1.25
7	TOCD038112	T176	HEX BOLT 3/8" X 1-1/2" - T176 - C141 - 226230	4	4	\$1.25
8G	ASK FOR #		ENGINE SHROUD LID ACCESS CAP	N/A	1	\$21.00

ENGINE ASSEMBLY BREAK DOWN						
#	SKU #	PART #	DESCRIPTION	MM12	MM12G	PRICELIST
1	202013M	N/A	ENGINE HONDA 13 HP GX340 WITH 6:1 REDUCER	1	N/A	\$1185.00
3	TOCD038200	C158	HEX BOLT HD, GR5 3/8" X 2" - 226250 - T145 - C158	4	4	\$1.25
4	TCCS038GAL	C142	HEX LOCK NUT 3/8" - 227830 - T114 - C142	4	4	\$1.25
5	RNPX038GAL	C139	PLAIN WASHER 3/8" - T112 - C139 - 174986 - 701032 - C140	8	8	\$1.08
11	0200CU02TR	T147	ENGINE KEY 1/4 FOR 8HP & 13HP - T147 - 0405CC01CO	1	1	\$1.27

MM DOUBLE TRANSMISSION



TRANSM. ASSEY MM					
#	SKU ##	PART #	DESCRIPTION	MM12	LISTPRICE
1	0204CR02TR	T474	MM12 TRANSMISSION SHAFT 1" X 6-1/2" (BULLGEAR END) - T474	1	\$18.00
2	0204CR03TR	T475	MM12 TRANSM BUSHING 1" X 1" - T475	1	\$15.00
3	0000CU01TR	T483	KEY 1/4 X 1-1/4 - 701027 - C152 - T483 - 0000CU01TR	4	\$1.25
4	0200CR04TR	T149	12 TH TRANSMISSION PINION 2-3/8" X 2 1/2" - T149	1	\$30.00
5	0200FG02TR	T151	96 TH TRANSMISSION BULL GEAR 14" - T151	1	\$165.00
6	00CHPI2100	T150	TRANSMISSION PILLOW BLOCK 1" - T150	4	\$21.00
7	TOCD038200	T145	HEX BOLT HD, GR5 3/8" X 2" - 226250 - T145- C158	8	\$1.25
8	RNPX038GAL	T112	PLAIN WASHER 3/8" - T112 - C139 - 174986 - 701032 - C140	16	\$1.08
9	TCCS038GAL	T114	HEX LOCK NUT 3/8" - 227830 - T114 - C142	8	\$1.25
10	0200CC01TR	T120	BULL GEAR KEY 3/8" X 2" - T120	1	\$1.27
11	0200CU02TR	T147	ENGINE KEY 1/4 FOR 8HP & 13HP - T147	1	\$1.27
12	0204CR01TR	T476	MM12 TRANSMISSION SHAFT 1" X 6-7/8" (BETWEEN PULLEYS) - T476	1	\$18.00
13	POFG3341002R	T154	PULLEY 3-3/4" CAL 1" X 2 GROOVES (2AK39X1) - 430990 - 702010 - T154	1	\$50.00
13	POFG2120582R	T154-3	PULLEY MOTOR, 2-1/2" X 5/8" 2 GROOVES (2AK2558) - T154-3	1	\$40.00
13	POFG2120782R	T1000	PULLEY MOTOR, 2-1/2" CAL 7/8" 2 GROOVES - T1000 - 239365	1	\$40.00
13	POFG2121182R	T1001	PULLEY MOTOR, 2-1/2 CAL 1-1/8 X 2 GROOVES - T1001	1	\$40.00
14	0000BNAX52	T155-1	DOUBLE TRANSMISSION BELT FOR MM12, AX52 - T155-1	2	\$25.00
15	POFG6001002R	T478	PULLEY 6" CAL 1" X 2 GROOVES - T478	1	\$60.00
16	POFG8001002R	T153	PULLEY 8" CAL 1" 2 GROOVES - T153-2	2	\$60.00
17	0200PL01FC	T152	MM PADDLE SHAFT PLAIN WASHER 3/16" - T152 - T162	3	\$3.00
18	0000BNAX37	T155	GAS ENGINE TRASMISSION BELT, AX37 - T155	2	\$20.00
19	TOFD038100	T116	HEX BOLT 3/8" X 1" NF - 226210 - T116	3	\$1.25
20	RNRX038GAL	T113	LOCK WASHER 3/8" - T113 - C144 - 176230	2	\$1.08
21	OPCQ038100	T203	SET SCREW, 3/8 X 1" FOR 8HP - 13HP ENGINE PULLEY - T203	2	\$2.55
22	TCCN038GAL	T410	HEX NUT 3/8 NC - T410 - C142 - 227814	2	\$1.25

Octavio Chavez
North America Sales Manager

manager@tkequip.com
www.tkequip.com



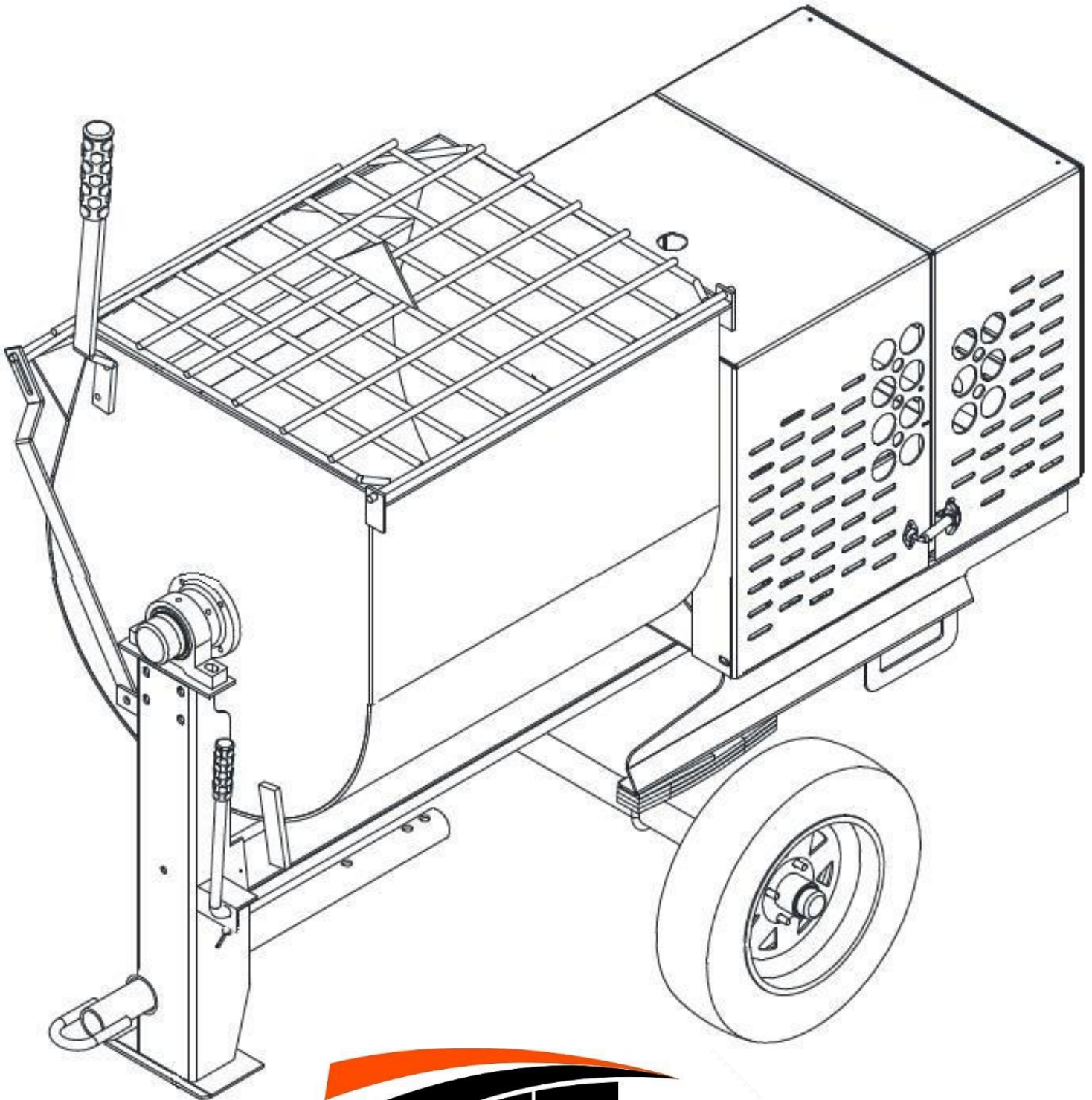
Jaime Ortiz
Office: (956) 796-9411

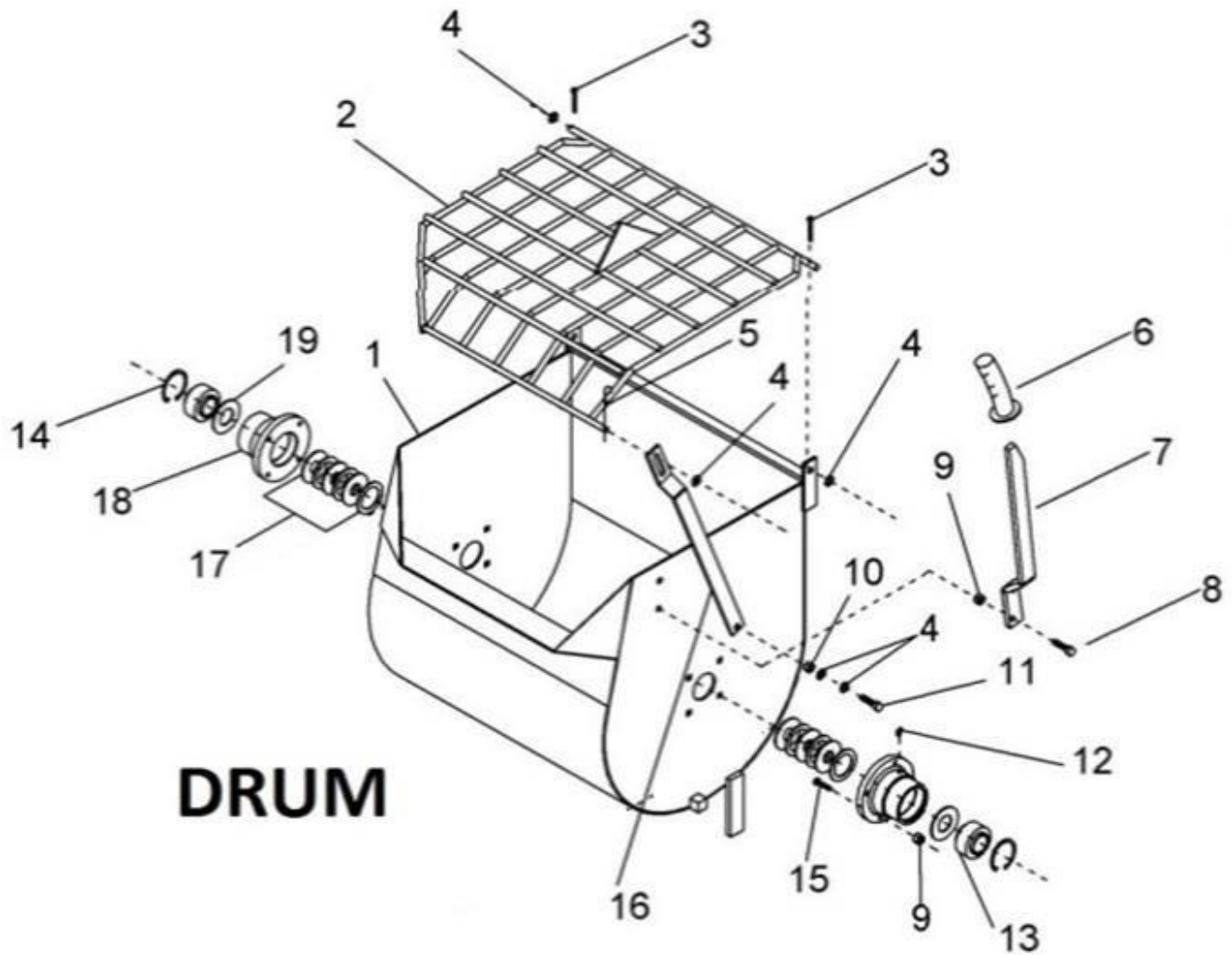
Fax: (956) 462 2500

Parts & Customer Service
parts@btmequipment.com
service@btmequipment.com

MM12G - 2020

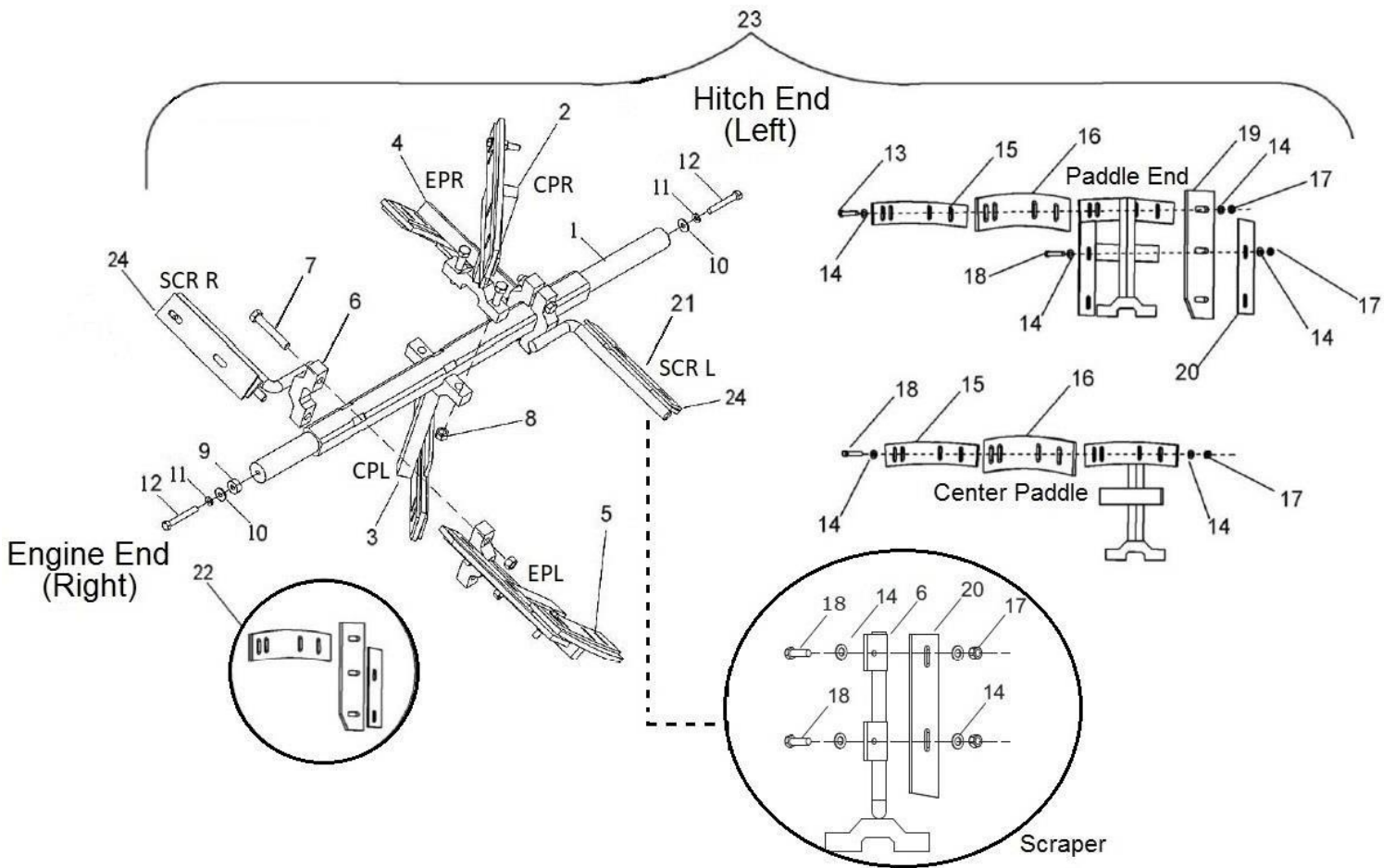
PARTS BREAKDOWN (LIST PRICE)





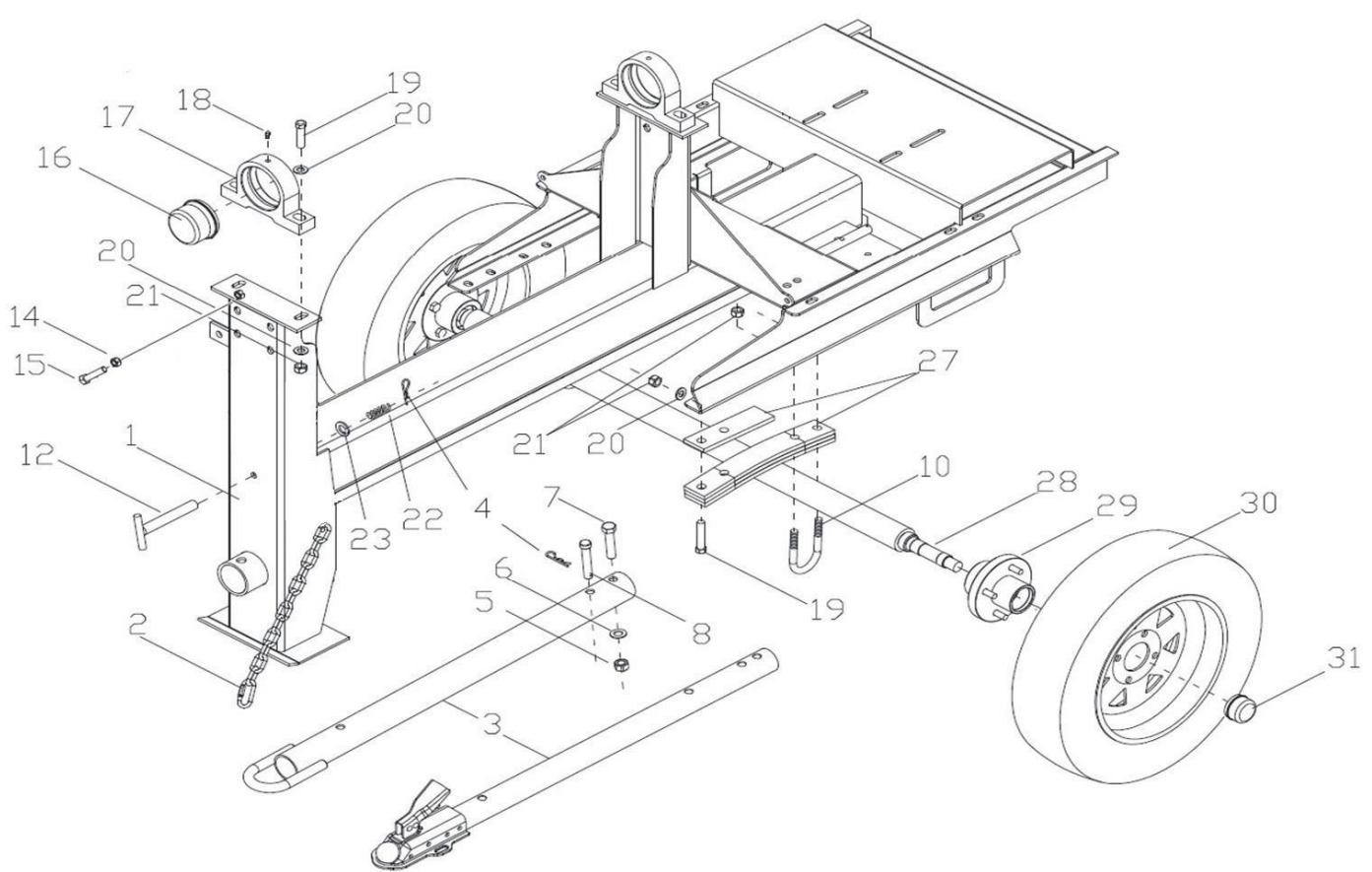
DRUM

DRUM ASSEMBLY BREAK DOWN					
ITEM	SKU #	PART #	DESCRIPTION	MM12G	PRICELIST
1	ASK FOR #	N/A	DRUM MM12G	1	\$1,000.00
1		T602-G	DRUM ASSEY COMPLETE MM12G		\$1,750.00
2	O204CO01RJ	T603	DRUM GRID W/ BAG CUTTER MM12/MM12G - T603	1	\$198.00
3	CHA 316 2	T111	GRID PIN COTTER, 3/16" X 2" - SC3116200GAL - T111	2	\$1.08
4	RNPX012GAL	T105	PLAIN WASHER 1/2" - T105	5	\$2.12
5	O111SR01LZ	T110	GRID/HITCH HAIR LOCK PIN 3/16" - T110	3	\$1.08
*6	O000RF01RJ	T166	CONTROL & DUMPING HANDLE GRIPS - 139350 - T166 (ROUND)	1	\$10.00
6	O000RF01RJ-1	T166-1	DRUM DUMPING HANDLE GRIP - 139350 - T166-1 (FLAT)	1	\$10.00
7	O200CO01TQ	T168	DRUM DUMPING HANDLE W/ GRIP - T168	1	\$19.00
8	TOCD038112	T176	HEX BOLT 3/8" X 1-1/2" - T176 - C141 - 226230	2	\$1.25
9	TCCS038GAL	T114	HEX LOCK NUT 3/8" - 227830 - T114 - C142	10	\$1.25
10	TCCS012GAL	T106	HEX LOCK NUT 1/2" - T106 - 227854 - C304	1	\$1.25
11	TOCD012134	T189	HEX BOLT HD 1/2" X 1 3/4" - T189 - 226660	1	\$3.00
12	O000GRH045	T102	DRUM BEARING, GREASE FITTING 45 DEG - T102 - 110689	2	\$2.50
13	O000BA20824	T175	BALL BEARING, 1746208-108 - 110450 - T175 (W/O GRS FITTING)	2	\$30.00
14	SM00300INT	T177	DRUM TRUNNION RETAINING RING 3" - T177	2	\$6.47
15	TOCL038112	T174	CARRIAGE BOLT 3/8" X 1-1/2" GR2 ZP - 117771 - 117771 - T174	8	\$1.25
16	O204SO01RJ	T589	MM12 DRUM DUMPING LOCK BAR - T589	1	\$15.00
17	O200KI01TN	T172	DRUM HUB SEALS KIT (ONE END) - T172	2	\$25.00
18	O200CO01TN	T173-2	TRUNNION 4 HOLES FOR 3/8" SCREWS - T173-2	1	\$65.00
19	O200LA01TN	T169	DRUM HUB STEEL SPACER - T169	2	\$2.50



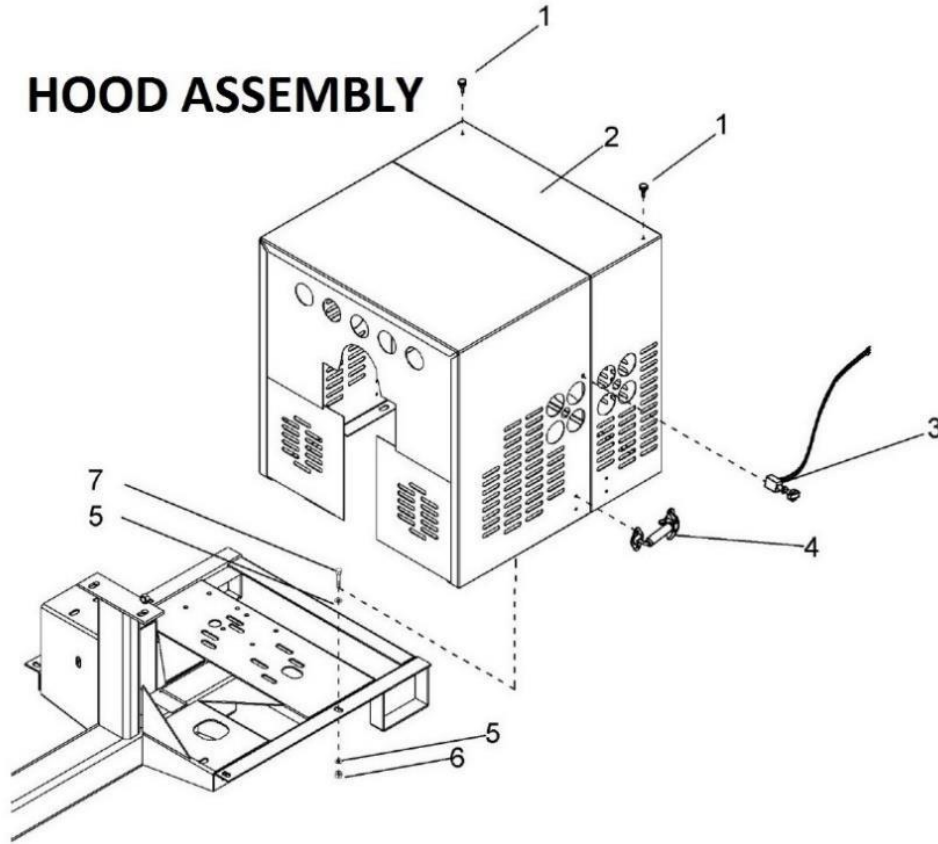
PADDLE ASSEMBLY					
ITEM	SKU #	PART #	DESCRIPTION	MM12G	LISTPRICE
1	0220CR01FC	T654	SQUARE MAIN SHAFT MM12G 1-3/4" X ##-##/## MM12G - T654	1	\$160.00
2	0204CO01AS-1	T606-2	PADDLE CENTER RIGHT MM12 -MM12G (1" GRIP) - T606-2	1	\$80.00
3	0204CO02AS-1	T408-2	CENTER PADDLE LEFT MM12 - MM12G (1" GRIP) - T408-2	1	\$80.00
4	0204CO04AS-1	T614-2	HITCH END, END PADDLE RIGHT ARM MM12 - MM12G (1" GRIP) T614-2	1	\$100.00
5	0204CO03AS-1	T609-2	ENGINE END, END PADDLE LEFT ARM MM12 - MM12G (1" GRIP) T609-2	1	\$100.00
6	0202CO02RP	T600	ENGINE END, END SCRAPER LEFT MM12 (1" GRIP) - T600	1	\$45.00
7	TOCD012312	N/A	HEX BOLT HD 1/2 X 3-1/2 (1" GRIP PADDLES) - 120520 - 226745	6*	\$4.24
8	TCCS012GAL	T106	HEX LOCK NUT 1/2" - T106 - 227854 - C304	6	\$1.25
9	0200TU01FC	T413	MAIN SHAFT BUSHING - T413	N/A	\$15.00
10	0200PL01FC	T152	MM PADDLE SHAFT PLAIN WASHER 3/16" - T152 - T162	N/A	\$3.00
11	RNRX038GAL	T113	LOCK WASHER 3/8 T113 - C144 -176230	N/A	\$1.08
12	TOFD038100	T116	HEX BOLT 3/8 X 1 NF - 226210 - T116	N/A	\$1.25
13	TOCD038200	T145	HEX BOLT HD, GR5 3/8" X 2" - 226250 - T145- C158	4	\$1.25
14	RNPX038GAL	T112	PLAIN WASHER 3/8" - T112 - C139 - 174986 - 701032 - C140	40	\$1.08
15	0201RF01AS	T180	CENTER PADDLE RUBBER BLADE MM6-MM12 - T186 - T307 - T312	4	\$10.00
16	0200SO01AS	T181	CENTER PADDLE STEEL BLADE MM6 - MM12 - T181 - T187 - T313	4	\$12.35
17	TCCS038GAL	T114	HEX LOCK NUT 3/8" - 227830 - T114 - C142	20	\$1.25
18	TOCD038112	T176	HEX BOLT 3/8" X 1-1/2" - T176 - C141 - 226230	18	\$1.25
19	0200RF02AS	T310	END PADDLE SIDE RUBBER BLADE MM8/MM10/HM12/HM16 - T310	2	\$10.00
20	0200SO02AS	T311	END PADDLE SIDE STEEL BLADE MM80/MM12 - T311	2	\$10.00
21	0202CO01RP	T598	HITCH END, END SCRAPER RIGHT MM12/MM12G (1" GRIP) - T598	1	\$45.00
22	0200KI03AS	T301	RUBBER BLADE KIT MM8-MM12-HM12	1	\$65.00

COMPLETE PADDLE/RUBBER KITS					
#	SKU #	PART #	DESCRIPTION	MM12G	PRICELIST
23	0204KI01AS-1	T606-3	COMPLETE PADDLE SET MM12 -MM12G (1" GRIP) - T606-3	1	\$600.00
24		496242	LEFT/RIGHT & STEEL PLATE SCRAPERS MM12 - MM12G	2	\$15.57
25	0204KI01ES	T206-3	MM12S SPIRAL BLADE KIT - T206-3	1	\$425.00

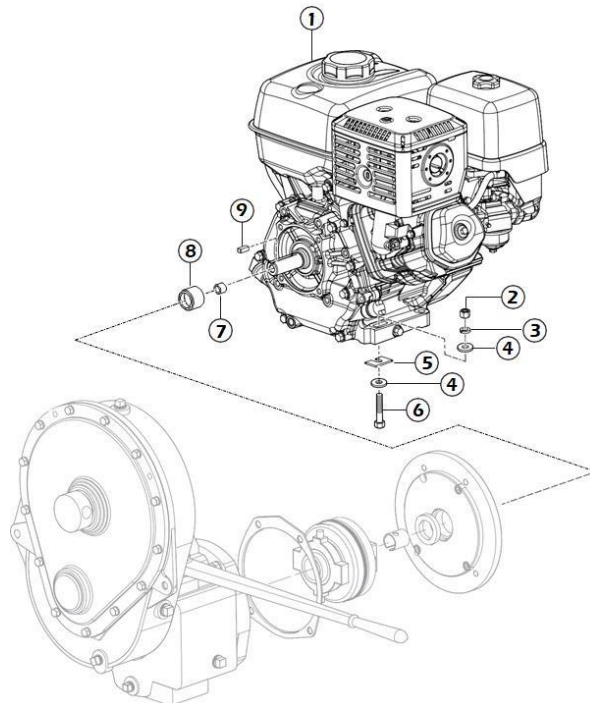


MMG FRAME ASSEY					
#	MANUF. #	PART #	DESCRIPTION ENGLISH	MM12G	LISTPRICE
1G	0220CO01CH	T675	FRAME MM12G 2020 - T675	1	\$1500.00
*	0220CO01CH-1	T675-1	FRAME & DRUM ASSEY MM12G 2020 – (NO ENGINE NOR G.BOX)	1	\$3166.66
2G	CAD3516GAL	T501	5/16 SAFETY CHAIN W/ OVAL SNAPS T501 - 609686 - 701012 - CA03316GAL	1	\$35.00
3G	0000CO03LZ	T118-V	PINTLE HITCH VERTICAL HOLE - 702069 - T118 - C193	1	\$80.00
3G	0000CO04LZ	T119-V	2" BALL HITCH VERTICAL HOLE - 702070 - T119	1	\$80.00
4G	0111SR01LZ	T110	3/6" COTTER PIN CP-85H - SR00036EXT - T110 - 134955	1	\$1.08
5G*	TCFN034GAL	T124	TOWING HITCH, HEX NUT, 3/4 NF - 701028 - T124 - C179 (OBSELETE)	1	\$5.00
5G	TCFN058GAL	T124-1	TOWING HITCH, HEX NUT, 5/8 NF - T124-1 - 701033	1	\$5.00
6G*	RNRX034GAL	T123	TOWING HITCH, SPRING WASHER 3/4" - 174510 - T123 (OBSELETE)	1	\$3.00
6G	RNRX058GAL	T123-1	TOWING HITCH, SPRING WASHER 5/8" - T123-1 - 701032	1	\$3.00
7G*	TOFD034312	T122	TOWING HITCH, HEX HEAD SCREW 3/4" X 3-1/2" - T122 - C148 - 226272 – 701001 (OBSELETE)	1	\$3.00
7G	TOFD058312	T122-1	TOWING HITCH, HEX HEAD SCREW 5/8" X 3-1/2" - T122-1 - 701035	1	\$3.00
8G*	0000CR01LZ	T121	TOWING HITCH, LOCK PIN - T121 - C169 - 496088 – 702078 (OBSELETE)	1	\$10.00
8G	TOFD058312-A	T121-1	TOWING HITCH, LOCK PIN - T121-1 - 701031	1	\$10.00
12G	0200CO01CH	T107	TOWING/DUMPING LOCK PIN - T107	1	\$7.22
14G	TCCN012GAL	T190	HEX LOCK NUT 1/2" - T190 - C178 (WELDED TO THE FRAME)	3	\$0.00
15G	0220FG02AC	T684	ARM, LEVER 6SR-S12S/MM12G (R3) LEVER ARM - T684 - 496049	1	\$17.63
16G	00PE056112	T683	PIN SPR SL STD 5/16 X 1 - 1/2" - 135282 - T683	1	\$1.70
17G	00CHPI2300	T101	3" DRUM PILLOW BLOCK - T101	2	\$25.00
18G	0000GRH045	T102	DRUM BEARING, GREASE FITTING 45 DEG - T102 - 110689	2	\$2.50
19G	TOCD012212	T104	HEX BOLT HD 1/2" X 2-1/2" - T104 - C146 - 226690	4	\$1.25
20G	RNPX012GAL	T105	PLAIN WASHER 1/2" - T105 - C172 - 174470	6	\$2.12
21G	TCCS012GAL	T106	HEX LOCK NUT 1/2" - T106 - 227854 - C304	12	\$1.25
22G	0000RF01CH	T109	TOWING/DUMPING, LOCK PIN SPRING - T109	1	\$8.00
23G	RNPX034GAL	T108	PLAIN WASHER 3/4" X 1-1/2" - 174996 - T108 - 248277	1	\$3.02
27G	0000RF03CH	C165	SET AXLE LEIFS SPRINGS FOR CM - C165	2	\$250.00
28G	0222CO01RD	T381	AXLE MM12G NO HUBS	1	\$250.00
28G	0222CO01RD-1	T381-1	AXLE ASSEMBLY MM12G W/HUBS	1	\$300.00
29G	0200KI03RD	T129-1	WHEEL HUB W/ 1" BRG L44643 & DUST CAP - 702071 - T129 - C135 (NEW STYLE)	2	\$75.00
30G	0000CO01RD	T137	WHEEL & TIRE ASSY 165-80 R13" - T137 - 431081 - C136	2	\$115.00
31G	0000RF10RD	T136-1	HIGH SPEED WHEELS HUB, DUST CAP (NEW STYLE) - T136-1	2	\$8.00

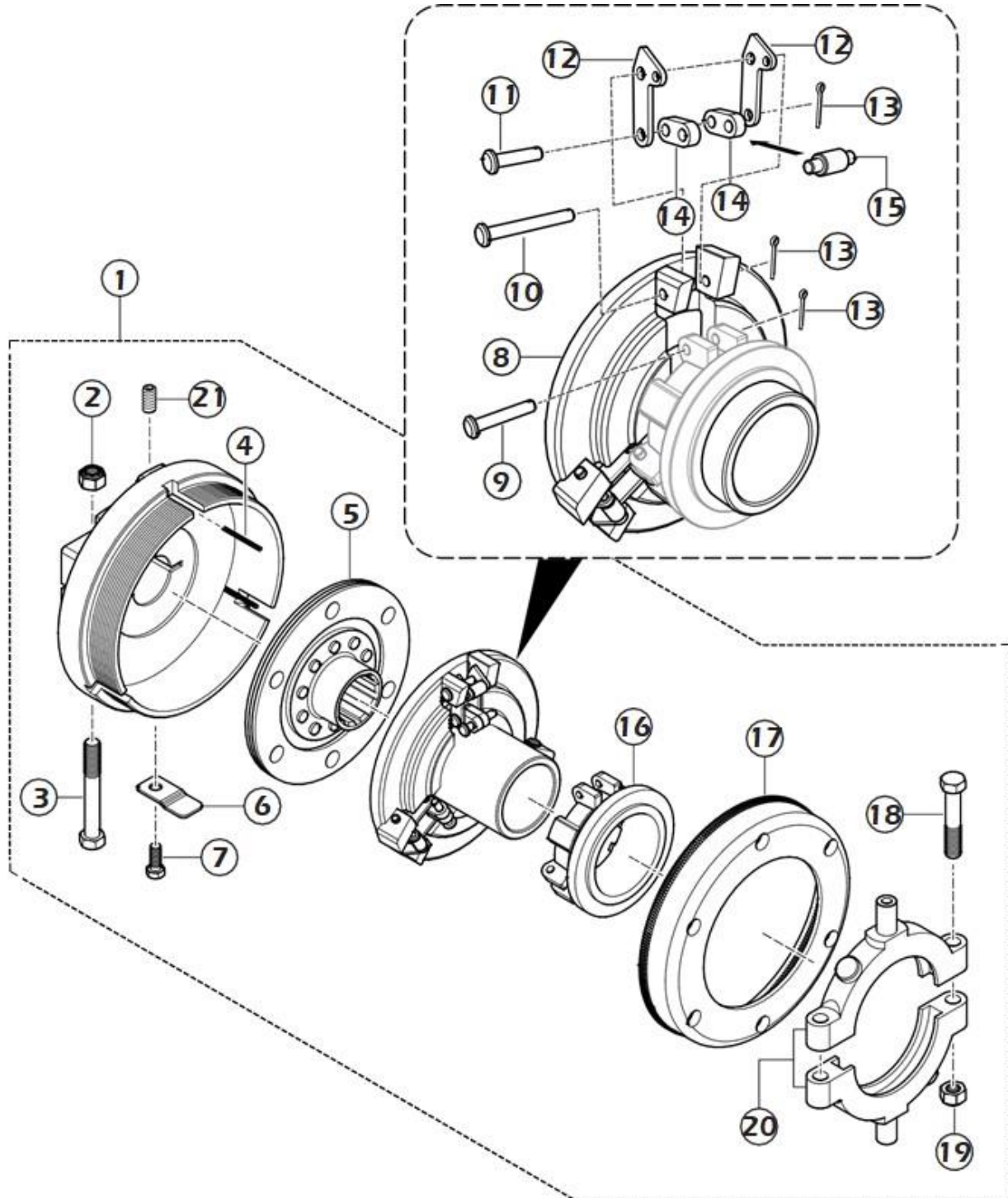
HOOD ASSEMBLY



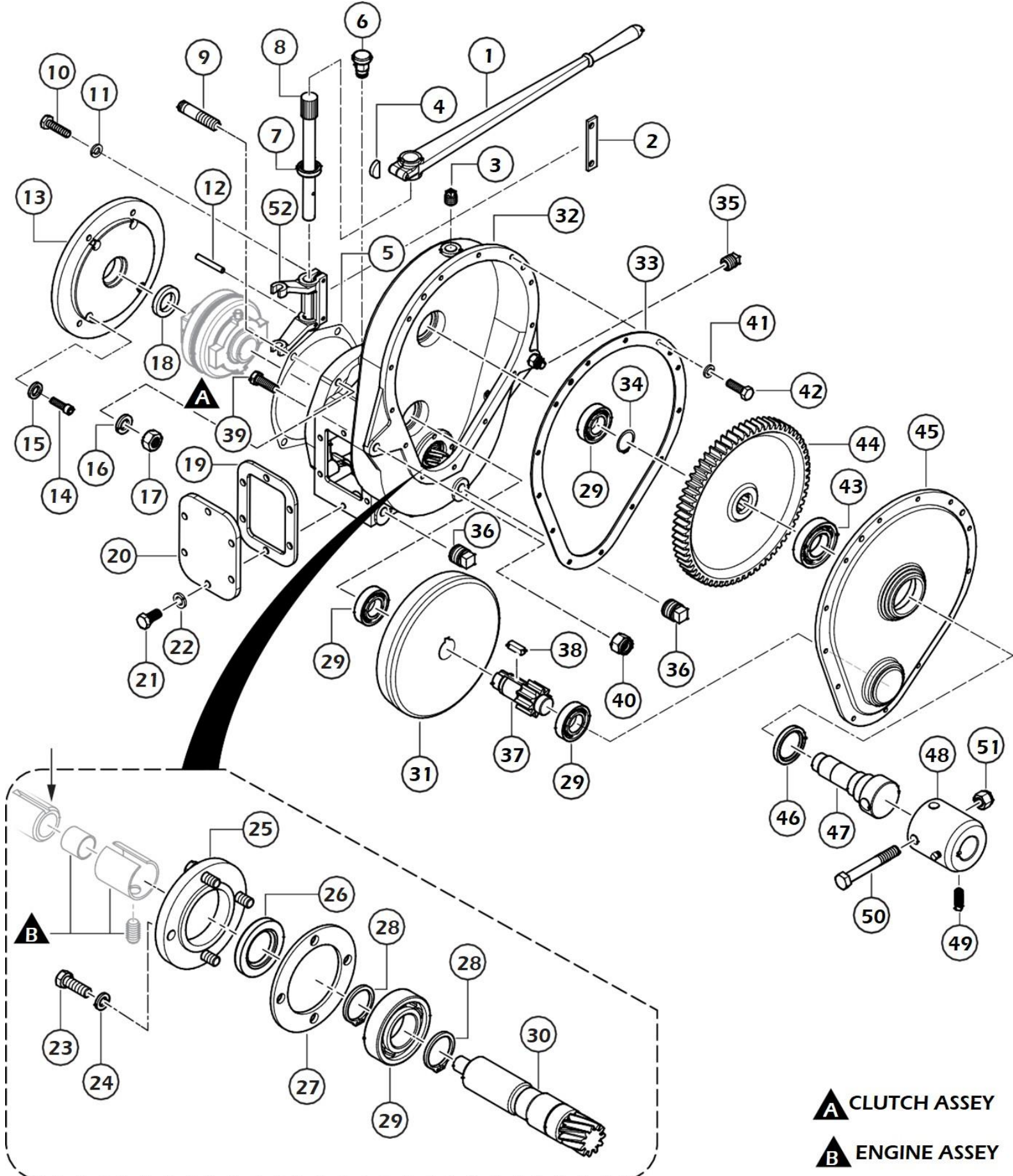
HOOD ASSEMBLY						
#	MANUF. #	PART #	DESCRIPTION	MM12	MM12G	LISTPRICE
1	0000RF01GA	T158	RUBBER SCREW 1/4" FOR SHROUD - T158 - C159 - 201544	2	2	\$3.15
2	0221CO01GA	T601	MM12 SQUARE SHROUD ASSEY (BLACK) - T601 - T157-12	1		\$400.00
2	0220CO01GA	T601G	MM12G SQUARE SHROUD ASSEY (BLACK) - T601G		1	\$400.00
3	0200KI01GA	T193	ENGINE KILL SWITCH ASSEY RED (WITH HARNESS) 701007 - T193	1	1	\$29.00
3	0200KI01GA	T195-1	ENGINE N.O KILL SWITCH RED (NO HARNESS) - 816769AS - 112500 - T195-1 - 290100	1	1	\$18.00
4	0000RF02GA	T160	SHROUD HOOK ASSEMBLY - T160 - C161 - 701004 - 201543	2	2	\$9.00
5	RNPX038GAL	T112	PLAIN WASHER 3/8" - T112 - C139 - 174986 - 701032 - C140	8	8	\$1.08
6	TCCS038GAL	T114	HEX LOCK NUT 3/8" - 227830 - T114 - C142	4	4	\$1.25
7	TOCD038112	T176	HEX BOLT 3/8" X 1-1/2" - T176 - C141 - 226230	4	4	\$1.25
8G	ASK FOR #		ENGINE SHROUD SERVICE LID	N/A	1	\$21.00



ENGINE ASSEY MMG					
#	SKU #	PART #	DESCRIPTION	MM12G	PRICELIST
1G	202018M		ENGINE, HONDA GX390U1QA2 13HP MODIFIED FOR MM12G	1	\$1,100.00
2G	CALL FOR #		NUT, HEX 3/8"	4	\$1.25
3G	CALL FOR #		WASHER, LOCK 3/8" DIA	4	\$1.08
4G	CALL FOR #		WASHER, FLAT 3/8"	8	\$1.08
5G	TK511122		FITTING, ENGINE	2	\$5.00
6G	CALL FOR #		SCREW CAP 3/8"	4	\$3.00
7G	TK801570		BRONZE PILOT BUSHING FOR MM12G ENGINE	1	\$2.50
8G	TK203040		13376 ENGINE SLEEVES FOR MM12G	1	\$34.00
9G	CALL FOR #		KEY, 1/4" X 5/16" X 1"	1	\$1.50



CLUTCH ASSEY MMG					
#	SKU #	PART #	DESCRIPTION	MM12G	PRICELIST
1G	TK934022		MM12G CLUTCH ASSEMBLY	1	\$550.00
2G	CALL FOR #		NUT, NYLOC 5/16-24	1	\$1.25
3G	CALL FOR #		BOLT, 5/16-24 X 1-3/4" HEX	1	\$1.25
4G	TK918009		SPRING, RELEASE	3	\$8.00
5G	TK934041		SPLINDER DRIVEN MEMBER	1	\$110.00
6G	TK934040		LOCK, ADJUSTING	1	\$3.00
7G	CALL FOR #		BOLT HHCS 1/4-20 X 1/2"	1	\$3.00
8G	TK934042		PRESSURE PLATE	1	\$185.00
9G	TK925013		PIN 3/16 X 1-3/8	3	\$9.50
10G	TK925016		PIN 3/15 X1	3	\$3.00
11G	TK925018		PIN 3/16 X 3/4	3	\$3.00
12G	TK959012		CLUTCH LEVER	6	\$15.00
13G	CALL FOR #		COTTER PIN 1/16D X 1/2	9	\$2.00
14G	TK934053		CONNECTING LINK	6	\$53.00
15G	TK934054		CLUTCH ROLLER	3	\$12.00
16G	TK934032		RELEASE SLEEVE	1	\$115.00
17G	TK934045		ADJUSTING RING	1	\$90.00
18G	CALL FOR #		BOLT 5/16-24 X 1-3/4 HEX	2	\$1.25
19G	CALL FOR #		NUT, NYLOC 5/16-24	2	\$1.08
20G	TK934044		RELEASE BEARING ASSEMBLY	1	\$175.00
21G	CALL FOR #		SET SCREW 5/16-18 1/2	1	\$1.25



A CLUTCH ASSEY

B ENGINE ASSEY

TRANSM. ASSEY MM12G					
#	SKU #	PART #	DESCRIPTION	MM12G	PRICELIST
G	TK600000		COMP. TRANSMISSION ASSY	1	\$2,875.00
1G	TK600018		SHIFTER LEVER FOR MM12G	1	\$175.00
2G	TK600024		LOCK PLATE	1	\$13.00
3G	TK922356		GEARBOX CASE BREATHER	1	\$13.00
4G	TK927048		KEY, WOODRUFF (NOT SAME AS EM12)	1	\$2.15
5G	TK801965		GASKET	1	\$12.00
6G	TK511233		BREATHER	1	\$13.00
7G	TK914005		OIL SEAL	1	\$24.00
8G	TK600029		SHIFTER SHAFT	1	\$75.00
9G	TK300999		GEARBOX HOUSING STUD	4	\$10.00
10G	CALL FOR #		HHCS 1/4-20X1	2	\$1.25
11G	CALL FOR #		LOCK, WASHER 1/4	2	\$1.08
12G	1729		ROLL PIN 1729	1	\$1.50
13G	TK203038		ADAPTER PLATE KIT, HONDA	1	\$300.00
14G	CALL FOR #		SCREW, SHCS 3/8-16 X 1-1/4 PLTD	4	\$1.25
15G	CALL FOR #		WASHER, COPPER	4	\$1.50
16G	CALL FOR #		LOCK, WASHER 1/16-14	4	\$1.08
17G	CALL FOR #		HHCS 1/4-14	4	\$1.25
18G	TK13377		OIL SEAL 13377	1	\$24.00
19G	TK600026		SHIFTER COVER GASKET	1	\$7.00
20G	TK931233		COVER PLATE	1	\$30.00
21G	CALL FOR #		HHCS 3/8-16 X 3/4	4	\$1.25
22G	CALL FOR #		LOCK, WASHER 3/8	4	\$1.25
23G	CALL FOR #		HHCS 5/16-18X1	4	\$1.25
24G	CALL FOR #		LOCK, WASHER 5/16	4	\$1.25
25G	TK600023		BEARING RETAINER	1	\$75.00
26G	TK914209		OIL SEAL	1	\$16.00
27G	TK600022		GASKET, RETAINER	1	\$2.60
28G	CALL FOR #		SNAP RING	2	\$5.00
29G	TK902091		BALL BEARING	4	\$23.00
30G	TK600016		INPUT SHAFT	1	\$75.00
31G	TK600020		INTERNAL GEAR	1	\$125.00
32G	TK600012		TRANSMISSION HOUSING	1	\$315.00
33G	TK600021		TRANSM. GASKET COVER	1	\$10.00
34G	TK926036		SNAP RING	1	\$5.00
35G	TK511064		SQUARE HEAD PLUG 1/2"	1	\$24.00
36G	TK911329		SQUARE PIPE PLUG 3/8"	2	\$12.00
37G	TK600131		OUTPUT DRIVE PINION	1	\$90.00
38G	TK010062		SQUARE KEY 3/8" X 3/8"	1	\$1.50
39G	CALL FOR #		HHCS 1/2-13 X 1-1/2	1	\$1.25
40G	CALL FOR #		1/2-13 NYLOC NUT	1	\$1.08
41G	CALL FOR #		LOCK, WASHER 5/16	17	\$1.08
42G	TK0202		HHCS 5/16-18 X 1	17	\$1.08
43G	TK902161		BALL BEARING	1	\$38.00
44G	TK600133		OUTPUT SHAFT GEAR	1	\$400.00
45G	TK600014		TRANSMISSION COVER	1	\$115.00
46G	TK914207		OIL SEAL	1	\$13.00
47G	TK600015		OUTPUT SHAFT	1	\$135.00
48G	TK200255		PADDLE SHAFT CONNECTOR FOR TK MM12G (NOT SAME AS EM12)	1	\$75.00
49G	TK961019		SQUARE HHS 3/8 X 1-1/4	2	\$3.00
50G	TK963157		BOLT, 5/8 G5 ONLY (SHEAR PIN)	1	\$3.00
51G	TK969085		NUT, NYLOC 5/8	1	\$1.08
52G	TK600028		CLUTCH YOKE	1	\$135.00

Octavio Chavez
North America Sales Manager

manager@tkequip.com
www.tkequip.com

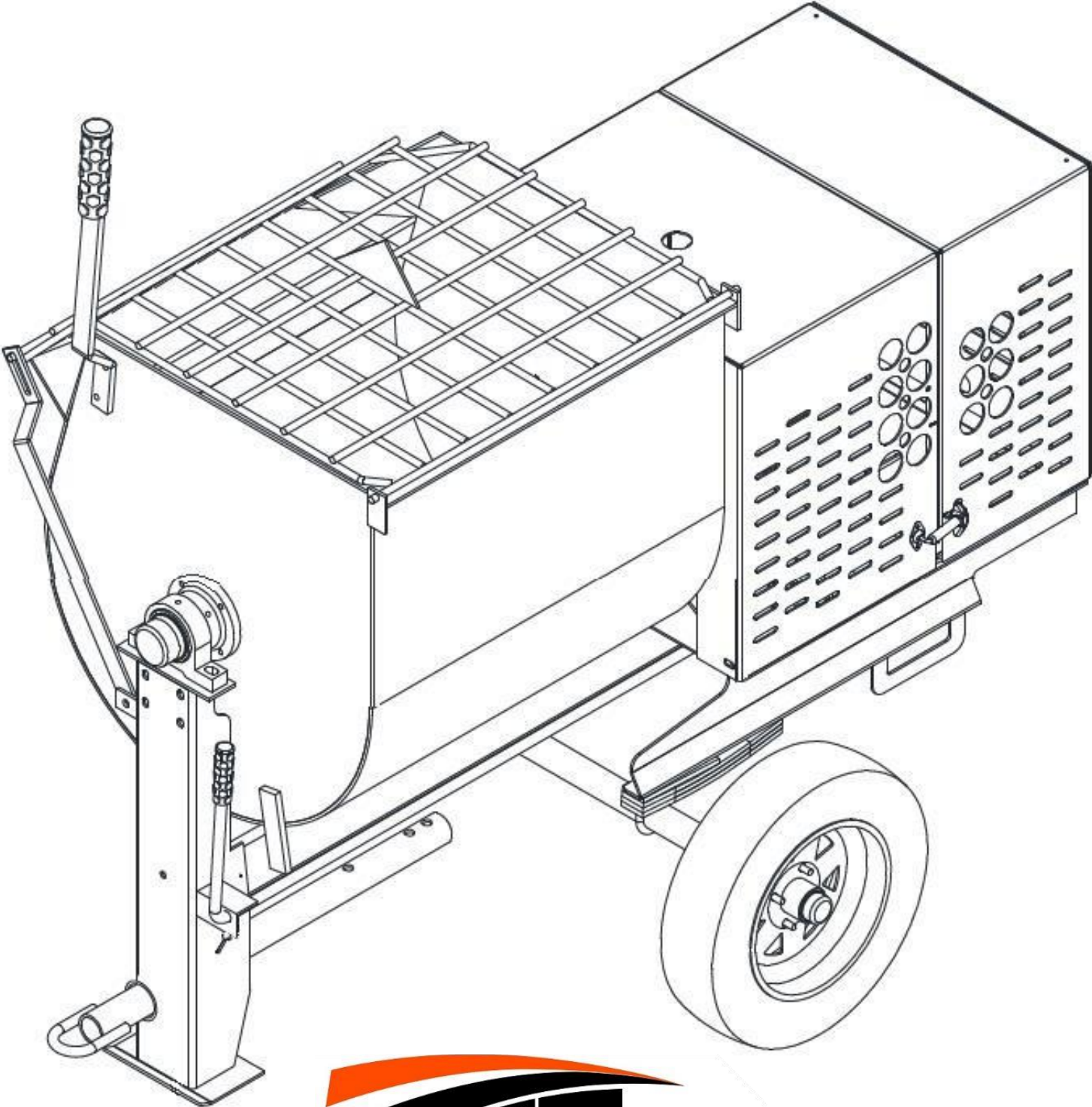


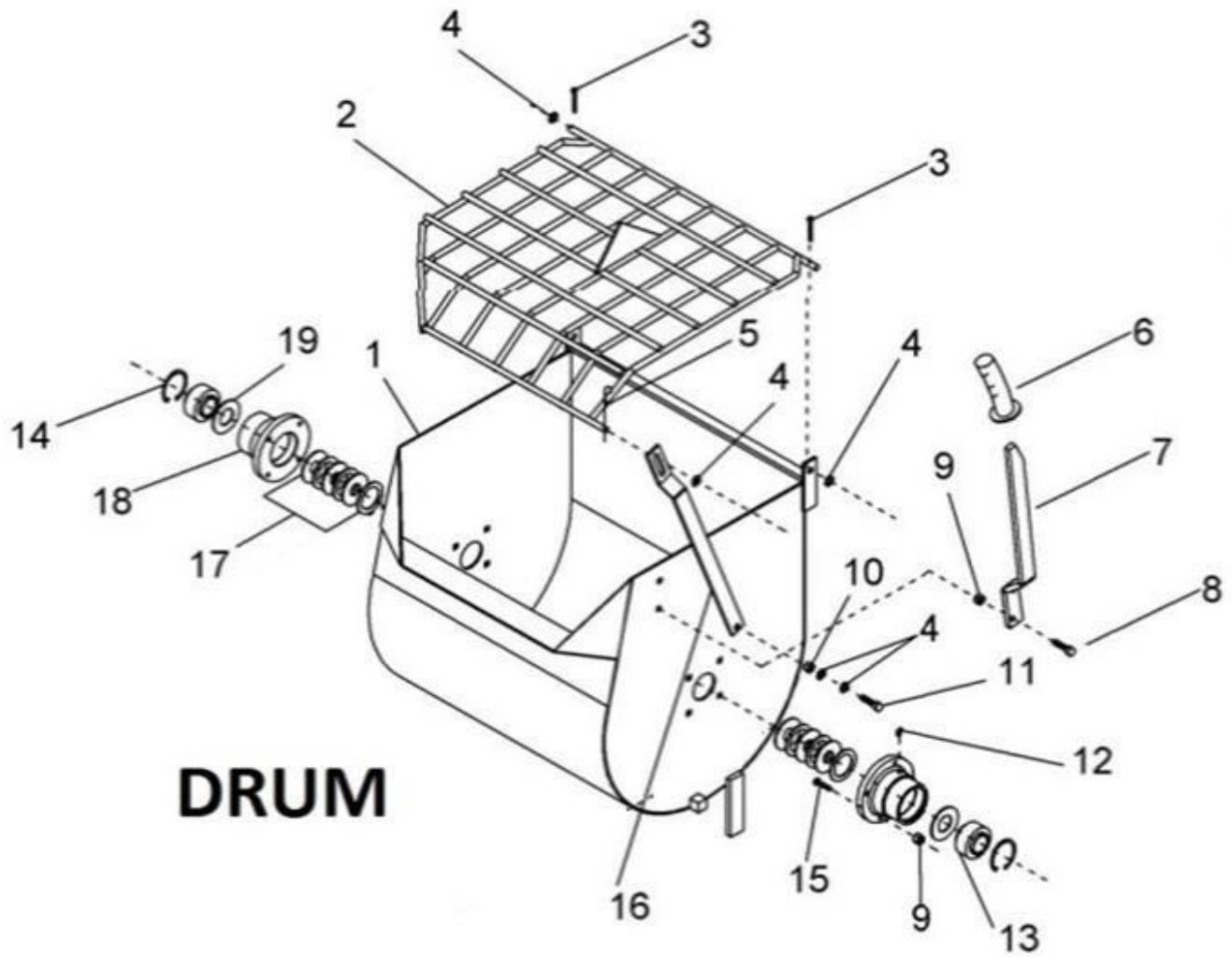
Jaime Ortiz
Office: (956) 796-9411

Fax: (956) 462 2500

Parts & Customer Service
parts@btmequipment.com
service@btmequipment.com

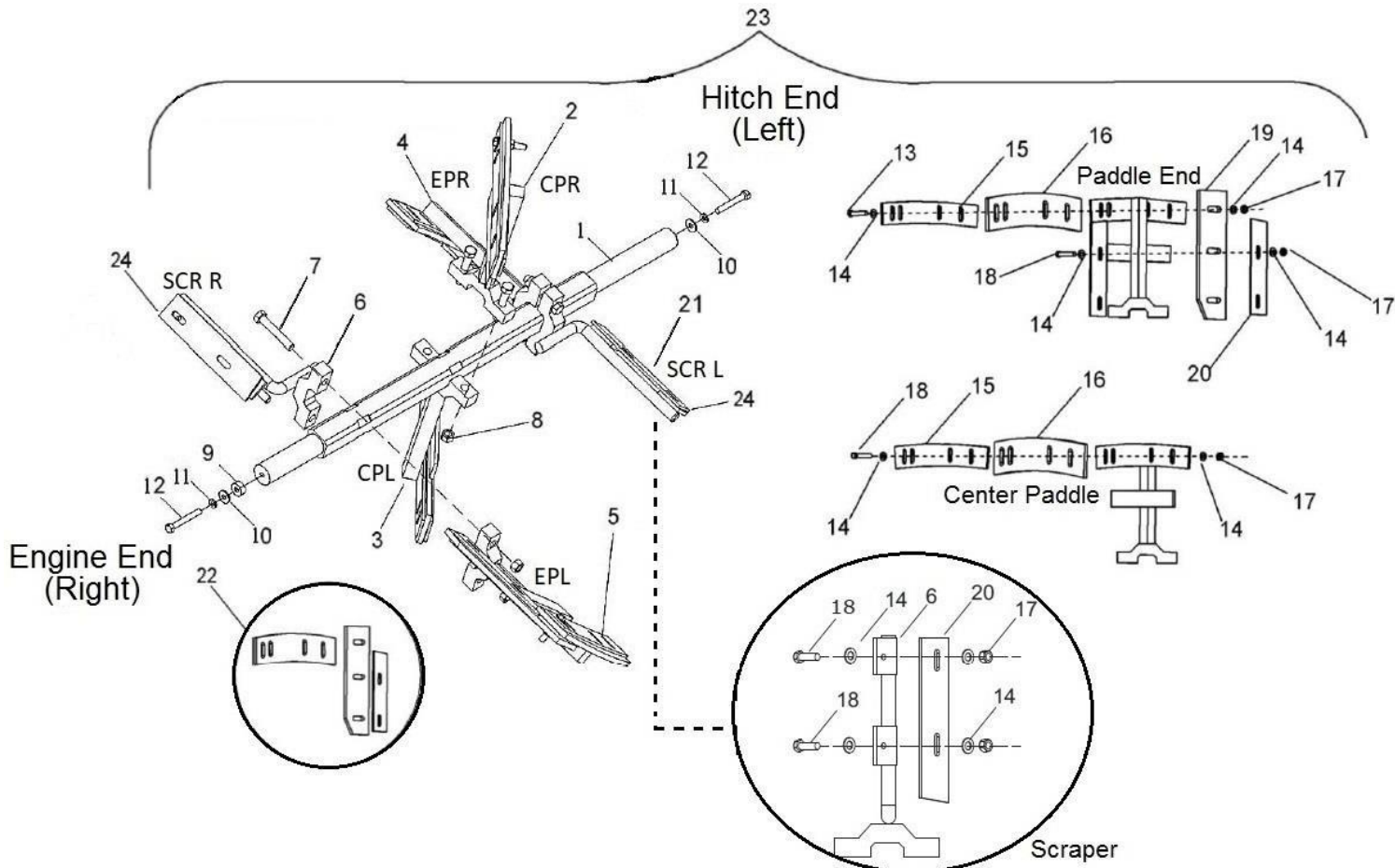
MM12G 2018 PARTS BREAKDOWN (LIST PRICE)





DRUM

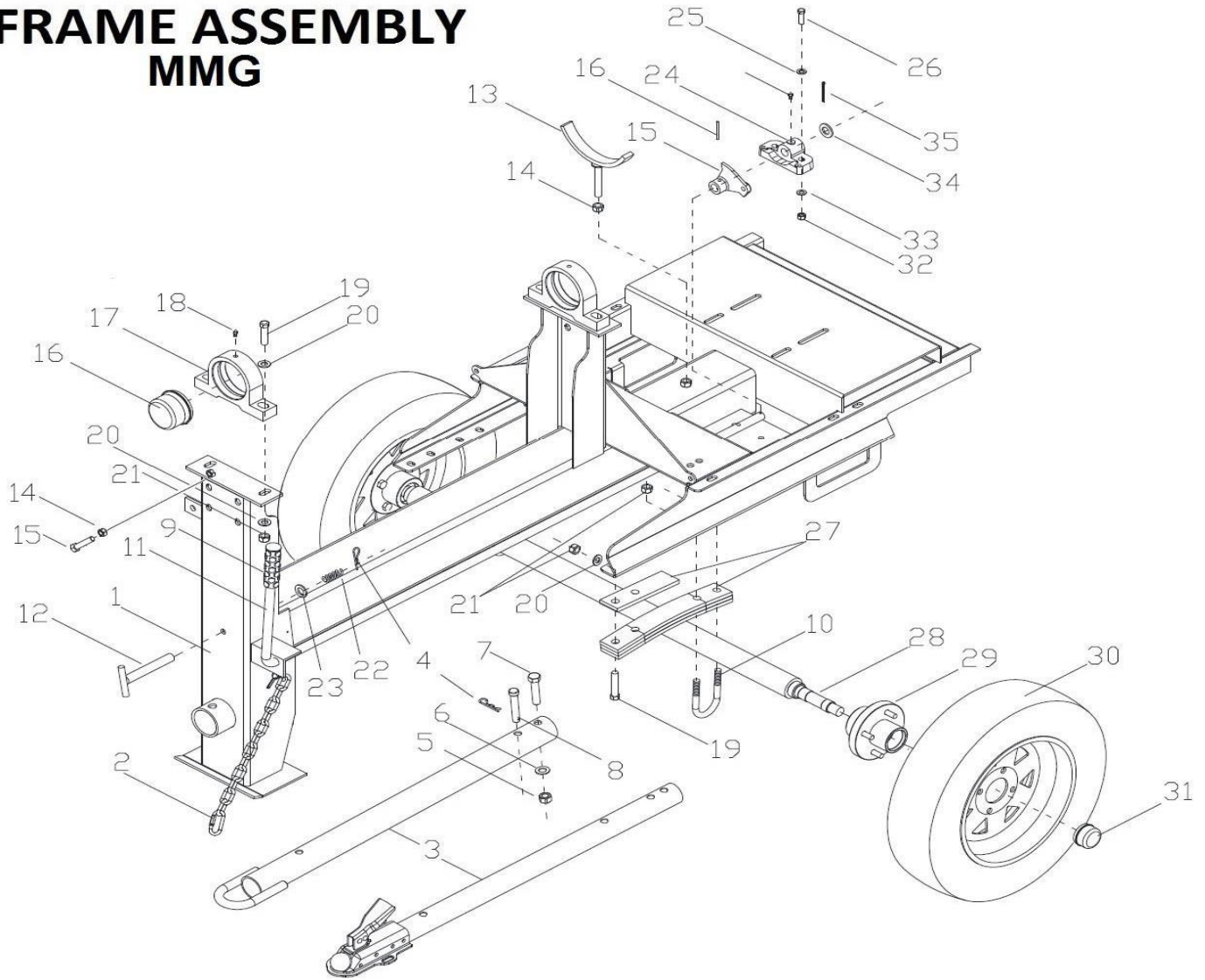
DRUM ASSEMBLY BREAK DOWN						
ITEM	SKU #	PART #	DESCRIPTION	MM12	MM12G	PRICELIST
*	0204KI02TQ	T502	DRUM MM12/MM12G - T502 (OLD)	1	1	\$750.00
*	0204KI01TQ	T502-1	DRUM ASSEY COMPLETE MM12 - T502-1 (OLD)	1		\$1,580.00
1	0204CO01TQ	T602	DRUM MM12/MM12G 32-1/2" - T602 (NEW)	1	1	\$1,000.00
1	0204KI01EF	T602-1	DRUM ASSEY COMPLETE MM12/MM12G 32-1/2" - T602-1 (NEW)	1		\$1,750.00
1		T602-G	DRUM ASSEY COMPLETE MM12G 32-1/2" - T602-G (NEW)		1	\$1,850.00
2	0204CO01RJ	T603	DRUM GRID W/ BAG CUTTER MM12/MM12G - T603	1	1	\$198.00
3	CHA 316 2	T111	GRID PIN COTTER, 3/16" X 2" - SC3116200GAL - T111	2	2	\$1.08
4	RNPX012GAL	T105	PLAIN WASHER 1/2" - T105	5	5	\$2.12
5	0111SR01LZ	T110	GRID/HITCH HAIR LOCK PIN 3/16" - T110	3	3	\$1.08
*6	0000RF01RJ	T166	CONTROL & DUMPING HANDLE GRIPS - 139350 - T166 (ROUND)	1	1	\$10.00
6	0000RF01RJ-1	T166-1	DRUM DUMPING HANDLE GRIP - 139350 - T166-1 (FLAT)	1	1	\$10.00
7	0200CO01TQ	T168	DRUM DUMPING HANDLE W/ GRIP - T168	1	1	\$19.00
8	TOCD038112	T176	HEX BOLT 3/8" X 1-1/2" - T176 - C141 - 226230	2	2	\$1.25
9	TCCS038GAL	T114	HEX LOCK NUT 3/8" - 227830 - T114 - C142	10	10	\$1.25
10	TCCS012GAL	T106	HEX LOCK NUT 1/2" - T106 - 227854 - C304	1	1	\$1.25
11	TOCD012134	T189	HEX BOLT HD 1/2" X 1 3/4" - T189 - 226660	1	1	\$3.00
12	0000GRH045	T102	DRUM BEARING, GREASE FITTING 45 DEG - T102 - 110689	2	2	\$2.50
13	0000BA20824	T175	BALL BEARING, 1746208-108 - 110450 - T175 (W/O GRS FITTING)	2	2	\$30.00
14	SM00300INT	T177	DRUM TRUNNION RETAINING RING 3" - T177	2	2	\$6.47
15	TOCL038112	T174	CARRIAGE BOLT 3/8" X 1-1/2" GR2 ZP - 117771 - 117771 - T174	8	8	\$1.25
16	0204SO01RJ	T589	MM12 DRUM DUMPING LOCK BAR - T589	1	1	\$15.00
17	0200KI01TN	T172	DRUM HUB SEALS KIT (ONE END) - T172	2	2	\$25.00
18	0200CO01TN	T173-2	TRUNNION 4 HOLES FOR 3/8" SCREWS - T173-2	1	1	\$65.00
19	0200LA01TN	T169	DRUM HUB STEEL SPACER - T169	2	2	\$2.50



PADDLE ASSEMBLY						
ITEM	SKU #	PART #	DESCRIPTION	MM12	MM12G	LISTPRICE
1	0203CR01CH	T404	SQUARE MAIN SHAFT 1-3/4" X 43-5/8" - MM10/MM12 - T404	1	N/A	\$150.00
1	0220CR01FC	T654	SQUARE MAIN SHAFT MM12G 1-3/4" X ##-##/## MM12G - T654		1	\$160.00
2	0204CO01AS-1	T606-2	PADDLE CENTER RIGHT MM12 - MM12G (1" GRIP) - T606-2	1	1	\$80.00
3	0204CO02AS-1	T408-2	CENTER PADDLE LEFT MM12 - MM12G (1" GRIP) - T408-2	1	1	\$80.00
4	0204CO04AS-1	T614-2	HITCH END, END PADDLE RIGHT ARM MM12 - MM12G (1" GRIP) T614-2	1	1	\$100.00
5	0204CO03AS-1	T609-2	ENGINE END, END PADDLE LEFT ARM MM12 - MM12G (1" GRIP) T609-2	1	1	\$100.00
6	0202CO02RP	T600	ENGINE END, END SCRAPER LEFT MM12 (1" GRIP) - T600	1	1	\$45.00
7	TOCD012312	N/A	HEX BOLT HD 1/2 X 3-1/2 (1" GRIP PADDLES) - 120520 - 226745	6*	6*	\$4.24
8	TCCS012GAL	T106	HEX LOCK NUT 1/2" - T106 - 227854 - C304	6	6	\$1.25
9	0200TU01FC	T413	MAIN SHAFT BUSHING - T413	1	N/A	\$15.00
10	0200PL01FC	T152	MM PADDLE SHAFT PLAIN WASHER 3/16" - T152 - T162	2	N/A	\$3.00
11	RNRX038GAL	T113	LOCK WASHER 3/8 T113 - C144 - 176230	2	N/A	\$1.08
12	TOFD038100	T116	HEX BOLT 3/8 X 1 NF - 226210 - T116	2	N/A	\$1.25
13	TOCD038200	T145	HEX BOLT HD, GR5 3/8" X 2" - 226250 - T145- C158	4	4	\$1.25
14	RNPX038GAL	T112	PLAIN WASHER 3/8" - T112 - C139 - 174986 - 701032 - C140	40	40	\$1.08
15	0201RF01AS	T180	CENTER PADDLE RUBBER BLADE MM6-MM12 - T186 - T307 - T312	4	4	\$10.00
16	0200SO01AS	T181	CENTER PADDLE STEEL BLADE MM6 - MM12 - T181 - T187 - T313	4	4	\$12.35
17	TCCS038GAL	T114	HEX LOCK NUT 3/8" - 227830 - T114 - C142	20	20	\$1.25
18	TOCD038112	T176	HEX BOLT 3/8" X 1-1/2" - T176 - C141 - 226230	18	18	\$1.25
19	0200RF02AS	T310	END PADDLE SIDE RUBBER BLADE MM8/MM10/HM12/HM16 - T310	2	2	\$10.00
20	0200SO02AS	T311	END PADDLE SIDE STEEL BLADE MM80/MM12 - T311	2	2	\$10.00
21	0202CO01RP	T598	HITCH END, END SCRAPER RIGHT MM12/MM12G (1" GRIP) - T598	1	1	\$45.00
22	0200KI03AS	T301	RUBBER BLADE KIT MM8-MM12-HM12	1	1	\$65.00

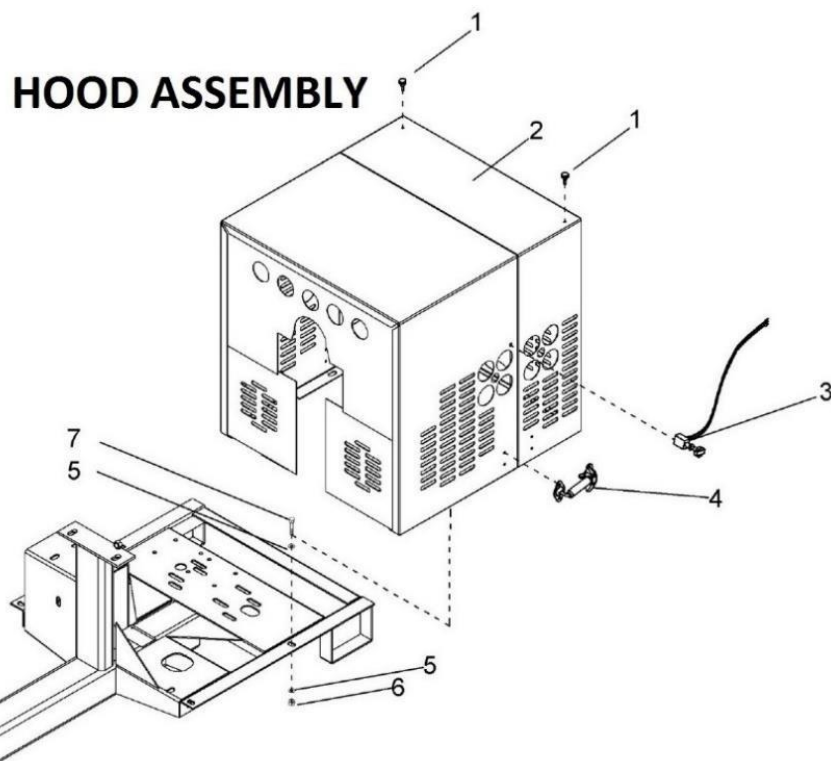
COMPLETE PADDLE/RUBBER KITS						
#	SKU #	PART #	DESCRIPTION	MM12	MM12G	PRICELIST
23	0204KI01AS-1	T606-3	COMPLETE PADDLE SET MM12 - MM12G (1" GRIP) - T606-3	1	1	\$600.00
*	0204KI01AS	T606-1	COMPLETE PADDLE SET MM12 (3/8" GRIP) - T606-1	1	1	\$600.00
24		496242	LEFT AND RIGHT & STEEL PLATE SCRAPERS MM12 - MM12G	2	2	\$15.57
*	0204KI01ES	T206-3	MM12S SPIRAL BLADE KIT - T206-3	1	1	\$425.00

FRAME ASSEMBLY MMG



MMG FRAME ASSEY						
#	MANUF. #	PART #	DESCRIPTION ENGLISH	MM12	MM12G	LISTPRICE
1G	0220CO01CH	T675	FRAME MM12G - T675	N/A	1	\$1500.00
2G	CAD3516GAL	T501	5/16 SAFETY CHAIN W/ OVAL SNAPS T501 - 609686 - 701012 - CA03316GAL	N/A	1	\$35.00
3G	0000CO03LZ	T118-V	PINTLE HITCH VERTICAL HOLE - 702069 - T118 - C193	N/A	1	\$80.00
3G	0000CO04LZ	T119-V	2" BALL HITCH VERTICAL HOLE - 702070 - T119	N/A	1	\$80.00
4G	0111SR01LZ	T110	3/6" COTTER PIN CP-85H - SR00036EXT - T110 - 134955	N/A	1	\$1.08
5G	TCFN034GAL	T124	TOWING HITCH HEX NUT, 3/4 NF - 701028 - T124 - C179	N/A	1	\$5.00
6G	RNRX034GAL	T123	SPRING WASHER 3/4" - 174510 - T123 - RNRX034GAL (HITCH)	N/A	1	\$3.00
7G	TOFD034312	T122	TOWING HITCH HEX HEAD SCREW 3/4" X 3-1/2" - T122 - C148 - 226272 - 701001	N/A	1	\$3.00
8G	0000CR01LZ	T121	TOWING HITCH, LOCK PIN - T121 - C169 - 496088 - 702078	N/A	1	\$10.00
9G	0000RF01RJ	T166	CONTROL & DUMPING HANDLE GRIPS - 139350 - T166 (ROUND)	N/A	1	\$10.00
10G	0170CO02CH	C166	CM/HM AXLE U-CLAMP C166 - 0900CR02RD - 702059	N/A	2	\$15.00
11G	0200CO01CU	T117	CONTROL HANDLE LEVER MM6/MM8/MM12G - T177	N/A	1	\$58.00
12G	0200CO01CH	T107	TOWING/DUMPING LOCK PIN - T107	N/A	1	\$7.22
13G	0220CO02CH	T685	GBOX AXLE U-BOLT - T685	N/A	2	\$28.00
14G	TCCN012GAL	T190	HEX LOCK NUT 1/2" - T190 - C178 (WELDED TO THE FRAME)	N/A	3	\$0.00
15G	0220FG02AC	T684	ARM, LEVER 6SR-S125/MM12G (R3) LEVER ARM - T684 - 496049	N/A	1	\$17.63
16G	00PE056112	T683	PIN SPR SL STD 5/16 X 1 - 1/2" - 135282 - T683	N/A	1	\$1.70

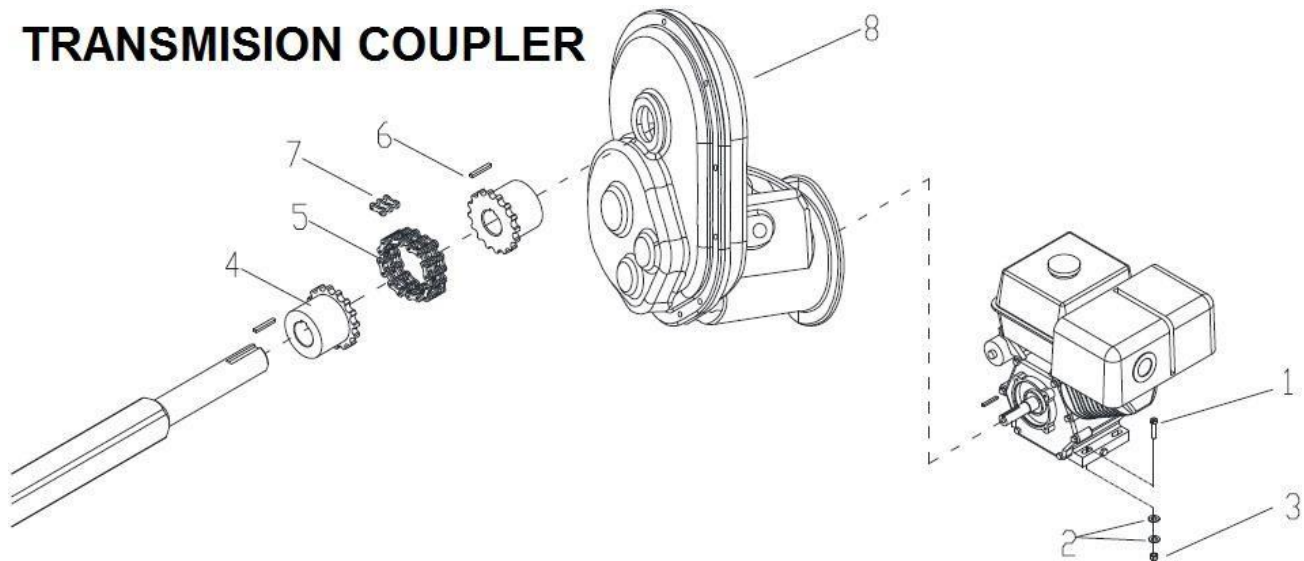
17G	00CHPI2300	T101	3" DRUM PILLOW BLOCK - T101	N/A	2	\$25.00
18G	0000GRH045	T102	DRUM BEARING, GREASE FITTING 45 DEG - T102 - 110689	N/A	2	\$2.50
19G	TOCD012212	T104	HEX BOLT HD 1/2" X 2-1/2" - T104 - C146 - 226690	N/A	4	\$1.25
20G	RNPX012GAL	T105	PLAIN WASHER 1/2" - T105 - C172 - 174470	N/A	6	\$2.12
21G	TCCS012GAL	T106	HEX LOCK NUT 1/2" - T106 - 227854 - C304	N/A	12	\$1.25
22G	0000RF01CH	T109	TOWING/DUMPING, LOCK PIN SPRING - T109	N/A	1	\$8.00
23G	RNPX034GAL	T108	PLAIN WASHER 3/4" X 1-1/2 - 174996 - T108 - 248277	N/A	1	\$3.02
24G	0220FG01AC	T682	BRACKET, LEVER 6SR-12S/MM12G (R2) - 496048 - T682	N/A	1	\$45.79
25G	RNPX038GAL	T112	PLAIN WASHER 3/8" - T112 - C139 - 174986 - 701032 - C140	N/A	4	\$1.08
26G	TOCD038200	T145	HEX BOLT HD, GR5 3/8" X 2" - 226250 - T145 - C158	N/A	2	\$1.25
27G	0000RF01CH	C-163	TOWING/DUMPING, LOCK PIN SPRING - T109	N/A	2	\$8.00
28G	0222CO01RD	T381	AXLE MM12G NO HUBS	N/A	1	\$250.00
28G	0222CO01RD-1	T381-1	AXLE ASSEMBLY MM12G W/HUBS	N/A	1	\$300.00
29G	0200KI03RD	T129-1	WHEEL HUB W/ 1" BRG L44643 & DUST CAP - 702071 - T129 - C135 (NEW STYLE)	N/A	2	\$75.00
30G	0000CO01RD	T137	WHEEL & TIRE ASSY 165-80 R13" - T137 - 431081 - C136	N/A	2	\$115.00
31G	0000RF10RD	T136-1	HIGH SPEED WHEELS HUB, DUST CAP (NEW STYLE) - T136-1	N/A	2	\$8.00
32G	TCCS038GAL	T114	HEX LOCK NUT 3/8" - 227830 - T114 - C142	N/A	2	\$1.25
33G	RNRX038GAL	T113	LOCK WASHER 3/8 T113 - C144 - 176230	N/A	4	\$1.08
34G	RNPX034GAL	T108	PLAIN WASHER 3/4" X 1-1/2 - 174996 - T108 - 248277	N/A	1	\$3.02
35G	SC18112NOR	T135	PIN COTTER, 1/8 X 1-1/2 - 135810 - 135790 - T135	N/A	3	\$1.08



HOOD ASSEMBLY						
#	MANUF. #	PART #	DESCRIPTION	MM12	MM12G	LISTPRICE
1	0000RF01GA	T158	RUBBER SCREW 1/4" FOR SHROUD - T158 - C159 - 201544	2	2	\$3.15
2	0221CO01GA	T601	MM12 SQUARE SHROUD ASSEY (BLACK) - T601 - T157-12	1		\$400.00
2	0220CO01GA	T601G	MM12G SQUARE SHROUD ASSEY (BLACK) - T601G		1	\$400.00
3	0200KI01GA	T193	ENGINE KILL SWITCH ASSEY RED (WITH HARNESS) 701007 - T193	1	1	\$29.00
3	0200KI01GA	T195-1	ENGINE N.O KILL SWITCH RED (NO HARNESS) - 816769AS - 112500 - T195-1 - 290100	1	1	\$18.00
4	0000RF02GA	T160	SHROUD HOOK ASSEMBLY - T160 - C161 - 701004 - 201543	2	2	\$9.00
5	RNPX038GAL	T112	PLAIN WASHER 3/8" - T112 - C139 - 174986 - 701032 - C140	8	8	\$1.08
6	TCCS038GAL	T114	HEX LOCK NUT 3/8" - 227830 - T114 - C142	4	4	\$1.25
7	TOCD038112	T176	HEX BOLT 3/8" X 1-1/2" - T176 - C141 - 226230	4	4	\$1.25
8G	ASK FOR #		ENGINE SHROUD LID ACCESS	N/A	1	\$21.00

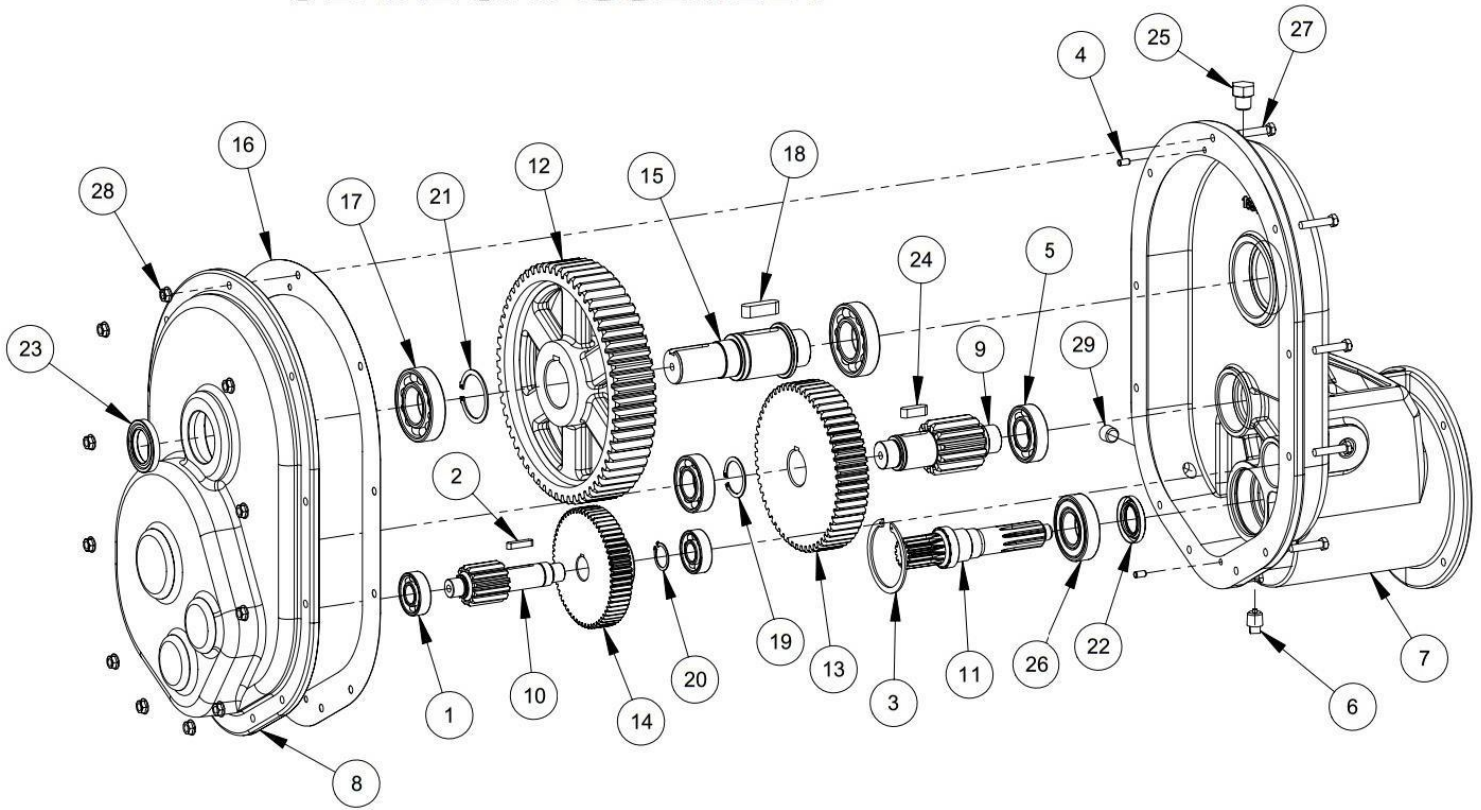
ENGINE ASSEMBLY BREAK DOWN						
#	SKU #	PART #	DESCRIPTION	MM12	MM12G	PRICELIST
1	202013M	N/A	ENGINE HONDA 13 HP GX340 WITH 6:1 REDUCER	1	N/A	\$1188.00
1	202012M	N/A	ENGINE HONDA 13 HP GX340	N/A	1	\$973.00
3	TOCD038200	C158	HEX BOLT HD, GR5 3/8" X 2" – 226250 – T145- C158	4	4	\$1.25
4	TCCS038GAL	C142	HEX LOCK NUT 3/8 » – 227830 – T114 – C142	4	4	\$1.25
5	RNPX038GAL	C139	PLAIN WASHER 3/8" – T112 – C139 – 174986 – 701032 – C140	8	8	\$1.08
11	0200CU02TR	T147	ENGINE KEY ¼ FOR 8HP & 13HP – T147 – 0405CC01CO	1	1	\$1.27

TRANSMISION COUPLER



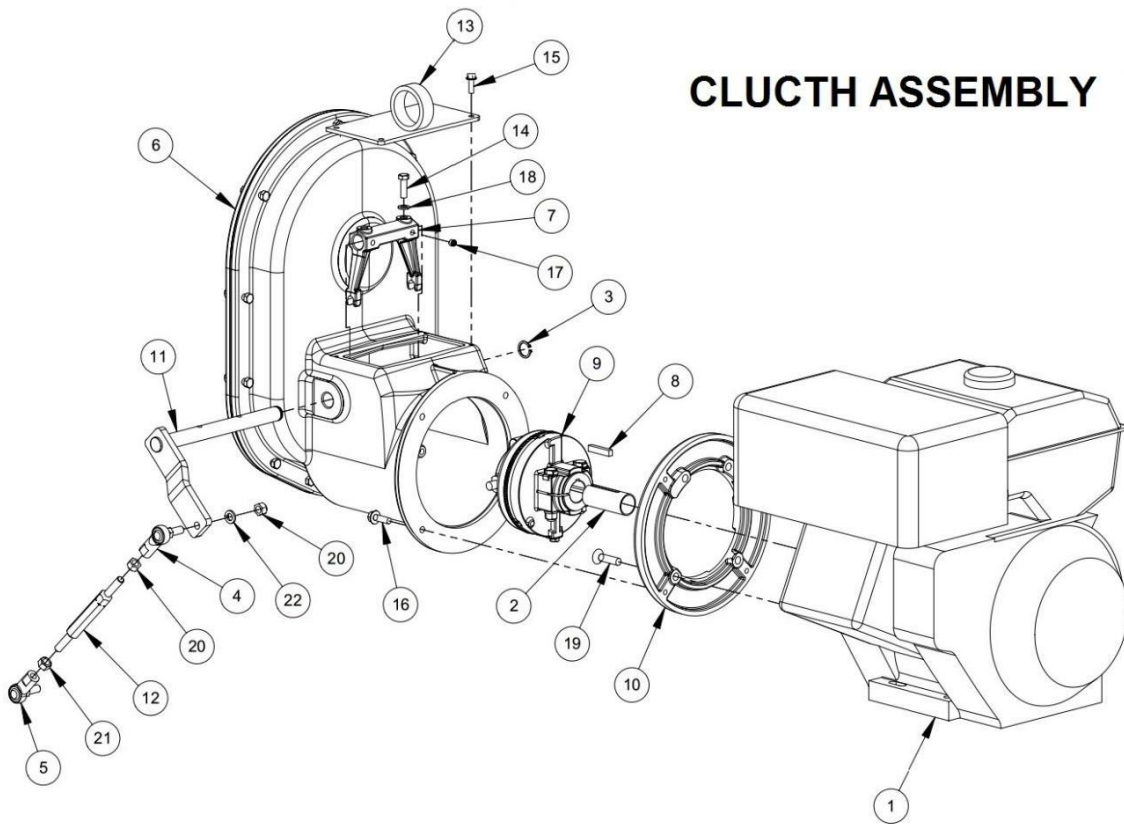
TRANSM. ASSEY MMG (2018)					
#	SKU #	PART #	DESCRIPTION	MM12G	LISTPRICE
1G	TOCD038200	T145	HEX BOLT HD, GR5 3/8" X 2" – 226250 – T145- C158	4	\$1.25
2G	RNPX038GAL	T112	PLAIN WASHER 3/8" – T112 – C139 – 174986 – 701032 – C140	8	\$1.08
3G	TCCS038GAL	T114	HEX LOCK NUT 3/8 » – 227830 – T114 – C142	4	\$1.25
4G	0220RF01BX	T706	MM12G SPROCKET COUPLER – T706	2	\$108.00
5G	0220RF02BX	T707	MM12G CHAIN COUPLER WITH MASTER LINK – T707	1	\$70.00
6G	0220CC2BX	T708	KEY, 3/8" X 1-5/8" – T708	2	\$1.25
7G	0220RF02BX-1	T707-1	MM12G COUPLER CHAIN 50-2, 5/8" CONNECT LINK 50-2R CL – T707-1	1	\$3.08
8G	MM12GBOX	ASK FOR #	COMPLETE GEARBOX	1	\$3,132.00

GEARBOX ASSEMBLY



GEARBOX ASSEY (2018)					
#	SKU #	PART #	DESCRIPTION	MM12G	LISTPRICE
1G	ASK FOR #	1105	BALL BEARING	2	\$9.50
2G	ASK FOR #	1283	KEY, 1/4" SQUARE x 1-1/4" LONG	1	\$9.49
3G	ASK FOR #	6266	RETAINING RING, INTERNAL	1	\$8.19
4G	ASK FOR #	7203	DOWEL PIN	2	\$1.02
5G	ASK FOR #	16021	BALL BEARING 6202	2	\$27.70
6G	ASK FOR #	16166	DRAIN PLUG, MAGNETIC	1	\$11.25
7G	ASK FOR #	16966	GEARCASE	1	\$798.14
8G	ASK FOR #	16967	GEARCASE COVER	1	\$370.71
9G	ASK FOR #	16976	PINION SHAFT, 2"	1	\$213.78
10G	ASK FOR #	16977	PINION SHAFT, 1-1/2"	1	\$211.02
11G	ASK FOR #	16978	INPUT SHAFT	1	\$376.36
12G	ASK FOR #	16979	GEAR, 10"	1	\$335.11
13G	ASK FOR #	16980	GEAR, 7"	1	\$449.78
14G	ASK FOR #	16981	GEAR, 5"	1	\$288.39
15G	ASK FOR #	16982	OUTPUT SHAFT	1	\$200.23
16G	ASK FOR #	17173	GASKET	1	\$13.62
17G	ASK FOR #	17174	BALL BEARING - 6208	2	\$33.73
18G	ASK FOR #	17175	KEY, 1/2" SQUARE x 1-3/4" LONG	1	\$13.24
19G	ASK FOR #	17176	RETAINING RING, EXTERNAL	1	\$1.34
20G	ASK FOR #	17177	RETAINING RING, EXTERNAL	1	\$1.87
21G	ASK FOR #	17178	RETAINING RING, EXTERNAL	1	\$2.26
22G	ASK FOR #	17179	SEAL, INPUT SHAFT	1	\$26.13
23G	ASK FOR #	17180	SEAL, OUTPUT SHAFT	1	\$30.98
24G	ASK FOR #	17213	KEY, 3/8" SQUARE x 1-1/4" LONG	1	\$3.84
25G	ASK FOR #	17218	BREATHER PLUG	1	\$90.62
26G	ASK FOR #	17349	BALL BEARING, SEALED 6207-2RS	1	\$24.16
27G	ASK FOR #	F051812HCS	HEX HEAD CAP SCREW, 5/16-18 x 1-1/2"	11	\$3.05
28G	ASK FOR #	F0518FN	FLANGE NUT, 5/16-18	11	\$1.73
29G	ASK FOR #	F0618SPP	CHECK PLUG	1	\$5.34

CLUTCH ASSEMBLY



CLUTCH ASSEY MMG (2018)

#	SKU #	PART #	DESCRIPTION	MM12G	LISTPRICE
1G	202012M	T508	ENG. HON, 13HP, GX390K1QA6	1	\$975.00
2G	0220TU01BX	T688	BUSHING, HONDA GX340 PTO – T688	1	\$87.28
3G	SM00116EXT	T705	RETAINING RING EXTERNAL 11/16" – T705	1	\$1.93
4G	0220CO03BX	T703	BALL JOINT – T703	1	\$50.50
5G	0220CO04BX	T704	BALL JOINT LEFT HAND – T704	1	\$23.46
6G	0220CO02BX	T702	GEARBOX SHELL – T702	1	\$1,200.00
7G	0220CO01BX	T701	CLUTCH YOKE – T701	1	\$148.18
8G	0220CC01BX	T700	KEY, ¼" X 5/16" X 1-1/2" LONG – T700	1	\$4.81
9G	0220CU01BX	T699	CLUTCH – T699	1	\$1,329.56
10G	0220LA01CH	T698	ADAPTER, HONDA ENGINE – T698	1	\$205.55
11G	0220TU02BX	T697	LEVER, CLUTCH YOKE – T697	1	\$129.32
12G	0220CR01BX	T696	LINKAGE ROD – T696	1	\$46.90
13G	0220TU03BX	T695	CLUTCH COVER – T695	1	\$96.97
14G	TOCY056100	T694	BOLT, HEXHD, 5/16" X 1" GR8 – T694	2	\$1.68
15G	TOCV014034	T692	FLANGE BOLT, ¼"-20 X ¾" – T692	4	\$1.82
16G	TOCV056100	T693	FLANGE BOLT, 5/16"-18 X 1" – T693	4	\$3.05
17G	OPCR056014	T691	SET SCREW, 5/16"-24 X ¼" – T691	2	\$2.32
18G	RNRX056GAL	T198	SPRING WASHER, 5/16" – T198	2	\$1.14
19G	TOCT038114	T690	FLAT HEAD SCREW, 3/8"-16 X 1-1/4" – T690	4	\$3.08
20G	TCCN038GAL	T410	HEX NUT, 3/8" – T410	2	\$1.06
21G	TCCI038GAL	T689	HEX NUT, 3/8" LEFT HAND – T689	1	\$3.08
22G	RNRX012GAL	T112	SPING WASHER ½" – C145 – 176250 – T568 – T112	1	\$1.08

Octavio Chavez
North America Sales Manager

manager@tkequip.com
www.tkequip.com



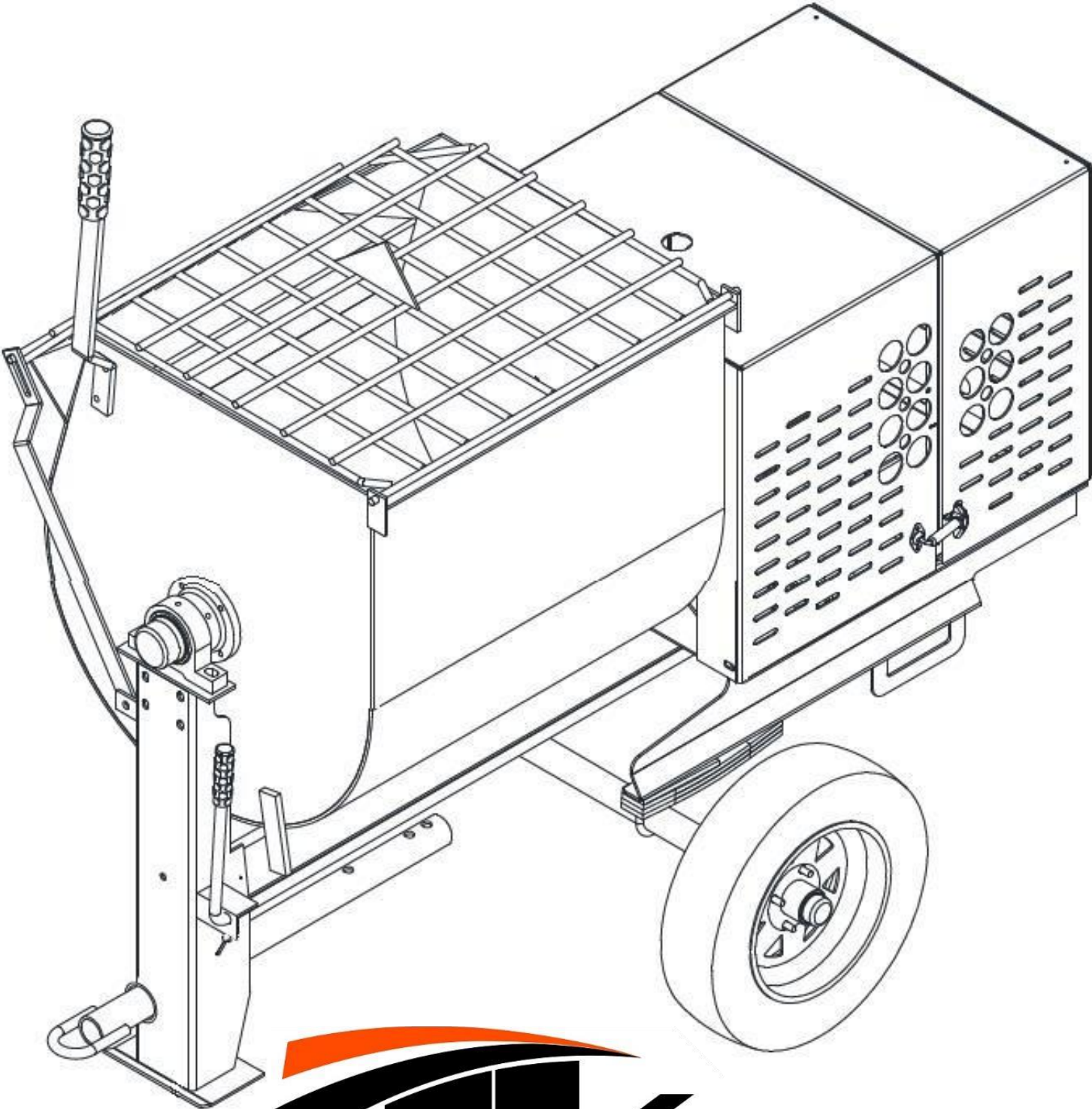
Jaime Ortiz
Office: (956) 796-9411

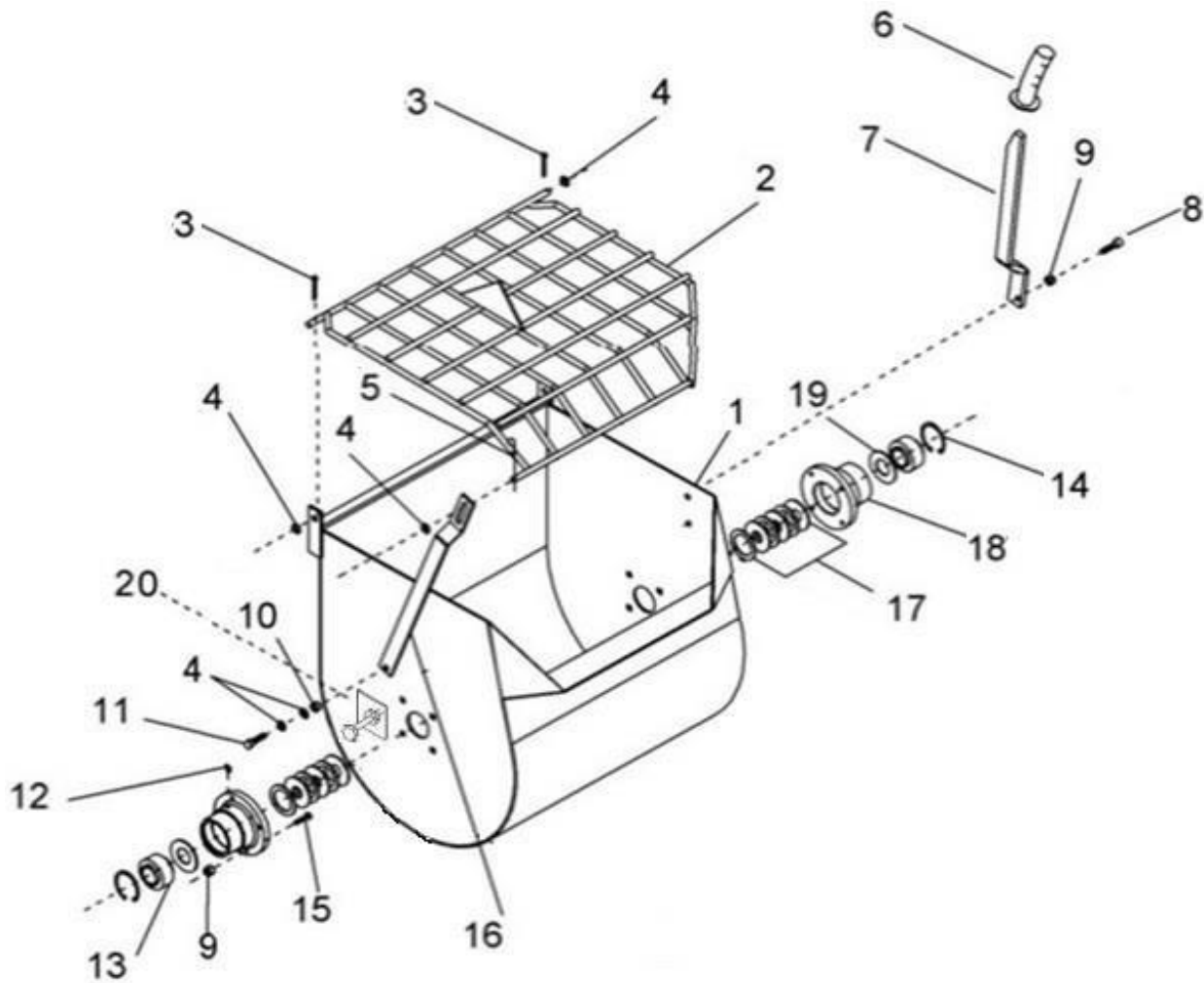
Fax: (956) 462 2500

Parts & Customer Service
parts@btmequipment.com
service@btmequipment.com

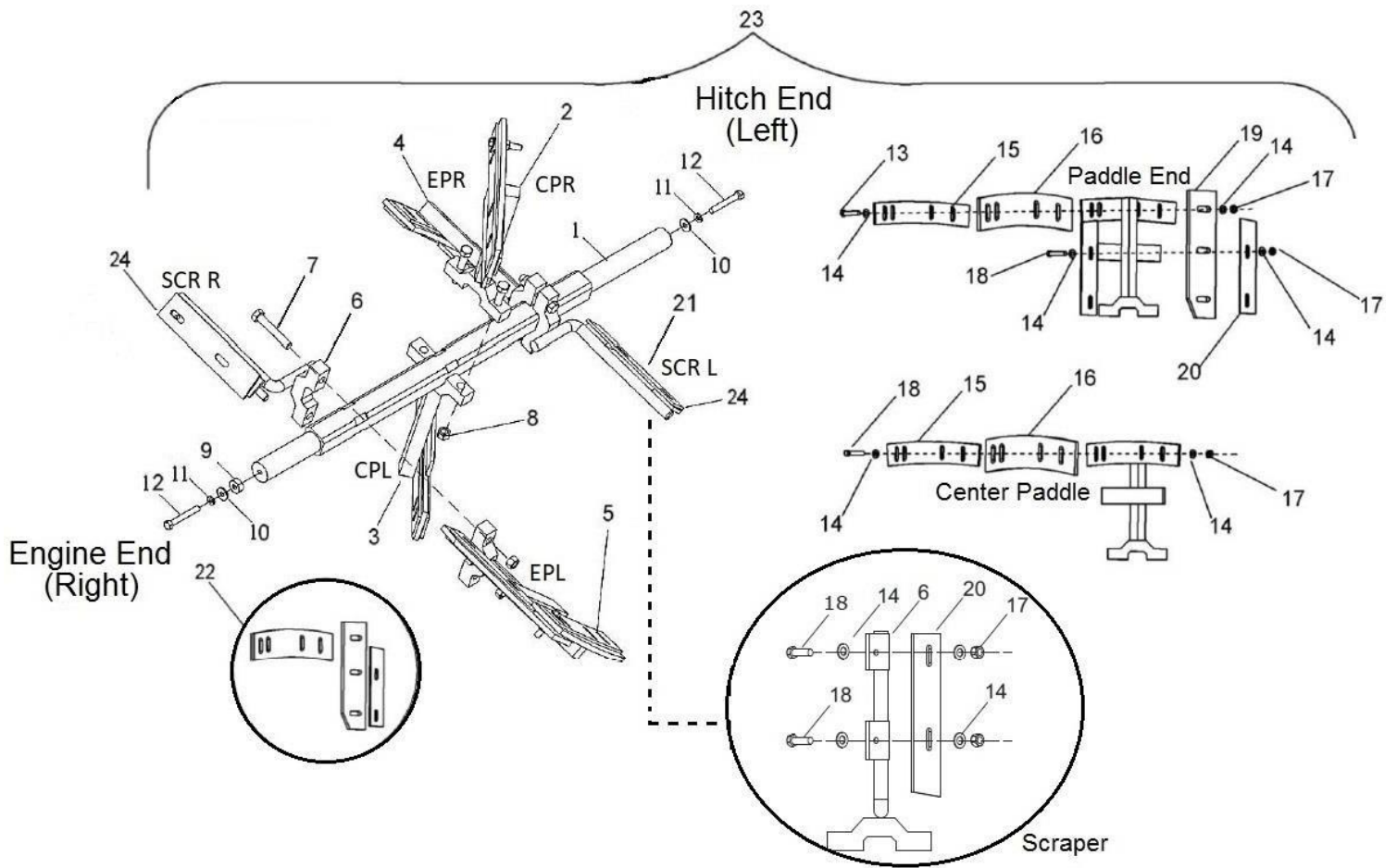
HM12 – HM16

PARTS BREAKDOWN (LIST PRICE)





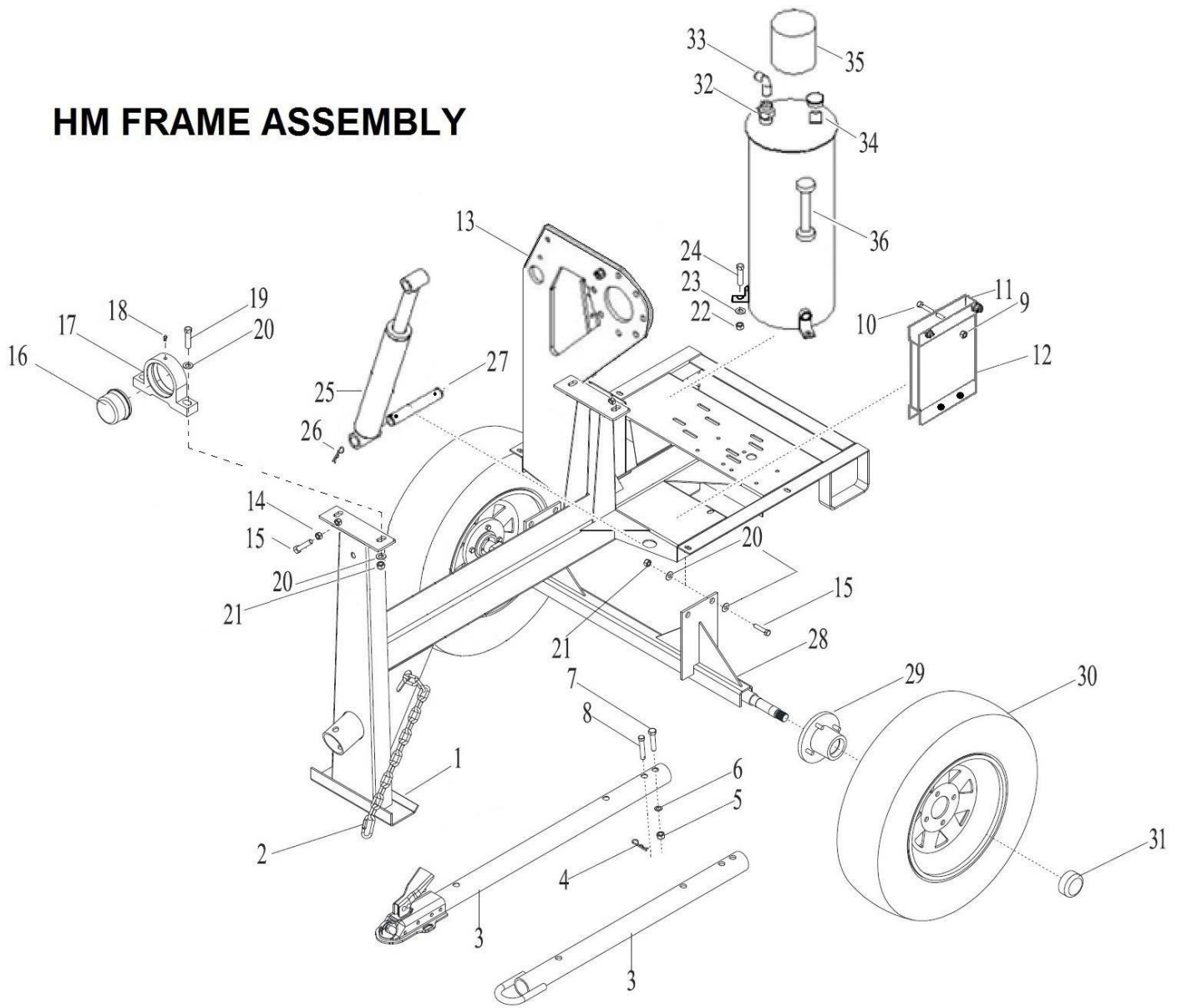
DRUM ASSEY BREAK DOWN						
ITEM	SKU #	PART #	DESCRIPTION	HM12	HM16	PRICELIST
*	0224CO01EF	T365	DRUM HM12 -T365 (OLD)	1		\$1,300.00
1	0224CO01TQ	T711	DRUM HM12 40" - T711 (NEW)	1		\$1,200.00
*	0222CO01EF	T366	DRUM HM16 - T366 (OLD)		1	\$1,250.00
1	0222CO01TQ	T811	DRUM HM16 43" - T811 (NEW)		1	\$1,250.00
*	0224KI01EF	T710	DRUM ASSEMBLY COMPLETE HM12 - T710 (OLD)	1		\$1,300.00
1	0224KI01TQ	T700	DRUM ASSEMBLY COMPLETE HM12 40" - T700 (NEW)	1		\$1,800.00
*	0222KI01EF	T810	DRUM ASSEMBLY COMPLETE HM16 - T810 (OLD)		1	\$2,000.00
1	0222KI01TQ	T800	DRUM ASSEMBLY COMPLETE HM16 43" - T800 (NEW)		1	\$1,800.00
2	ASK FOR #	T605	DRUM GRID W/ BAG CUTTER HM12 - T605	1	1	\$215.00
3	CHA 316 2	T111	GRID PIN COTTER, 3/16" X 2" - SC3116200GAL - T111	2	2	\$1.08
4	RNPX012GAL	T105	PLAIN WASHER 1/2" - T105	5	5	\$2.12
5	0111SR01LZ	T110	GRID/HITCH HAIR LOCK PIN 3/16" - T110	3	3	\$1.08
6	0000RF01RJ-1	T166-1	DRUM DUMPING HANDLE GRIP - 139350 - T166-1 (FLAT)	1	1	\$10.00
7	0200CO01TQ	T168	DRUM DUMPING HANDLE W/ GRIP - T168	1	1	\$19.00
8	TOCD038112	T176	HEX BOLT 3/8" X 1-1/2" - T176 - C141 - 226230	2	2	\$1.25
9	TCCS038GAL	T114	HEX LOCK NUT 3/8" - 227830 - T114 - C142	8	8	\$1.25
10	TCCS012GAL	T106	HEX LOCK NUT 1/2" - T106 - 227854 - C304	1	1	\$1.25
11	TOCD012134	T189	HEX BOLT HD 1/2" X 1 3/4" - T189 - 226660	1	1	\$3.00
12	0000GRH045	T102	DRUM BEARING, GREASE FITTING 45 DEG - T102 - 110689	2	2	\$2.50
13	0000BA20824	T175	BALL BEARING, 1746208-108 - 110450 - T175 (W/O GRS FITTING)	2	2	\$30.00
14	SM00300INT	T177	DRUM TRUNNION RETAINING RING 3" - T177	2	2	\$6.47
15	TOCL038112	T174	CARRIAGE BOLT 3/8" X 1-1/2" GR2 ZP - 117771 - 117771 - T174	8	8	\$1.25
16	0204SO01RJ	T589	MM12 DRUM DUMPING LOCK BAR - T589	1	1	\$15.00
17	0200KI01TN	T172	DRUM HUB SEALS KIT (ONE END) - T172	2	2	\$25.00
18	0200CO01TN	T173-2	TRUNNION 4 HOLES FOR 3/8" SCREWS - T173-2	1	1	\$65.00
19	0200LA01TN	T169	DRUM HUB STEEL SPACER - T169	2	2	\$2.50
20	TOCD100412	N/A	HEX BOLT HD, 1 X 4-1/2" W/ WELD SUPPORT FOR HYD PISTON	1	1	\$8.00



PADDLE ASSEMBLY				HM12	HM16	LISTPRICE	DEALER
ITEM	SKU #	PART #	DESCRIPTION				
1	0222CC01CH	T741	SQUARE MAIN SHAFT 1-3/4" X 47-5/8" HM12 - HM16 (NEW DESIGN) - T741	1	1	\$160.00	\$96.00
2	0200CO01AS-1	T306-2	CENTER PADDLE RIGHT ARM MM8/MM10/HM12/HM16 (1" GRIP) - T306-2	1	1	\$70.00	\$42.00
3	0200CO02AS-1	T308-2	CENTER PADDLE LEFT ARM MM8/MM10/HM12/HM16 (1" GRIP) - T308-2	1	1	\$70.00	\$42.00
4	0200CO03AS-1	T314-2	HITCH END, END PADDLE RIGHT ARM MM8/MM10/HM12/HM16 (1" GRIP) - T314-2	1	1	\$90.00	\$54.00
5	0200SO03AS-1	T309-2	ENGINE END, END PADDLE LEFT ARM MM8/MM10/HM12/HM16 (1" GRIP) - T309-2	1	1	\$90.00	\$54.00
6	0222CO01SR	T713	ENGINE END, END SCRAPER LEFT HM12 - HM16 (1" GRIP) - T713	1	1	\$45.00	\$27.00
7	TOCD012312	N/A	HEX BOLT HD 1/2 X 3-1/2 (1" GRIP PADDLES) - 120520 - 226745	6*	6*	\$4.24	\$2.54
8	TCCS012GAL	T106	HEX LOCK NUT 1/2" - T106 - 227854 - C304	6	6	\$1.25	\$0.75
9	0200TU01FC	T413	MAIN SHAFT BUSHING - T413	1	1	\$15.00	\$9.00
13	TOCD038200	T145	HEX BOLT HD, GR5 3/8" X 2" - 226250 - T145 - C158	4	4	\$1.25	\$0.75
14	RNPX038GAL	T112	PLAIN WASHER 3/8" - T112 - C139 - 174986 - 701032 - C140	40	40	\$1.08	\$0.65
15	0201RF01AS	T180	CENTER PADDLE RUBBER BLADE MM6-MM12 - T186 - T307 - T312	4	4	\$10.00	\$6.00
16	0200SO01AS	T181	CENTER PADDLE STEEL BLADE MM6 - MM12 - T181 - T187 - T313	4	4	\$12.35	\$7.41
17	TCCS038GAL	T114	HEX LOCK NUT 3/8" - 227830 - T114 - C142	20	20	\$1.25	\$0.75
18	TOCD038112	T176	HEX BOLT 3/8" X 1-1/2" - T176 - C141 - 226230	18	18	\$1.25	\$0.75
19	0200RF02AS	T310	END PADDLE SIDE RUBBER BLADE MM8/MM10/HM12/HM16 - T310	2	2	\$10.00	\$6.00
20	0200SO02AS	T311	END PADDLE SIDE STEEL BLADE MM80/MM12 - T311	2	2	\$10.00	\$6.00
21	0222CO02SR	T714	HITCH END, END SCRAPER RIGHT HM12/HM16 (1" GRIP) - T714	1	1	\$45.00	\$27.00
22	0200KI03AS	T301	RUBBER BLADE KIT MM8-MM12-HM12	1	1	\$65.00	\$39.00

COMPLETE PADDLE/RUBBER KITS				HM12	HM16	PRICELIST
#	SKU #	PART #	DESCRIPTION			
23	0200KI01AS-H12	T306-H12	COMPLETE PADDLE SET HM12 - HM16 (T306-1 + SCRAPERS) (1" GRIP) - T306-H12	1	1	\$600.00
*	0205KI01ES	T742	HM12S SPIRAL BLADE KIT - T742	1		\$500.00
*	0206KI01ES	T761	HM16S SPIRAL BLADE KIT - T761		1	\$500.00

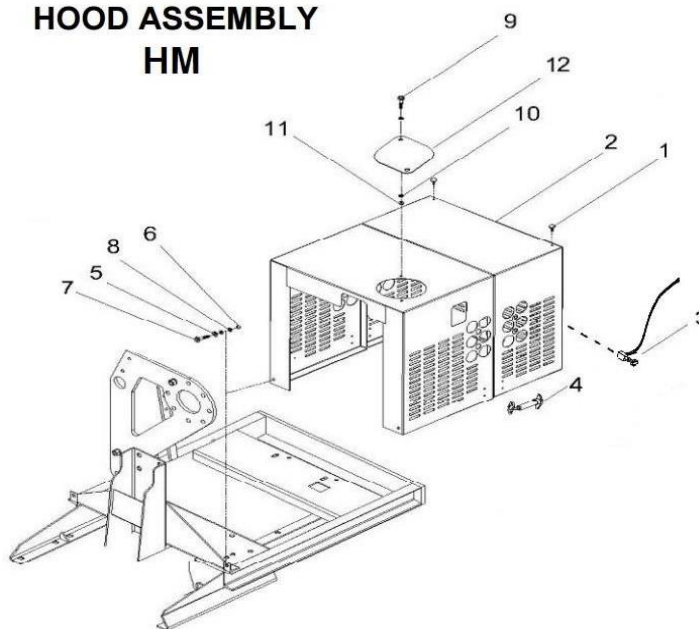
HM FRAME ASSEMBLY



HM FRAME ASSEY						
#	SKU #	PART #	DESCRIPTION ENGLISH	HM12	HM16	LISTPRICE
1H	ASK FOR #	T707H	FRAME HM12 - T707	1		\$1850.00
1H	ASK FOR #	T707-H16	FRAME HM16 - T707-1		1	\$1900.00
2H	CAD3516GAL	T501	5/16 SAFETY CHAIN W/ OVAL SNAPS T501 - 609686 - 701012 - CA03316GAL	1	1	\$35.00
3H	0000CO03LZ	T118-V	PINTLE HITCH VERTICAL HOLE - 702069 - T118 - C193	1	1	\$80.00
3H	0000CO04LZ	T119-V	2" BALL HITCH VERTICAL HOLE - 702070 - T119	1	1	\$80.00
3H	0219CO01LZ	T119-BD	BULLDOG HITCH T119-BD (VERTICAL HOLE) - T119-BD	1	1	\$100.00
4H	0111SR01LZ	T110	3/6" COTTER PIN CP-85H - SR00036EXT - T110 - 134955	1	1	\$1.08
5G*	TCFN034GAL	T124	TOWING HITCH, HEX NUT, 3/4 NF - 701028 - T124 - C179 (OBSOLETE)	1	1	\$5.00
5G	TCFN058GAL	T124-1	TOWING HITCH, HEX NUT, 5/8 NF - T124-1 - 701033	1	1	\$5.00
6G*	RNRX034GAL	T123	TOWING HITCH, SPRING WASHER 3/4" - 174510 - T123 (OBSOLETE)	1	1	\$3.00
6G	RNRX058GAL	T123-1	TOWING HITCH, SPRING WASHER 5/8" - T123-1 - 701032	1	1	\$3.00
7G*	TOFD034312	T122	TOWING HITCH, HEX HEAD SCREW 3/4" X 3-1/2" - T122 - (OBSOLETE)	1	1	\$3.00
7G	TOFD058312	T122-1	TOWING HITCH, HEX HEAD SCREW 5/8" X 3-1/2" - T122-1 - 701035	1	1	\$3.00
8G*	0000CR01LZ	T121	TOWING HITCH, LOCK PIN - T121 - C169 - 496088 - 702078 (OBSOLETE)	1	1	\$10.00
8G	TOFD058312-A	T121-1	TOWING HITCH, LOCK PIN - T121-1 - 701031	1	1	\$10.00
9H	TCCS056GAL	T148	HEX LOCK NUT 5/16" - T148 - 227821	2	2	\$1.25
10H	TOCD056300	T201	HEX BOLT HD 5/16" X 3" - 701009 - T201	2	2	\$1.08
11H	ASK FOR #	412167	SPACER, 6PR-8P/HM12-HM16	4	4	\$1.48
12H	ASK FOR #	412902	HYDRAULIC OIL COOLER 4FZ0801C-7.5 X 7.5	1	1	\$233.20
13H	ASK FOR #	412810	ARM, REACTION 12SH-5165H/HM12-HM16	1	1	\$84.40

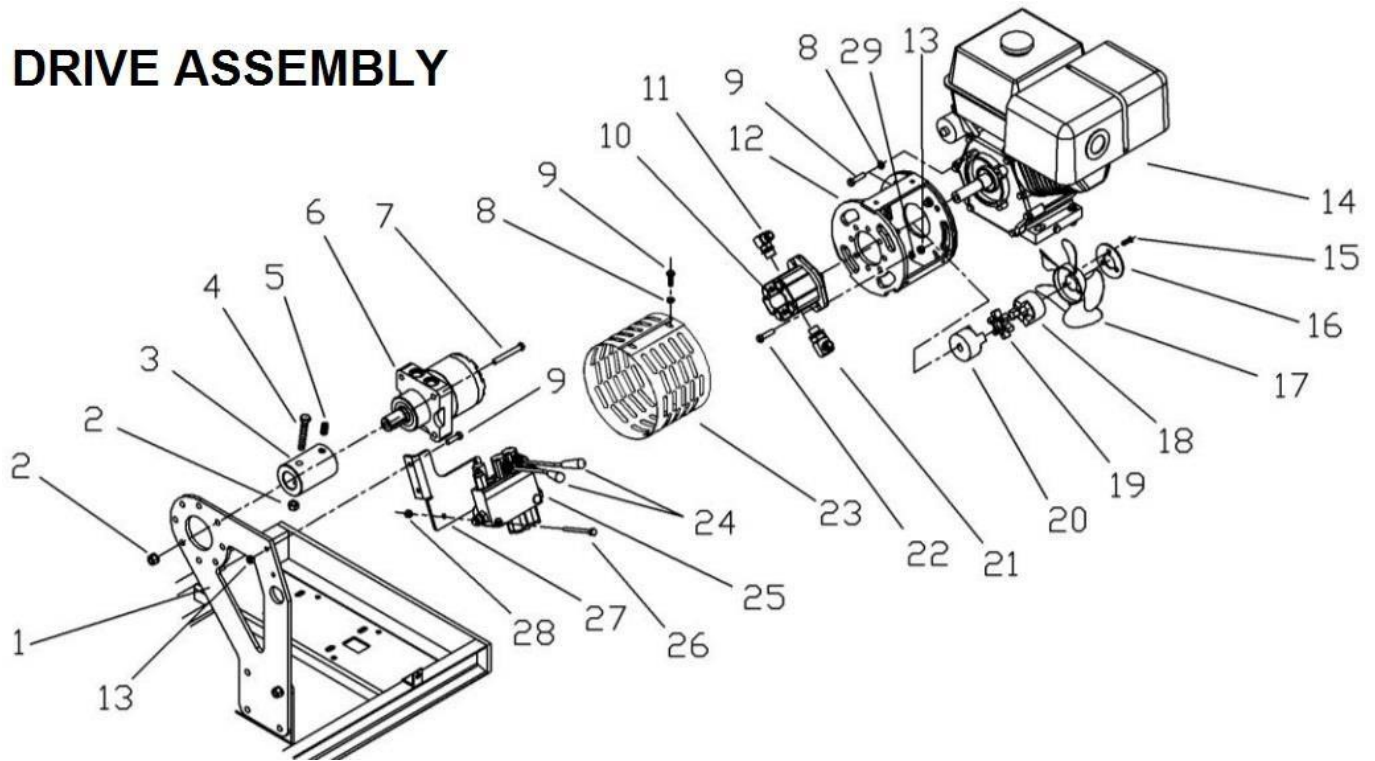
14H	TCCN012GAL	T190	HEX LOCK NUT 1/2" - T190 - C178 (WELDED TO THE FRAME)	1	1	\$0.00
15H	0220FG02AC	T684	ARM, LEVER 6SR-S12S/MM12G (R3) LEVER ARM - T684 - 496049	1	1	\$17.63
16H	00PE056112	T683	PIN SPR SL STD 5/16 X 1 - 1/2" - 135282 - T683	2	2	\$1.70
17H	00CHPI2300	T101	3" DRUM PILLOW BLOCK - T101	2	2	\$25.00
18H	0000GRH045	T102	DRUM BEARING, GREASE FITTING 45 DEG - T102 - 110689	2	2	\$2.50
19H	TOCD012212	T104	HEX BOLT HD 1/2" X 2-1/2" - T104 - C146 - 226690	4	4	\$1.25
20H	RNPX012GAL	T105	PLAIN WASHER 1/2" - T105 - C172 - 174470	17	17	\$2.12
21H	TCCS012GAL	T106	HEX LOCK NUT 1/2" - T106 - 227854 - C304	9	9	\$1.25
22H	TOCD038100	C138	HEX BOLT 3/8 X 1 - C138	3	3	\$1.08
23H	RNRX038GAL	T113	LOCK WASHER 3/8 T113 - C144 -176230	3	3	\$1.08
24H	TCCS038GAL	T114	HEX LOCK NUT 3/8" - 227830 - T114 - C142	3	3	\$1.25
25H	412915	T722	CYLINDER, HYD 2" X 10" - T722 - 412915	1	1	\$326.48
26H	SC018112GAL	135990	PIN, COTTER 3/16 X 1-1/2" - 135990	2	2	\$1.08
27H	ASK FOR #	412855	CYLINDER PIN 1 X 6.5" - 412855	1	1	\$26.50
28H	0224CO01RD	T425	AXLE NO HUBS FOR HYD MIXER - T425	1	1	\$250.00
28H	0224CO01RD-1	T-425-1	AXLE WITH HUBS FOR HYDRAULIC MIXER HM12/HM16 - T425-1	1	1	\$300.00
29H	0200KI03RD	T129-1	WHEEL HUB W/ 1" BRG L44643 & DUST CAP - 702071 - T129 - C135 (NEW STYLE)	2	2	\$75.00
30H	0000CO01RD	T137	WHEEL & TIRE ASSY 165-80 R13" - T137 - 431081 - C136	2	2	\$115.00
31H	0000RF10RD	T136-1	HIGH SPEED WHEELS HUB, DUST CAP (NEW STYLE) - T136-1	2	2	\$8.00
32H	ASK FOR #	412948	HYD TANK FITTING	1	1	\$20.00
33H	ASK FOR #	412919	ADAPTER 90° #8JICFEM/#8JIC ML	1	1	\$25.31
34H	ASK FOR #		BREATHER FILTER-BF-12P-5 10MIC	1	1	\$0.00
35H	ASK FOR #	HF6056	HYD FILTER (OPTIONAL) - HF6056	1	1	\$35.23
36H	ASK FOR #	485115	SCREEN, SUCTON - 100 MESH 1" NPT	1	1	\$32.75
37H	0224CO01AT	412801	RESERVOIR OIL ASSEMBLY (4 GALLONS)	1	1	\$960.36

HOOD ASSEMBLY HM

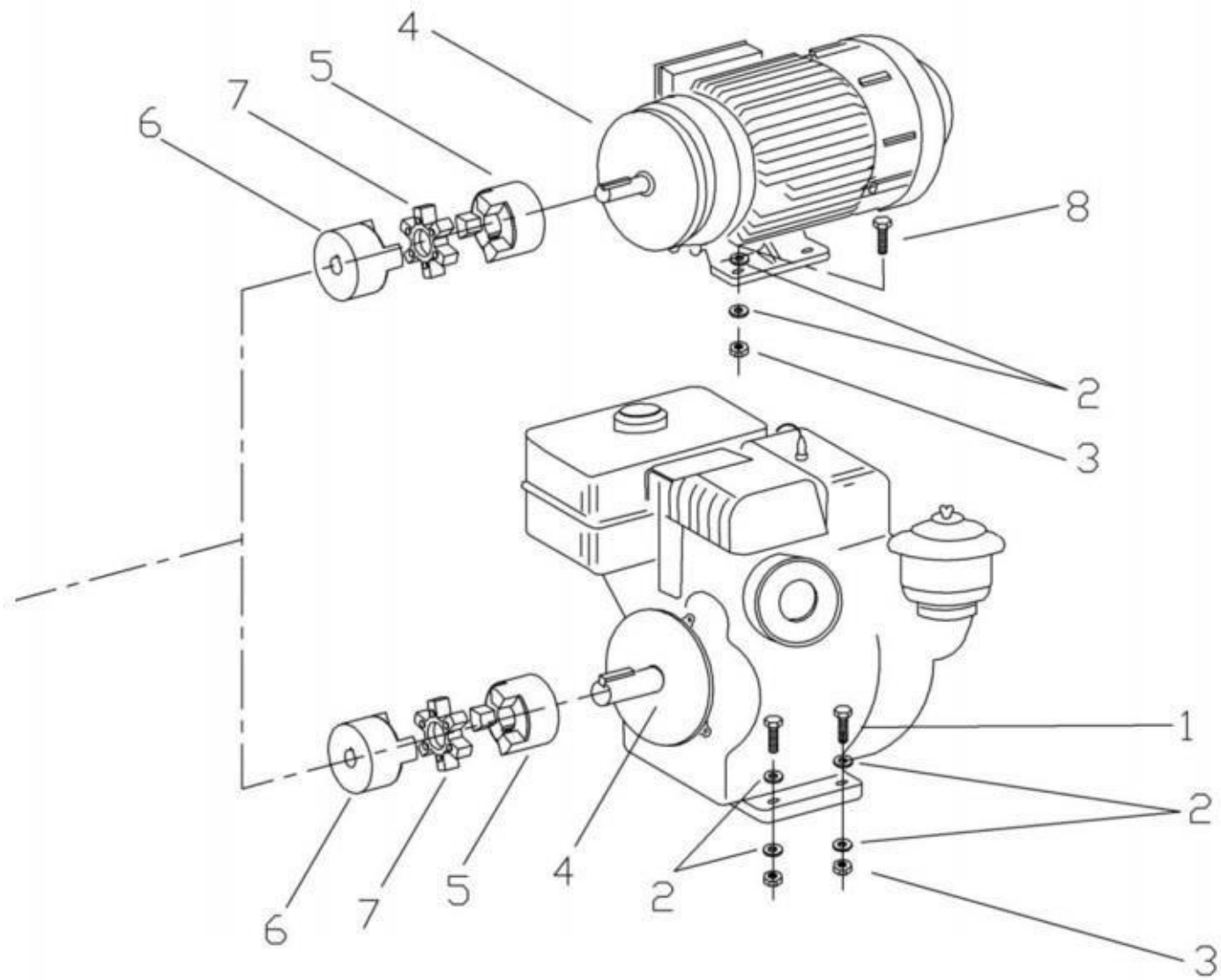


HOOD ASSEMBLY						
#	MANUF. #	PART #	DESCRIPTION	HM12	HM16	LISTPRICE
1	0000RF01GA	T158	RUBBER SCREW 1/4" FOR SHROUD - T158 - C159 - 201544	4	4	\$3.15
2	0222CO01GA	T686	HM12-HM16 SQUARE SHROUD ASSEY COMPLETE - T686	1	1	\$400.00
3	0200KI01GA	T193	ENGINE KILL SWITCH ASSEY RED (WITH HARNESS) 701007 - T193	1	1	\$29.00
3	0200KI01GA	T195-1	ENGINE N.O KILL SWITCH RED (NO HARNESS) - 816769AS - 112500 - T195-1 - 290100	1	1	\$18.00
4	0000RF02GA	T160	SHROUD HOOK ASSEMBLY - T160 - C161 - 701004 - 201543	2	2	\$9.00
5	RNPX038GAL	T112	PLAIN WASHER 3/8" - T112 - C139 - 174986 - 701032 - C140	8	8	\$1.08
6	TCCS038GAL	T114	HEX LOCK NUT 3/8" - 227830 - T114 - C142	4	4	\$1.25
7	TOCD038112	T176	HEX BOLT 3/8" X 1-1/2" - T176 - C141 - 226230	4	4	\$1.25
7H	TOCD038114	134990	HEX BOLT HD, 3/8 X 1-1/4 HX GR5 - 226220 - 134990	4	4	\$1.25
8H	RNPX012GAL	T105	PLAIN WASHER 1/2" - T105 - C172 - 174470	4	4	\$2.12
9H	RNPX056GAL	174990	PLAIN WASHER, 5/16 ID X 3/4 OD FL ZP - 174990	4	4	\$1.08
10H	TCCS056GAL	T148	HEX LOCK NUT 5/16" - T148 - 227821	2	2	\$1.25
11H	TOCD056100	225980	HEX BOLT, 5/16X 1 HX GR2 CP NC - 225980	2	2	\$1.25
12H	ASK FOR #		ENGINE SHROUD LID ACCESS	1	1	\$21.00

DRIVE ASSEMBLY

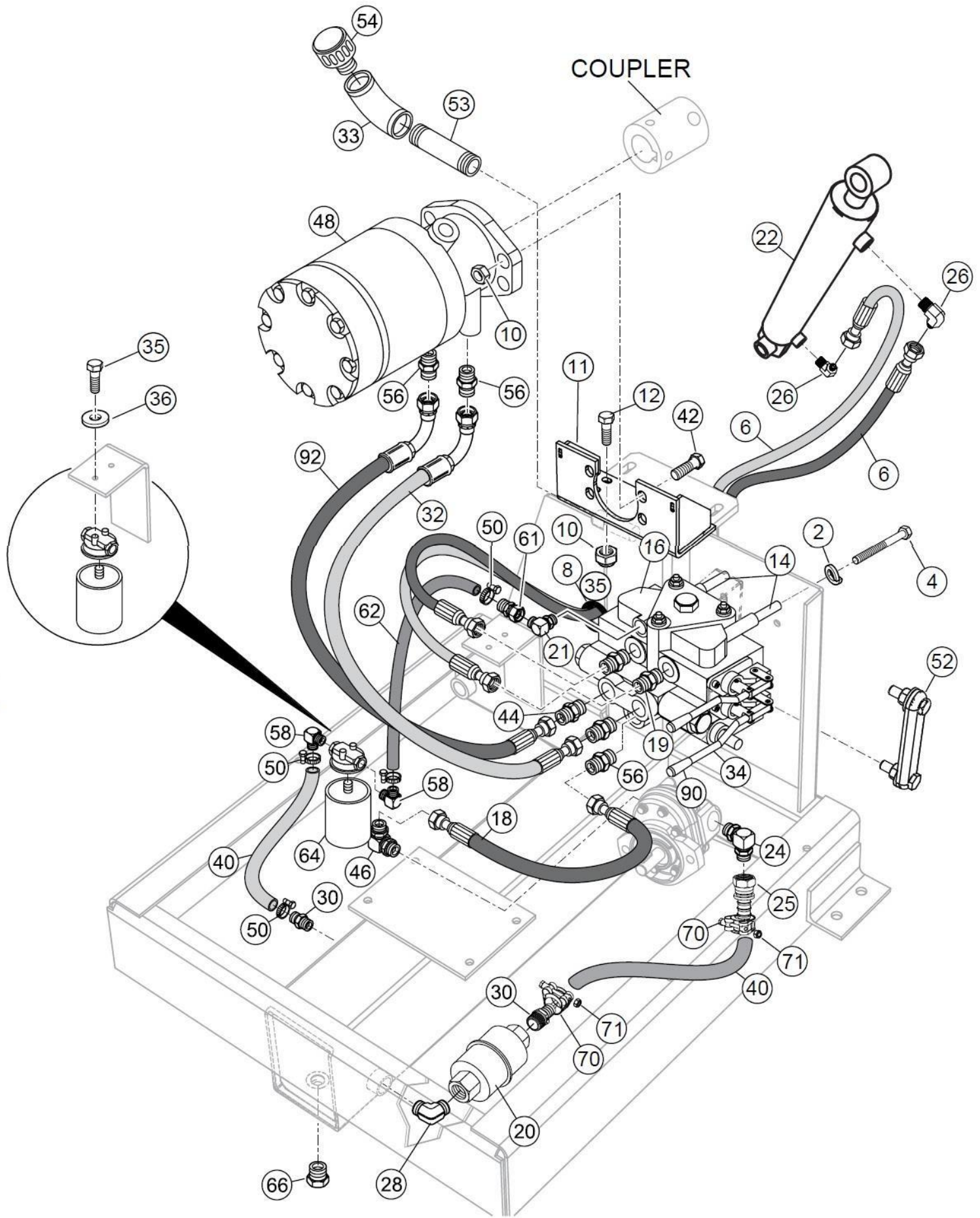


TRANSM. ASSEY HM						
#	MANUF. #	PART #	DESCRIPTION	HM12	HM16	LISTPRICE
1H	ASK FOR #	412810	ARM, REACTION 12SH-S16SH/HM12-HM16	1	1	\$84.40
2H	TCCS012GAL	T106	HEX LOCK NUT 1/2" - T106 - 227854 - C304	5	5	\$1.25
3H	0000CR01SH	701002	COUPLER, 1.5" W/PIN 1.5" W/KEY (3-3/4" LONG)	1	1	\$190.00
3H	ASK FOR #	412814	COUPLER, 1.5" W/PIN 1.5" W/KEY (4-1/2" LONG)	1	1	\$190.00
4H	TOCD012400	401006	HEX BOLT GR5 1/2 X 4 - 401006	1	1	\$4.24
5H	OPCR056038	228028	SET SCREW, 5/16 X 3/8 - 228028	1	1	\$1.70
6H	ASK FOR #	412950	MOTOR, HYD 31.95 CU IN/REV	1	1	\$954.00
7H	TOCD012212	226690	HEX BOLT HD 1/2" X 2-1/2" - T104 - C146 - 226690	4	4	\$1.25
8H	RNRX038GAL	T113	LOCK WASHER 3/8 T113 - C144 - 176230	6	6	\$1.08
9H	TOCD038100	C138	HEX BOLT 3/8 X 1" - C138	8	8	\$1.08
10H	ASK FOR #	412927	HYD PUMP .366 IN3 REV, GAS ENGINE	1	1	\$807.72
10H	ASK FOR #	412928	HYD PUMP .659 IN3 REV, ELEC MOTOR	1	1	\$807.72
11H	ASK FOR #	412926	ADAPTER, 90°#10 ORB MALE ~ #10 JIC	1	1	\$25.44
12H	ASK FOR #	412800	PUMP MOUNT W.A. "A" FLANGE	1	1	\$116.60
12H	1017CO01PM	702008	PUMP MOUNT W.A. ELECTRIC MOTOR	1	1	\$116.00
13H	TCCS038GAL	T114	HEX LOCK NUT 3/8" - 227830 - T114 - C142	4	4	\$1.25
14H	202012M	N/A	ENGINE HONDA 13 HP GX340	1	1	\$1,225.00
15H	ASK FOR #	142532	SCREW, 5/16X3/4 CS SOCK HD GR12	3	3	\$5.30
16H	ASK FOR #	412815	FAN, 2" BC 12H-16S	1	1	\$4.66
17H	ASK FOR #	412851	FAN, 8" CCW 8CC1375W38H15N1	1	1	\$33.92
18H	ASK FOR #	N/A	ENGINE COUPLER, SEE ENGINE OPTIONS	1	1	\$0.00
19H	ASK FOR #	N/A	COUPLER INSERT, SEE ENGINE OPTIONS	1	1	\$0.00
20H	ASK FOR #	N/A	HYD PUMP COUPLER, SEE OPTIONS	1	1	\$0.00
21H	ASK FOR #	412920	ADAPTER 90° #12 ORB MALE #10 JIC	1	1	\$29.68
22H	TOCD038200	226250	HEX BOLT HD, GR5 3/8" X 2" - 226250 - T145- C158	2	2	\$1.25
23H	ASK FOR #	412820	GUARD, 9" DIA.	1	1	\$40.00
*	1017LA01PM	702009	ELECTRIC MOTOR GUARD - 702009	1	1	\$50.00
24H	ASK FOR #	485704	HANDLE, HYD MIX VALVE - 485764	2	2	\$14.88
25H	ASK FOR #	412914	VALVE 2SPOOL PRESS COMP	1	1	\$1,017.60
26H	TOCD056300	701009	HEX BOLT HD 5/16" X 3" - 701009 - T201	2	2	\$1.08
27H	ASK FOR #	412818	BRACKET, VALVE MOUNTING	1	1	\$23.32
28H	TCCS056GAL	227821	HEX LOCK NUT 5/16" - T148 - 227821	2	2	\$1.25
29H	ASK FOR #	174986	PLAIN WASHER 3/8" - T112 - C139 - 174986 - 701032 - C140	4	4	\$1.08



ENGINE ASSEY BREAK DOWN

#	SKU #	PART #	DESCRIPTION	HM12	HM16	PRICELIST
1H	TOCD038134	226240	HEX BOLT HD, 3/8 X 1-3/4 - 226240	4	4	\$1.25
2H	RNPX038GAL	174986	PLAIN WASHER 3/8" - T112 - C139 - 174986 - 701032 - C140	8	8	\$1.08
3H	TCCS038GA	227830	HEX LOCK NUT 3/8" - 227830 - T114 - C142	4	4	\$1.25
4H	202012M	N/A	ENGINE HONDA 13 HP O/A GX390UQAE6	1	1	\$973.00
5H	ASK FOR #	412856	COUPLER, L100 & L70 X 1" DIAM SHAFT	1	1	\$135.68
4H	ASK FOR #	219991MS	BALDOR MOTOR, 5HP, 3PH, 60HZ 575V, W/C-FACE (CEM3615T-5)	1	1	\$797.50
5H	ASK FOR #	412859	COUPLER, L100 X 1.125" DIA.	1	1	\$56.18
4H	ASK FOR #	219993	MOTOR, 7.5 HP, 3-575, EXT SHAFT, 1" C FI	1	1	\$1,339.84
5H	ASK FOR #	412871	COUPLER, L100 X 1.375" DIA.	1	1	\$254.40
4H	ASK FOR #	219999	MOTOR, 7.5 HP, 1-115/230, 1" C FLG	1	1	\$1,201.25
5H	ASK FOR #	412871	COUPLER, L100 X 1.375" DIA	1	1	\$254.40
4H	ASK FOR #	220000	MOTOR, 7.5 HP, 3-239/460, EXT SHAFT	1	1	\$1,201.25
5H	ASK FOR #	412871	COUPLER, L100 X 1.375" DIA	1	1	\$254.40
6H	ASK FOR #	412853	COUPLER, L100 X 5/8" DIA. ELEC MOTOR	1	1	\$137.80
6H	ASK FOR #	702007	COUPLER, L100 X 3/4" DIA. GAS ENGINE	1	1	\$254.40
7H	ASK FOR #	412854	INSERT, L099-100U BLUE	1	1	\$93.28
8H	ASK FOR #	226210	BOLT, HEX HD, 3/8 X 1 (TOCD038100)	4	4	\$1.25



HYD HOSES & FITTINGS						
#	SKU #	PART #	DESCRIPTION	HM12	HM16	LISTPRICE
1	ASK FOR #	412858	KIT, SPOOL DETENT BM40 BC40	1	1	\$210.00
2	ASK FOR #	412903	RESERVOIR TO PUMP BUTTOM HOSE 3/4 X 16" #10 JIC ~ #10 JIC	1	1	\$84.80
3	ASK FOR #	412904	VALVE TO PUMP SIDE HOSE, 1/2 X 18" #10 JIC ~ #10 JIC	1	1	\$51.94
4	ASK FOR #	412905	VALVE TO CYLINDER HOSE, 3/8 X 72" #6 JIC ~ #6 JIC	2	2	\$56.18
5	ASK FOR #	412906	VALVE TO MOTOR HOSE, 1/2 X 24" #10 JIC ~ #10 JIC	2	2	\$56.18
6	ASK FOR #	412907	COOLER TO VALVE & FILTER HOSE, 1/2 X 18" #8 JIC ~ #8 JIC	2	2	\$46.64
7	ASK FOR #	412909	CYLINDER VALVE ADAPTER 90° #4 NPT ~ #6 JIC	2	2	\$7.00
8	ASK FOR #	412910	VALVE ADAPTER, #8 ORB ~ #10 JIC	2	2	\$12.93
9	ASK FOR #	412911	VALVE ADAPTER, #12 ORB ~ #8 JIC	1	1	\$9.75
10	ASK FOR #	412912	FILTER ADAPTER, 45° #8 NPT ~ #8 JIC	1	1	\$13.14
11	ASK FOR #	412913	RESERVOIR BUTTOM, 45° #8 NPT ~ #10 JIC	1	1	\$13.78
12	ASK FOR #	412916	VALVE ADAPTER, #8 ORB ~ #6 JIC	2	2	\$7.42
13	ASK FOR #	412917	VALVE ADAPTER, PLUG #10	1	1	\$7.42
14	ASK FOR #	412918	VALVE ADAPTER, PLUG #8	1	1	\$6.36
15	ASK FOR #	412919	FILTER ADAPTER, 90° #8 JIC FERN ~ #8 JIC MALE	2	2	\$25.31
16	ASK FOR #	412922	HYD MOTOR ADAPTER, 45° #10 ORB ~ #10 JIC	2	2	\$24.38
17	ASK FOR #	412925	VALVE ADAPTER, HYD #8 ORB ~ #8 JIC	1	1	\$6.36
18	ASK FOR #	412932	RESERVOIR FITTING, PLUG, #8 NPT	2	2	\$7.00
19	ASK FOR #	485104	VALVE ADAPTER, 90° #10 JIC FERN ~ #10 JIC MALE	1	1	\$18.79
20	ASK FOR #	485115	RESERVOIR SCREEN, SUCTION - 100 MESH 1" NPT	1	1	\$30.32

www.tkequip.com
salesmanager@tkequip.com
sales@tkequip.com
 Office: 956-796-9411
 Tel: 956-740-3740
 Fax: 956-462-2500