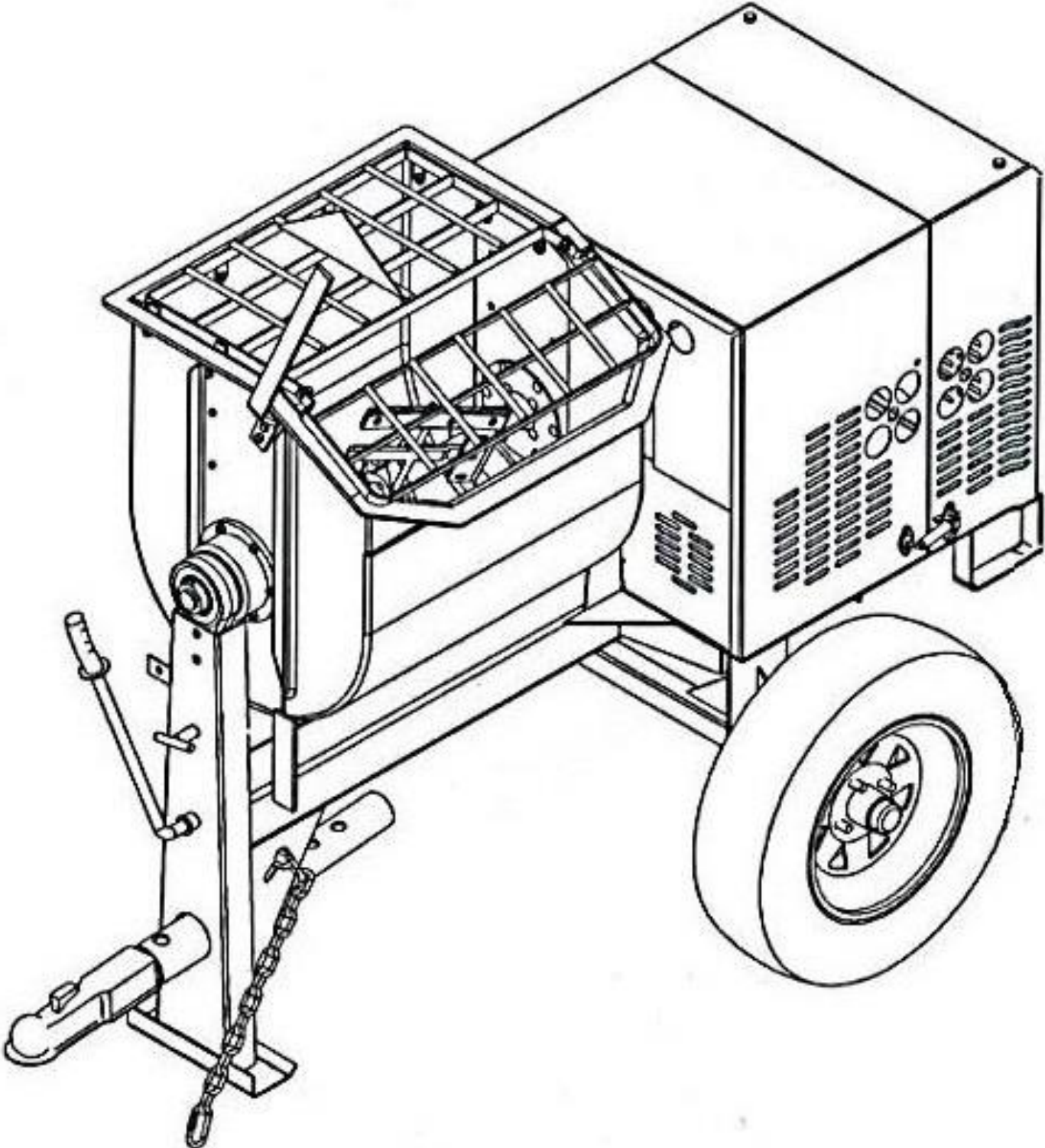
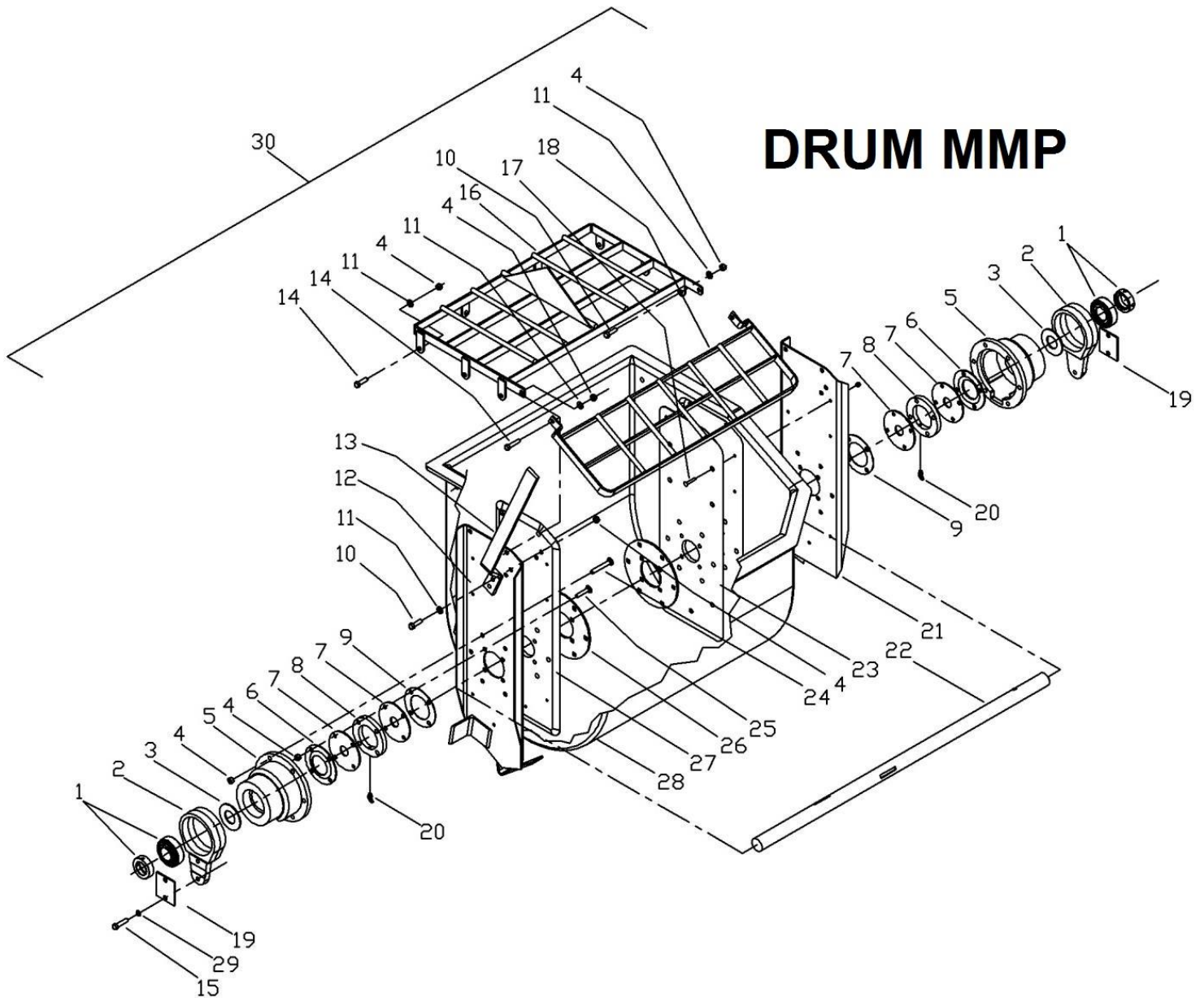


MM6P – MM8P PARTS BREAKDOWN



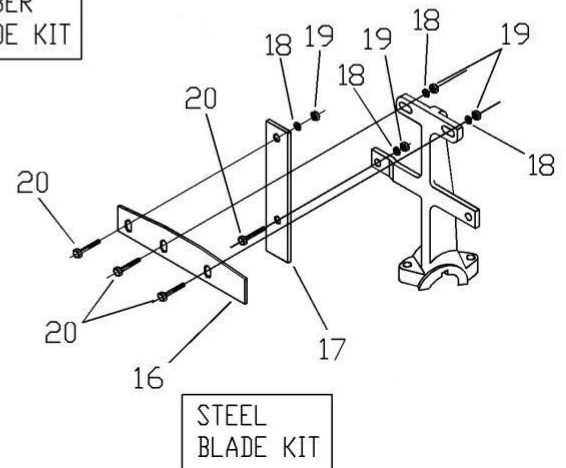
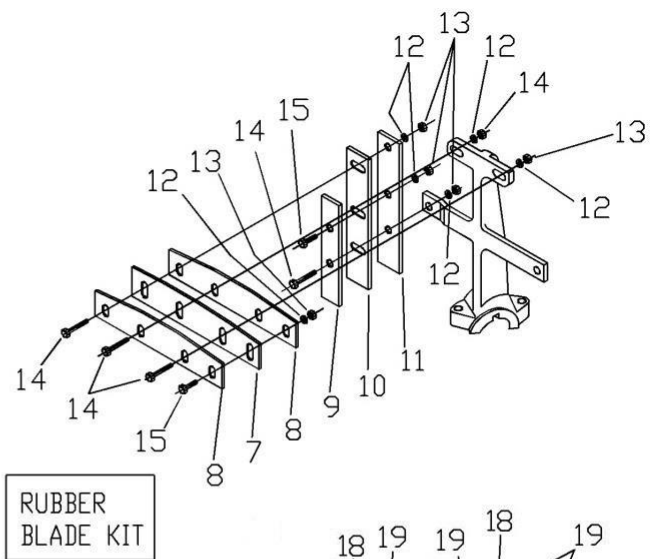
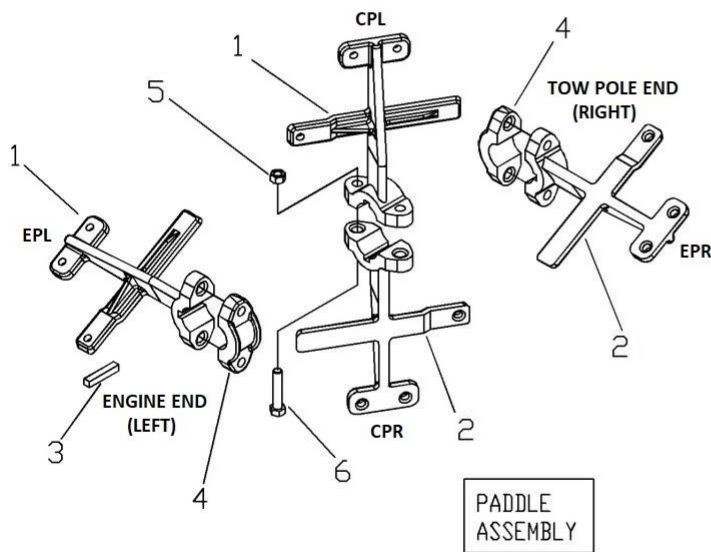
DRUM MMP



DRUM ASSEMBLY BREAK DOWN					
#	M.I.D. #	PART #	DESCRIPTION	MM6P	MM8P
1	0000BA20824	T175	DRUM TRUNNION BRG KIT W/ FITTING GREASE	2	2
2	0200CH01TQ	T485	DRUM PIVOT MMP	2	2
3	0200HN01TQ	T486	DRUM FLINGER, 3.00 X 1.47 X .13	2	2
4	TCCS038GAL	T114	LOCK NUT HEX, 3/8"	30	32
5	0218FG02TQ	T487	DRUM TRUNNION MMP	2	2
6	0218PL03TQ	T488	SEAL RING DRUM MMP	2	2
7	0200HN02TQ	T551	DRUM SEAL MMP	4	4
8	0218FG01TQ	T489	DRUM SEAL PLATE	2	2
9	0218AS01TQ	T490	GASKET 4-1/2" DIAM 0.06 THICK	2	2
10	TOCD038200	T145	HEX HEAD SCREW 3/8" X 2"	4	4
11	RNPX038GAL	T112	PLAIN WASHER, 3/8"	10	12
12	0218LA01TQ	T491	FRONT OUTSIDE DRUM CHANNEL MM6P	1	
12	0225LA01TQ	T492	FRONT OUTSIDE DRUM CHANNEL MM8P		1
13	0200CO01TQ	T168	DRUM DUMPINHG HANDLE SOLD WITH GRIP	1	1
14	TOCD038112	T176	HEX HEAD SCREW 3/8" X 1-1/2"	6	6

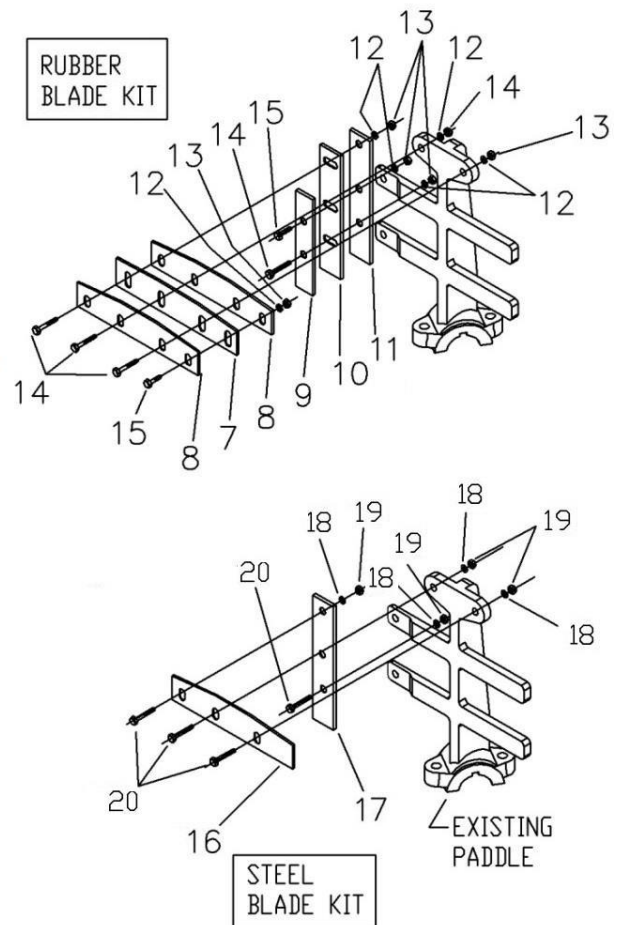
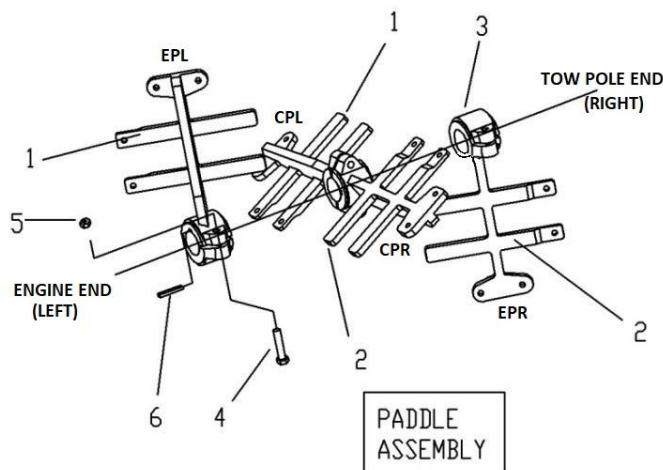
15	TOCD012112	T595	HEX HEAD SCREW 1/2" X 1-1/2"	4	4
16	0218CO01RJ	T493	FIXED GRILL MM6P	1	
16	0225CO01RJ	T494	FIXED GRILL MM8P		1
17	TOCT014112	T552	ALLEN BOLT, 1/4" x 1-1/2"	14	14
18	0218CO02RJ	T553	HINGED GRILL MM6P	1	
18	0225CO02RJ	T554	HINGED GRILL MM8P		1
19	0218PL01TQ	T555	DRUM SHIM(S) (OPTIONAL)	2	2
20	0000GRH045	T102	BEARING FITTING GREASE 45 DEG	2	2
21	0218LA02TQ	T556	REAR OUTSIDE DRUM CHANNEL MM6P	1	
21	0225LA02TQ	T557	REAR OUTSIDE DRUM CHANNEL MM8P		1
22	0218CR01TQ	T558	PADDLE SHAFT MM6P	1	
22	0225CR02TQ	T559	PADDLE SHAFT MM8P		1
23	0218LA03TQ	T560	REAR INSIDE DRUM CHANNEL MM6P	1	
23	0225LA03TQ	T561	REAR INSIDE DRUM CHANNEL MM8P		1
24	TOCL038112	T174	DRUM TRUNNION CARRIAGE BOLT 3/8" x 1-1/2"	12	12
25	TOCL038200	T562	DRUM TRUNNION CARRIAGE BOLT 3/8" x 2"	8	8
26	0218PL02TQ	T563	INNER SEAL PLATE	2	2
27	0218LA04TQ	T564	FRONT DRUM FILLER PLATE MM6P	1	
27	0225LA04TQ	T565	FRONT DRUM FILLER PLATE MM8P		1
28	0218PC01TQ	T566	DRUM MM6P	1	
28	0225PC02TQ	T567	DRUM MM8P		1
29	RNRX012GAL	T568	SPRING WASHER, 1/2"	4	4
30	0218KI01TQ	T569	DRUM ASSY COMPLETE MM6P	1	
30	0225KI01TQ	T570	DRUM ASSY COMPLETE MM8P		1

PADDLE ASSEMBLY MM6P



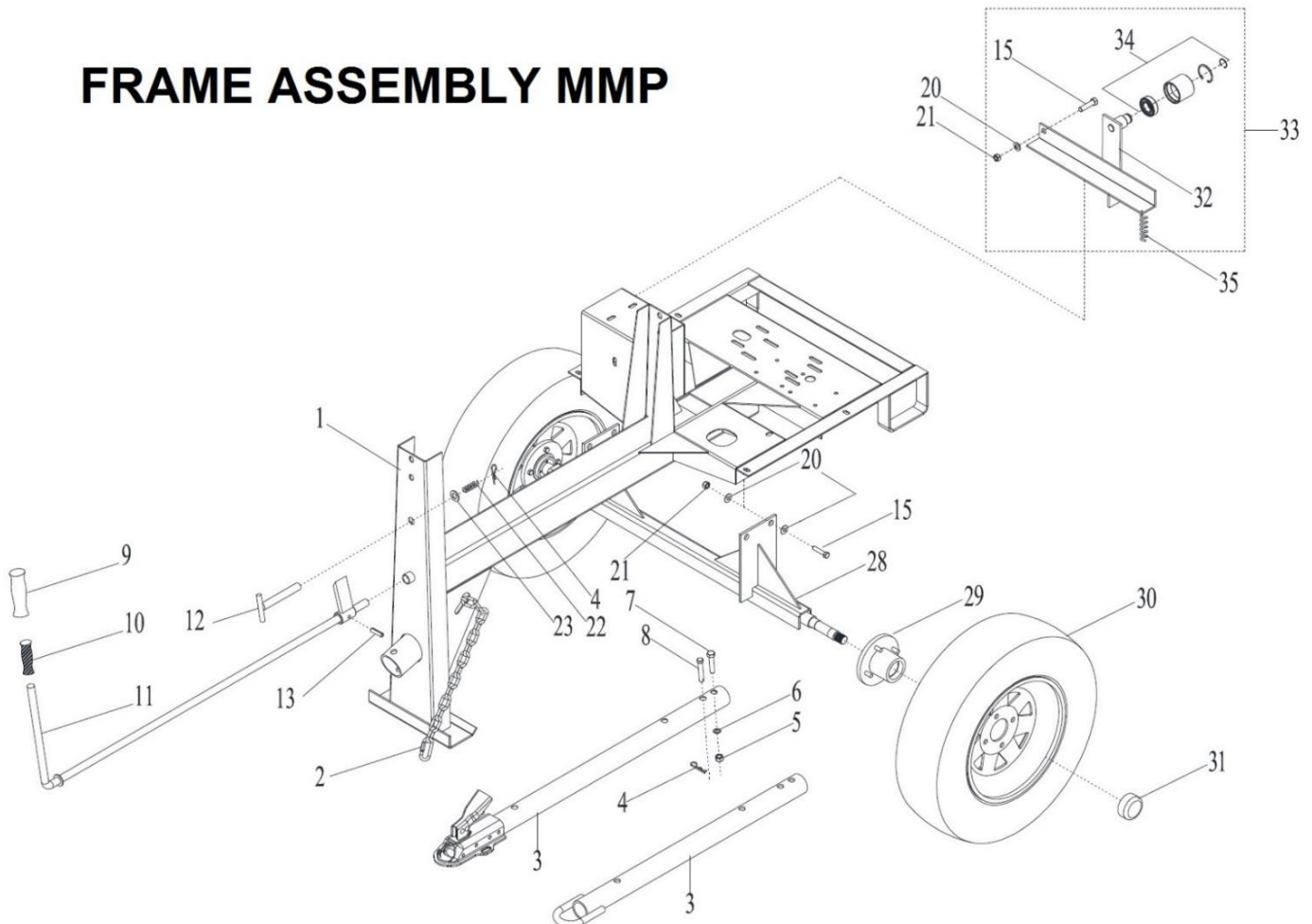
PADDLE ASSEY MM6P				
#	M.I.D. #	PART #	DESCRIPTION	MM6
1	0218FG01AS	T571	END PADDLE & CENTRAL PADDLE LEFT ARM MM6P	2
2	0218FG03AS	T574	END PADDLE & CENTRAL PADDLE RIGHT ARM MM6P	2
3	1000CC01ED	T572	PADDLE KEY 3/8" x 1-3/4"	4
4	0218FG02AS	T573	PADDLE END BRACKET MMP	2
5	TCCS012GAL	T106	HEX LOCKNUT 1/2"	6
6	TOCD012300	T481	HEX BOLT 1/2" x 3"	6
RUBBER BLADE KIT MM6P				
7	0200HN01AS	T577	TOP WIPER	4
8	0218LA01AS	T579	TOP BLADE	8
9	0218LA02AS	T580	BLADE SIDE SMALL	2
10	0218HN01AS	T578	WIPER SIDE	2
11	0218LA03AS	T581	BLADE SIDE	2
12	RNPX038GAL	T112	PLAIN WASHER, 3/8"	44
13	TCCS038GAL	T114	LOCK NUT HEX, 3/8"	18
14	TOCD038200	T145	HEX HEAD SCREW 3/8" x 2"	4
15	TOCD038112	T176	HEX HEAD SCREW 3/8" X 1-1/2"	16
*	N/A	609802	RUBBER BLADE KIT COMPLETE MM6P (609802)	1
STEEL BLADE KIT MM6P				
16	0218PL01AS	T575	BLADE TOP SMALL	4
17	0218PL02AS	T576	BLADE SIDE	2
18	RNPX038GAL	T112	PLAIN WASHER, 3/8"	24
19	TCCS038GAL	T114	LOCK NUT HEX, 3/8"	12
20	TOCD038112	T176	HEX HEAD SCREW 3/8" X 1-1/2"	12
*	N/A	610550	PADDLE ASSEMBLY KIT MM6P (610550)	1

PADDLE ASSEMBLY MM8P

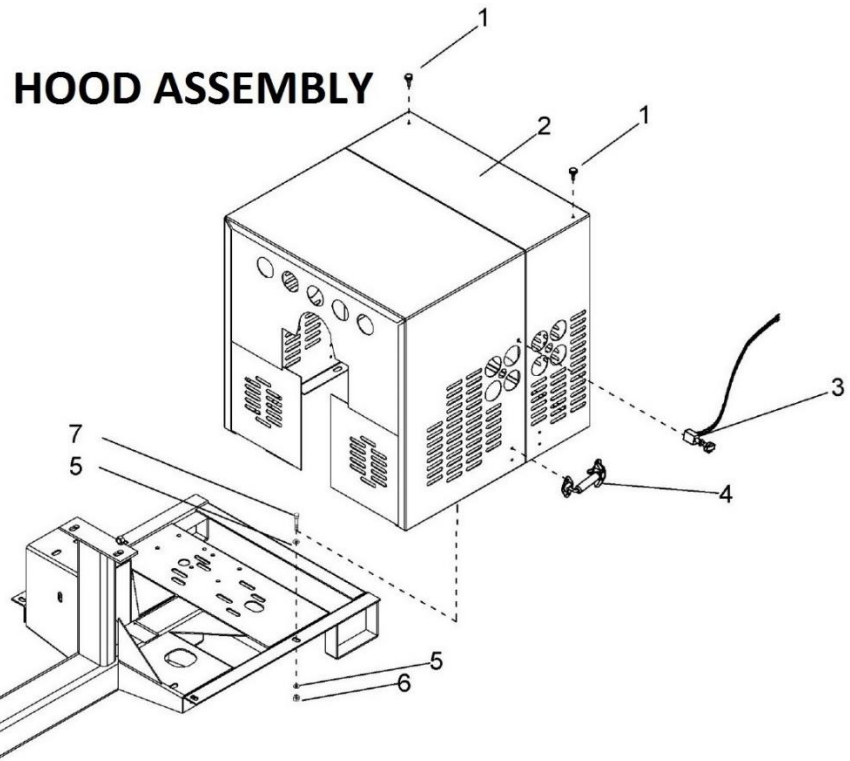


PADDLE ASSEY MM8P				
#	M.I.D. #	PART #	DESCRIPTION	MM8P
1	0225FG01AS	T582	END PADDLE & CENTRAL PADDLE LEFT ARM MM8P	2
2	0225FG02AS	T583	END PADDLE & CENTRAL PADDLE RIGHT ARM MM8P	2
3	0218FG02AS	T573	PADDLE CAP	8
4	TOCD012300	T481	BOLT, HEXHD, 1/2" X 3"	6
5	TCCS012GAL	T106	LOCK NUT, 1/2"	6
6	1000CC01ED	T572	KEY, 3/8" X 1-3/4"	4
RUBBER BLADE KIT MM8P				
7	0200HN01AS	T577	TOP WIPER	4
8	0218LA01AS	T579	TOP BLADE	8
9	0225PL03AS	T586	BLADE SIDE	2
10	0225HN01AS	T587	WIPER SIDE	2
11	0225PL04AS	T588	BLADE SIDE	2
12	RNPX038GAL	T112	PLAIN WASHER, 3/8"	44
13	TCCS038GAL	T114	LOCK NUT HEX, 3/8"	18
14	TOCD038200	T145	HEX HEAD SCREW 3/8" X 2"	4
15	TOCD038112	T176	HEX HEAD SCREW 3/8" X 1-1/2"	16
*	N/A	609910	RUBBER BLADE KIT COMPLETE MM8P	1
STEEL BLADE KIT MM8P				
16	0218PL01AS	T575	BLADE TOP SMALL	4
17	0218PL02AS	T576	BLADE SIDE	2
18	RNPX038GAL	T112	PLAIN WASHER, 3/8"	24
19	TCCS038GAL	T114	LOCK NUT HEX, 3/8"	12
20	TOCD038112	T176	HEX HEAD SCREW 3/8" X 1-1/2"	12
*	N/A	610555	PADDLE ASSEMBLY KIT MM8P (610555)	1

FRAME ASSEMBLY MMP

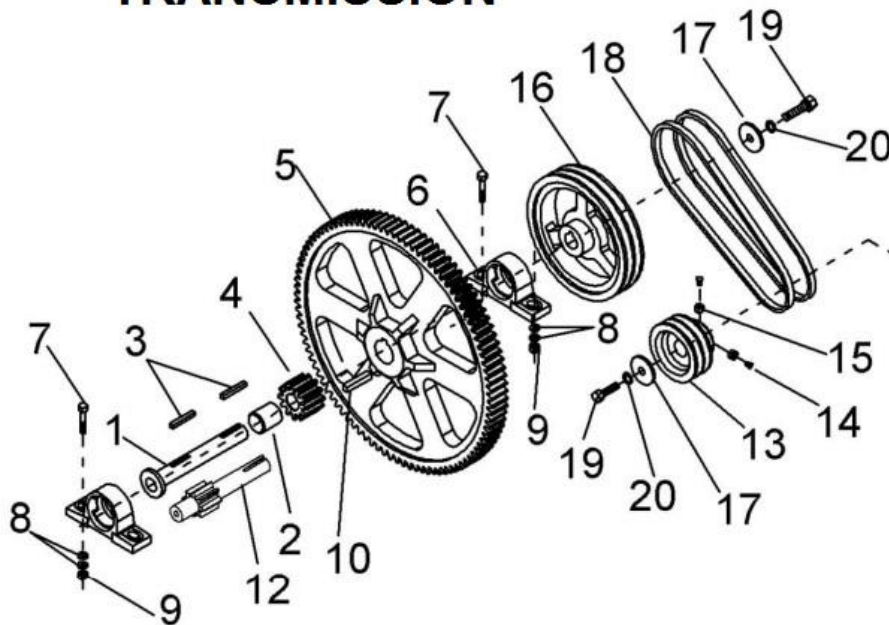


FRAME ASSEMBLY BREAK DOWN					
#	M.I.D. #	PART #	DESCRIPTION	MM6P	MM8P
1	0218CO01CH	T499	FRAME MM6P	1	
1	0225CO01CH	T550	FRAME MM8P		1
2	CA03316GAL	T501	5/16" SAFETY CHAIN	1	1
3	0000CO03LZ	T118-V	PINTLE HITCH (VERTICAL HOLE)	1	1
3	0000CO04LZ	T119-V	2" BALL HITCH (VERTICAL HOLE)	1	1
4	SR00036EXT	T110	GRID/HITCH HAIR LOCK PIN 3/16"	1	1
5	TCFN034GAL	T124	TOWING HITCH SAFETY HEX HEAD NUT 3/4"	1	1
6	RNRX034GAL	T123	TOWING HITCH SAFETY LOCK WASHER 3/4"	1	1
7	TOFD034312	T122	TOWING HITCH SAFETY HEX HEAD SCREW 3/4" x 3-1/2"	1	1
8	0000CR01LZ	T121	TOWING HITCH SAFETY PIN LOCK	1	1
9	0000RF01RJ	T166	DUMPING & CONTROL HANDLE GRIP	1	1
10	0000RF02TQ	T414	CONTROL HANDLE INSIDE GRIP HOLDER	1	1
11	0200CO01CU	T117	ENGAGEMENT CONTROL HANDLE LEVER MM6P - MM8P	1	1
12	0200CO01CH	T107	TOWING/DUMPING SPRING LOADED LOCK PIN	1	1
13	00PE038112	T505	CONTROL HANDLE LOCK PIN 3/8" X 1-1/2"	1	1
15	TOCD012134	T189	HEX HEAD CAP SCREW 1/2" X 1-3/4"	7	7
21	TCCS012GAL	T106	HEX LOCKNUT 1/2"	9	9
22	0000RF01CH	T109	TOWING/DUMPING LOCK PIN SPRING	1	1
23	RNPX034GAL	T108	TOWING/DUMPING PIN LOCK PLAIN WASHER 3/4"	1	1
28	0200CO03RD	T125-2	STANDARD 46" AXLE MM6 - MM10 (NO HUBS)	1	1
28	0200CO04RD	T125-3	AXLE ASSY W/ WHEEL HUBS	1	1
29	0200KI03RD	T129-1	HIGH SPEED WEELS AXLE HUBS ASSEY WITH DUST CAP (NEW STYLE)	2	2
30	0000CO02RD	T137-12	WHEEL AND TIRE ASSEY 4.8X12" MM6	2	
30	0000CO01RD	T137	WHEEL AND TIRE ASSEY 165-80-R13" MM8 - MM12		2
31	0000RF10RD	T136-1	HIGH SPEED WHEELS HUB, DUST CAP (NEW STYLE)	2	2
32	0200CO02CU	T140	IDLER ARM BRACKET (NO BEARING)	1	1
33	0200CO04CU	T197	BEARING CLUTCH ASSEY WITH IDLER ARM BRACKET	1	1
34	0200KI01CU	T197-1	BEARING CLUTCH ASSEY	1	1
35	0000RF01CU	T192	IDLER ARM SPRING	1	1

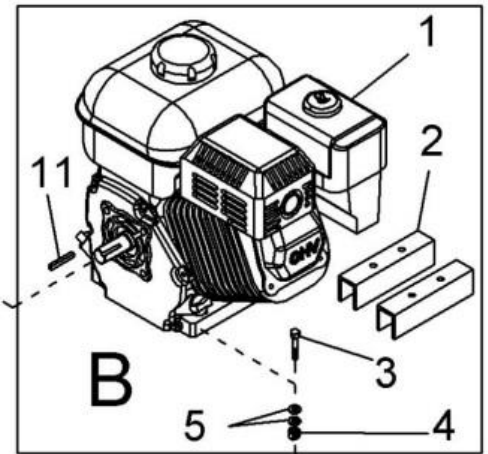


HOOD ASSEMBLY BREAK DOWN					
#	MANUF. #	PART #	DESCRIPTION	MM6P	MM8P
1	0000RF01GA	T158	SHROUD RUBBER SCREW	2	2
2	0200CO01GA	T157	SQUARE SHROUD ASSEY COMPLETE MM6 - MM10	1	1
3	0200KI01GA	T193	SHROUD ASSEMBLY PUSH STOP WITH ENGINE HARNESS	1	1
3	0000RF04GA	T195	ENGINE KILL SWITCH (NO HARNESS) BLACK	1	1
3	816769AS NO	T195-1	ENGINE KILL SWITCH (NO HARNESS) - 816769AS RED	1	1
4	0000RF02GA	T160	SHROUD SPRING LOADED HOOK ASSEMBLY	2	2
5	RNPX038GAL	T112	PLAIN WASHER, 3/8"	8	8
6	TCCS038GAL	T114	LOCK NUT HEX, 3/8"	4	4
7	TOCD038112	T176	HEX HEAD SCREW 3/8" X 1-1/2"	4	4

TRANSMISSION



ENGINE



TRANSM. ASSEY BREAK DOWN					
#	MANUF. #	PART #	DESCRIPTION	MM6P	MM8P
1	0200CR01TR	T146	TRANSMISSION SHAFT 1" x 7-1/4"	1	1
2	0200TU01TR	T205	TRANSMISSION SHAFT BUSHING 1" X 1-5/8"	1	1
3	0200CC03TR	T202	TRANSMISSION PULLEY & SHAFT KEY 1/4" x 1-7/8"	2	2
3	0000CU01TR	T483	TRANSMISSION KEY 1/4 x 1-1/4"	2	2
4	0200CR04TR	T149	TRANSMISSION PINION (12 TOOTH) 2-3/8" X 2-1/2"	1	1
5	0200FG02TR	T151	96 TOOTH BULL GEAR 14-1/4"	1	1
6	00CHPI2100	T150	TRANSMISSION PILLOW BLOCK w/1" BEARING	2	2
7	TOCD038200	T145	HEX HEAD SCREW 3/8" x 2"	2	2
8	RNPX038GAL	T112	PLAIN WASHER, 3/8"	4	4
9	TCCS038GAL	T114	LOCK NUT HEX, 3/8"	2	2
10	0200CC01TR	T120	96 TOOTH BULL GEAR KEY 3/8" X 2"	1	1
11	0200CU02TR	T147	ENGINE KEY FOR 8HP & 13HP HONDA 1/4"	1	1
11	0200CU03TR	T147-1	ENGINE KEY FOR 5HP HONDA 3/16"	1	1
12	0200CR03TR	T1002	ELECTRIC MIXER TRANSMISSION PINION SHAFT 7-1/4" X 1" WITH 1-1/2" 8TH PINION	1	1
13	POFG3341002R	T154	2 GROOVES 8 -13 HP GAS ENGINE PULLEY 3-3/4" X 1"	1	1
13	POFG3340342R	T154-1	2 GROOVES 5 HP GAS ENGINE PULLEY 3-3/4" X 3/4"	1	1

13	POFG2120582R	T154-3	2 GROOVES ELECTRIC MOTOR PULLEY 2.5" x 5/8"	1	
13	POFG2120782R	T1000	2 GROOVES ELECTRIC MOTOR PULLEY 2-1/2" X 7/8"	1	1
13	POFG2121182R	T1001	2 GROOVES ELECTRIC MOTOR PULLEY 2-1/2" x 1-1/8"		
14	OPCQ038100	T203	8HP - 13HP ENGINE PULLEY SET SCREW 3/8" X 1"	2	2
14	OPCQ038114	T203-1	5 HP ENGINE SET SCREW 3/8" x 1-1/4"	2	2
15	TCCN038GAL	T410	HEX NUT 3/8 NC	2	2
16	POFG8001002R	T153	2 GROOVES TRANSMISSION PULLEY 8"	1	1
17	0200PL01FC	T152	MAIN SHAFT PLAIN WASHER 3/16"	1	1
18	0000BNAX37	T155	GAS ENGINE TRASMISSION BELT, AX37	2	2
19	TOCD038100	T116	HEX HEAD SCREW 3/8 x 1 NF	1	1
ENGINE ASSEMBLY BREAK DOWN					
1	202004M	T171	HONDA ENGINE GX160 WITH 6:1 REDUCER	1	
1	202009M	T304	HONDA ENGINE GX240 WITH 6:1 REDUCER	1	1
2	0201PL01MO	T165	5 HP GAS ENGINE ONLY HEIGHT RAISING BRACKET	2	
2	0201PL01MO-1	T165-1	ELECTRIC MIXER ONLY – 2" HEIGHT RAISING BRACKET	2	
3	TOCD056300	T201	5 HP ENGINE HEX HEAD SCREW 5/16" x 3"	4	
3	TOCD038200	C158	HEX HEAD SCREW, 3/8" x 2"		4
4	TCCS056GAL	T148	5 HP ENGINE HEX LOCK NUT 5/16"	4	
4	TCCS038GAL	C142	HEX LOCK NUT, 3/8		4
5	RNPX056ESP	T198	5 HP ENGINE PLAIN WASHERS 5/16" X 3/4"	4	8

Octavio Chavez

North America Sales Manager

manager@tkequip.com

www.tkequip.com



Phone Line: (956) 796-9411

Fax: (956) 462-2500

Jaime Ortiz

Parts & Customer Service

parts@btmequipment.com

service@btmequipment.com