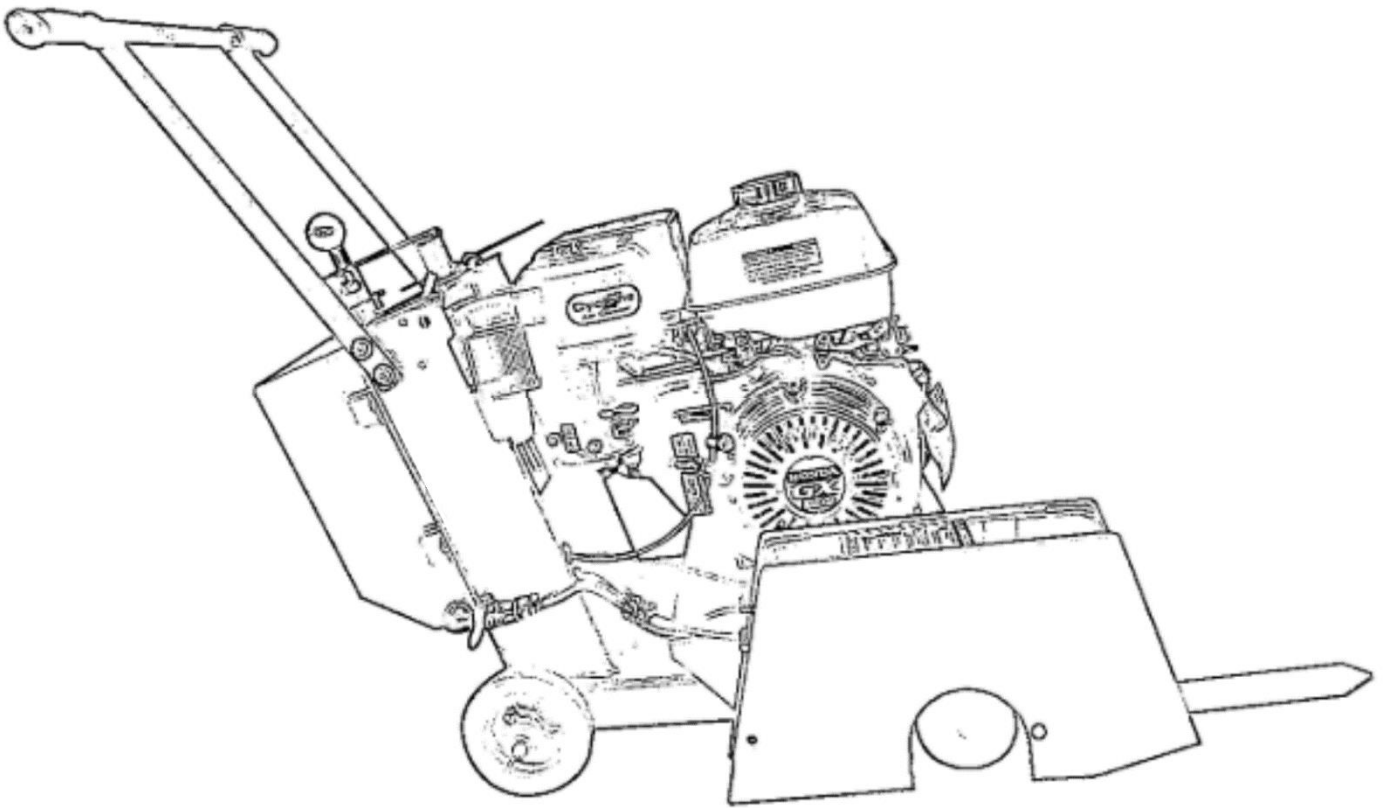
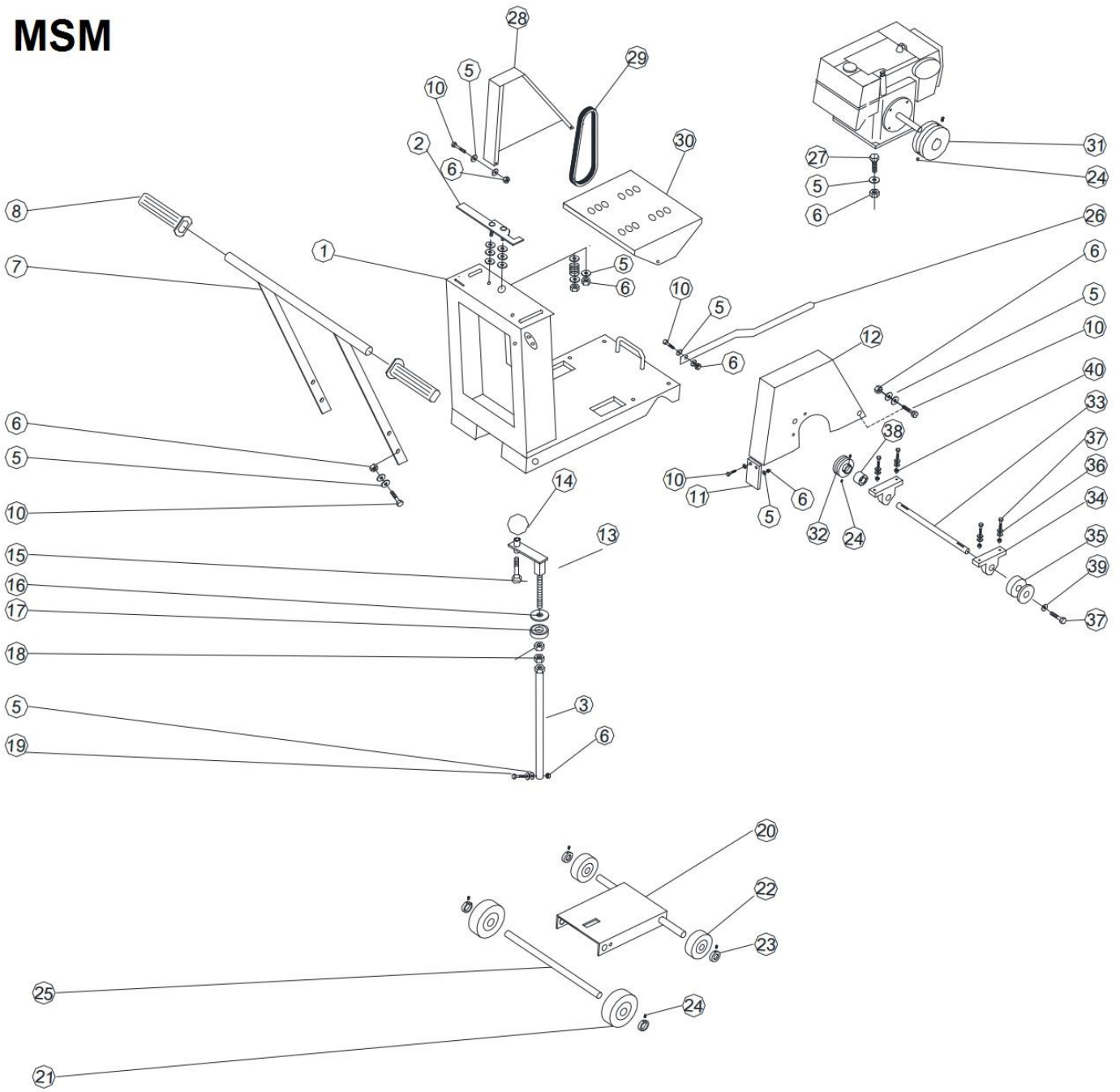


CONCRETE SAW

MSM 14"



MSM



ITEM	M.I.D. #	PART #	DESCRIPTION	MSM
1	0406CO01CH	40014-01	MSM FRAME	1
2	0406CO01FR	46036-01	HANDLE BRACKETS	1
3	0406CO02TE	40021-01	DEPTH SCREW DEPTH TUBE	1
5	RNPX038GAL	N/A	PLAIN WASHER 3/8"	46
6	TCCS038GAL	N/A	LOCK NUT 3/8"	18
7	0406CO01MA	46041-01	MSM HANDLE BAR	1
8	0000RF01MA	CG0100	HANDLE GRIP	2
10	TOCD038114	N/A	BOLT 3/8" X 1 1/4"	10
11	0405MI01GD	N/A	BLADE GUARD MUD SPASHER	1
12	0406CO01GD	40009-01	BLADE GUARD	1
13	0406CO01TE	40021-06	RAISE SCREW HANDLE (CRANK)	1
14	238202	MS0400	BALL KNOB	1
15	TOCD012212	N/A	BOLT 1/2" X 2 1/2"	1
16	RNPX034GAL	N/A	PLAIN WASHER 3/4"	1
17	0000BAN607	N/A	NICE BEARING 607	1
18	TCCN034MAQ	46035-18	3/4" ACME HEX NUT (CRANK)	2
19	TOCD038212	N/A	BOLT 3/8" X 2 1/2"	1
20	0406CO01RD	N/A	AXLE BASE	1
21	0000RD06RD	40015-44	6" O.D. X 1-1/2" WIDE SOLID RUBBER WHEEL	2
22	0000RD04RD	40015-33	4" O.D. X 2" WIDE SOLID RUBBER WHEEL	2
23	0406CR04RD	46037-14	FRONTAL WHEEL BUSHING COLLAR	2
23-1		40015-42	REAR WHEEL BUSHING COLLAR	2
24	OPFR056056	N/A	ALLEN SET SCREW, 5/16" x 5/16"	8
25	0406CR01RD	40011-12	REAR AXLE	1
26	0406SO01GC	40009-16	CUTTING POINTER GUIDE	1
27	TOCD038200	N/A	BOLT 3/8" X 2"	4
28	0406CO01GB	40010-01	BELT GUARD	1
29	0000BNVX315	N/A	BELT- VX315	3
30	0406CO01BM	40012-01	POWER ENGINE BASE	1
31	POFG3121003R	N/A	ENGINE PULLEY	1
32	POFG3121143R	N/A	CUTTING PULLEY	1
33	0406CR01CO	40013-02	BLADE SHAFT	1
34	00CHPI2114	BE0350	PILLOW BLOCK BEARING	2
35	0406CO01CO	BS0200	LOOSE COLLAR	2
36	RNPX012GAL	T105	PLAIN WASHER 1/2"	8
37	TOCD012200	N/A	BOLT 1/2 X 2 "	1
38	0406CR05CO	N/A	COLLAR SPACER	1
39	RNRX012GAL	N/A	WASHER SPRING 1/2"	1
40	TCCS012GAL	N/A	LOCK NUT 1/2"	4

Octavio Chavez

North America Sales Manager

manager@tkequip.com

www.tkequip.com



Phone line: (956) 796-9411

Fax: (956) 462 2500

Jaime Ortiz

Parts & Customer Service

parts@btmequipment.com

service@btmequipment.com