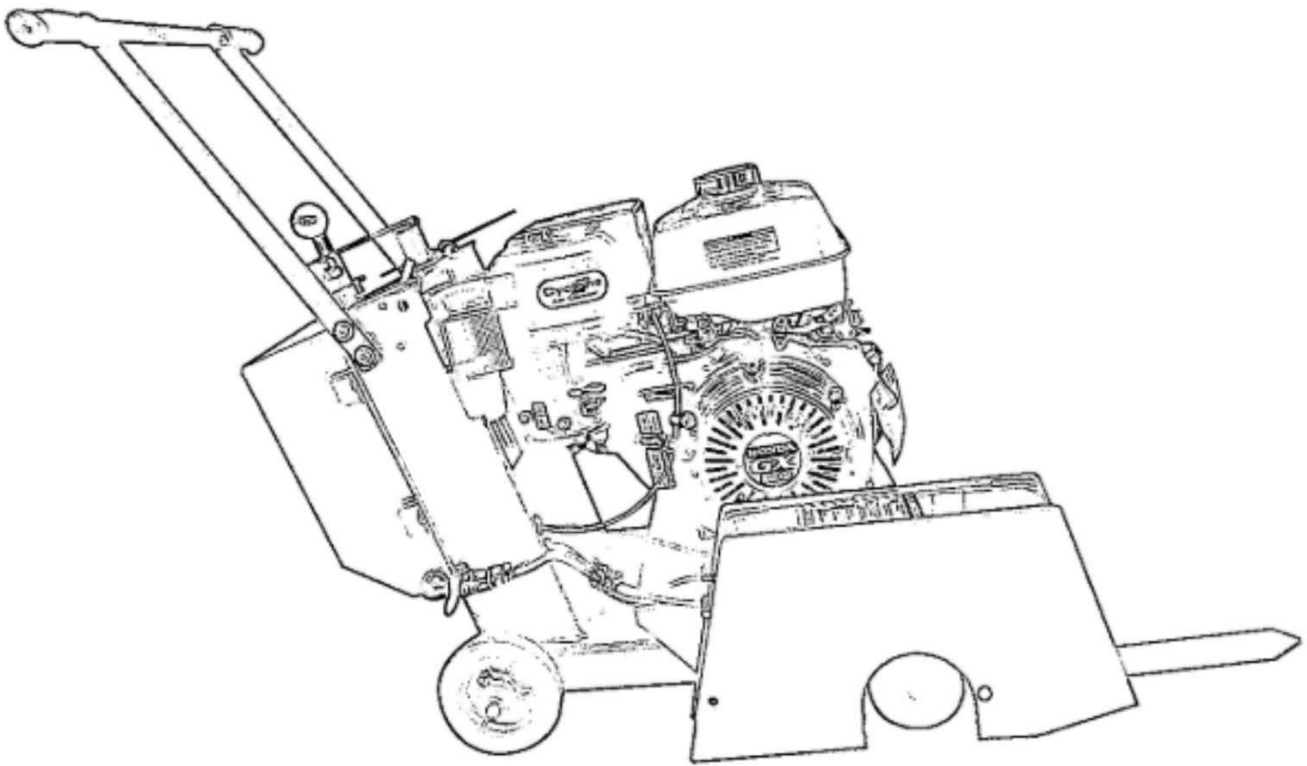
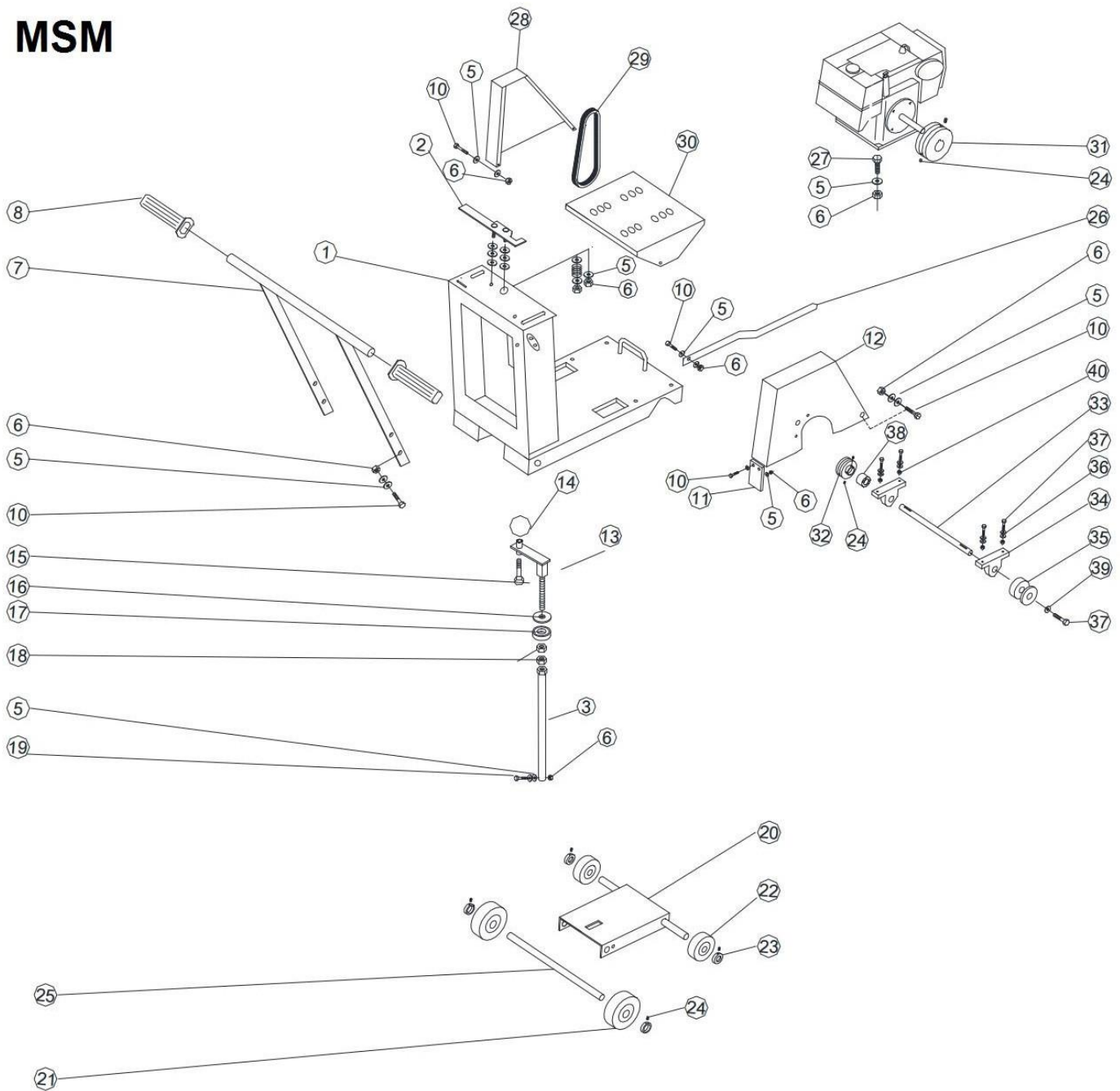


CONCRETE SAW MSM 14" (MILLER MINI)



MSM



ITEM	SKU #	PART #	DESCRIPTION	MSM	PRICE LIST
1	0406CO01CH	40014-01	MSM FRAME	1	\$760.00
2	0406CO01FR	46036-01	HANDLE BRACKETS	1	\$24.69
3	0406CO02TE	40021-01	MSM DEPTH SCREW DEPTH TUBE - 40021-01	1	\$35.00
4	0406RF01AR	CT0100	MSM THROTTLE CABLE - CT0100	1	\$25.00
5	RNPX038GAL	T112	PLAIN WASHER 3/8" - T112 - C139 - 174986 - 701032	46	\$1.08
6	TCCS038GAL	T114	HEX LOCK NUT 3/8" - 227830 - T114 - C142	18	\$1.25
7	0406CO01MA	46041-01	MSM/MCS1 HANDLE BAR - 46041-01	1	\$37.04
8	0000RF01MA	CG0100	ALL SAWS HANDLE GRIPS - CG0100	2	\$10.00

10	TOCD038114	226220	HEX BOLT HD, 3/8 X 1-1/4 HX GR5 - 226220 - 134990	10	\$1.25
11	0405MI01GD	N/A	MSM/MCS1 BLADE GUARD MUD SPASHER	1	\$10.00
12	0406CO01GD	40009-01	MSM 14" BLADE GUARD - 40009-01	1	\$80.00
13	0406CO01TE	40021-06	MSM RAISE SCREW HANDLE (CRANK) - 40021-06	1	\$35.00
14	MS0400	238202	SAW CRANK BALL KNOB - 238202	1	\$4.50
15	TOCD012212	T104	HEX BOLT HD 1/2" X 2-1/2" - T104 - C146 - 226690	1	\$1.25
16	RNPX034GAL	T108	PLAIN WASHER 3/4" X 1-1/2 - 174996 - T108 - 248277	1	\$3.02
17	0000BAN607	607V	NICE BEARING, 607V	1	\$15.00
18	TCCN034MAQ	46035-18	MSM/MCS1 ACME HEX NUT 3/4" (CRANK) - 46035-18	2	\$3.50
19	TOCD038212	T590	HEX BOLT HD, 3/8" X 2-1/2 - T590 - 226270	1	\$1.06
20	0406CO01RD	40011-02	MSM UNDERCARRIEGE - 40011-02	1	\$80.00
21	0000RD06RD	40015-44	6" X 2" REAR WHEEL MSM/JCS/JCST - 40015-44	2	\$35.00
22	0000RD04RD	40015-33	4" X 2" FRONT WHEEL FOR MSM/MCS/JCS - EEO040 - 40015-33	2	\$25.00
*	ASK FOR #	40015-48	3/4" BEARING REPLACEMENT FOR 4" & 8" WHEELS	2	\$15.00
*	ASK FOR #	40015-50	BEARING REPLACEMENT FOR 6" WHEELS	2	\$25.00
23	0406CR04RD	46037-14	FRONTAL WHEEL BUSHING COLLAR 3/4" - 46037-14	2	\$5.00
24	0406CR05RD	40015-42	REAR WHEEL BUSHING COLLAR 5/8" - 40015-42	2	\$5.00
25	0406CR01RD	40011-12	MSM REAR AXLE - 40011-12	1	\$33.00
26	0406SO01GC	40009-16	MSM CUTTING POINTER GUIDE - 40009-16	1	\$92.59
27	TOCD038200	T145	HEX BOLT HD, GR5 3/8" X 2" - 226250 - T145- C158	4	\$1.23
28	0406CO01GB	40010-01	MSM BELT GUARD - 40010-01	1	\$61.73
29	0000BN3VX315	3VX315	BELT-V 3VX315 MSM SAW	3	\$25.00
30	0406CO01BM	40012-01	MSM ENGINE MOUNTING BASE - 40012-01	1	\$65.00
31	POFG3121003R	N/A	PULLEY 3-1/2 CAL 1 X 3 GROOVES (MSM) (JCS)	1	\$55.00
32	POFG3121143R	N/A	PULLEY 3-1/2 CAL 1-1/4 X 3 GROOVES (MSM) (MCS1)	1	\$55.00
33	0406CR01CO	40013-02	MSM BLADE SHAFT - 40013-02	1	\$33.00
34	00CHPI2114	BE0350	1-1/4" PILLOW BLOCK W/ BEARING - BE0350	2	\$20.00
35	0406CR02CO	40013-06	MSM/JCST INTERNAL BLADE COLLAR 3-1/2 x 5/8" (WITH PIN)	1	\$53.09
#	ASK FOR #	46033-07	MSM/MCS1 ALLOY DOWEL PIN FOR OUSIDE COLLAR	1	\$3.00
36	RNPX012GAL	T105	PLAIN WASHER 1/2" - T105 - C172 - 174470	8	\$2.12
37	TOCD012200	N/A	HEX BOLT HD 1/2" X 2" HX GR.5 NC BLK - 226670	1	\$1.25
38	0406CR05CO	N/A	MSM COLLAR SPACER	1	\$12.00
39	RNRX012GAL	T112	SPRING WASHER 1/2" - C145 - 176250 - T568 - T112	1	\$1.08
40	TCCS012GAL	N/A	HEX LOCK NUT 1/2" - T106 - 227854 - C304	4	\$1.25
41	OPFR056056	N/A	SET SCREW, 5/16 X 5/16	8	\$1.70
42	ASK FOR #	40014-03	MSM DASH DECAL - 40014-03	1	\$15.00
43	TOCP036034	N/A	FILLISTER BOLT, 3/16" X 3/4"	2	\$6.00
44	RNPX036GAL	N/A	PLAIN WASHER, 3/16"	2	\$1.08
45	TCCS036GAL	N/A	HEX LOCK NUT, 3/16"	2	\$1.25
46	0405CC01CO	T147	KEY 1/4 - T147 - 0405CC01CO	2	\$1.27
47	0200KI01GA	T195-1	ENGINE N.O KILL SWITCH RED (NO HARNESS) - 816769AS - 112500 -	1	\$18.00
47	0200KI01GA	T193	ENGINE KILL SWITCH ASSEY RED (WITH HARNESS) 701007 - T193	1	\$29.00
48	0406CR03CO	40013-03	MSM/JCST EXTERNAL BLADE COLLAR 3-1/2 X 1" (WITH HOLE)	1	\$53.09
49	ASK FOR #	40013-09	MSM/MCS1 BLADE WRENCH	1	\$20.00
50	202007M	202007M	ENGINE HONDA 8 HP GX240UT2 WITH CYCLONE FILTER	1	\$750.00
50	202014M	202014M	ENGINE HONDA 13 HP GX390UQAE6 WITH CYCLON FILTER	1	\$1,005.00
*	TANK MSM	N/A	MSM STEEL WATER TANK ASSEY W/CAP	OPT	\$60.00

www.tkequip.com
salesmanager@tkequip.com
sales@tkequip.com
Office: 956-796-9411
Tel: 956-740-3740
Fax: 956-462-2500