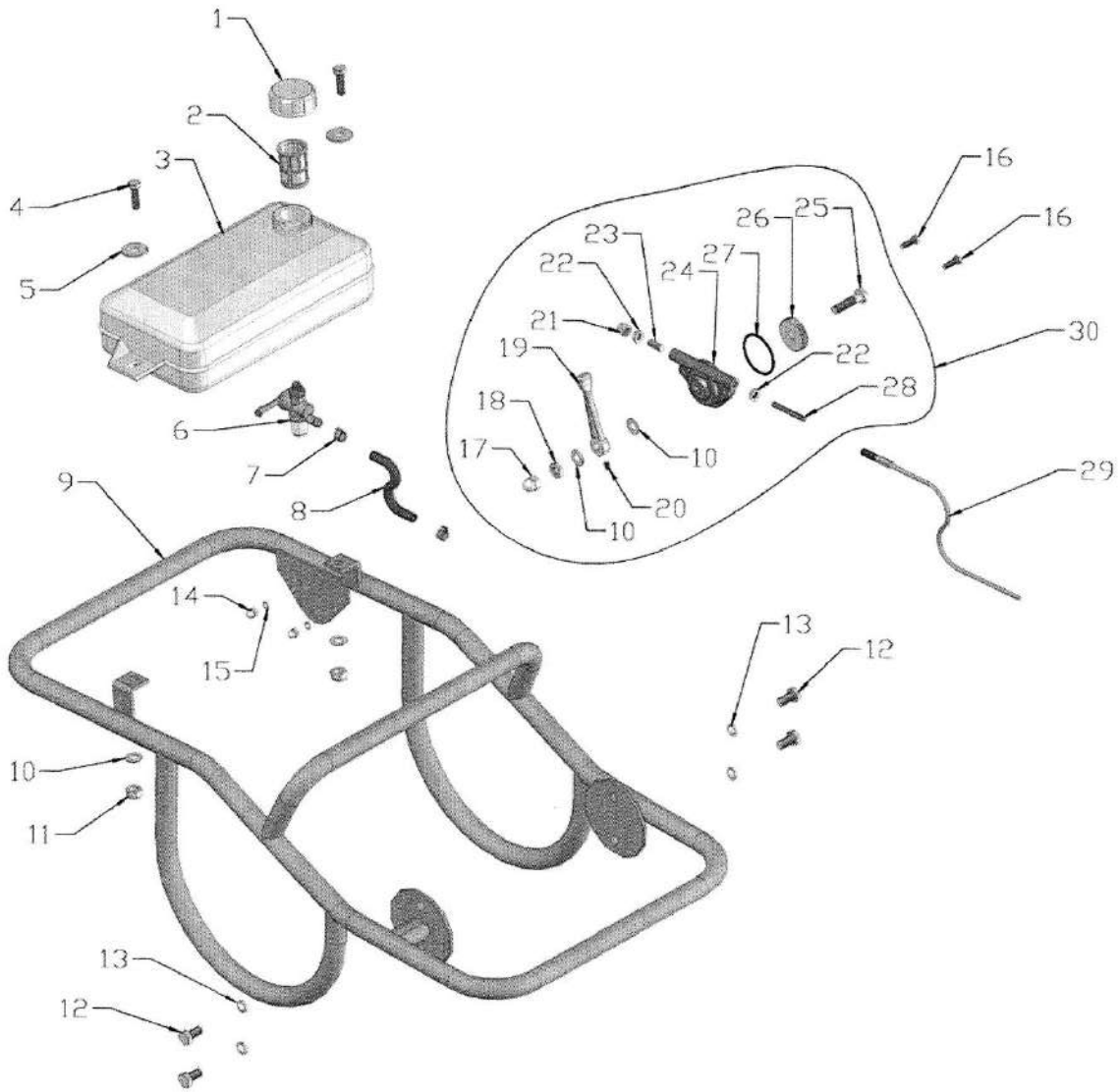




RAM7B

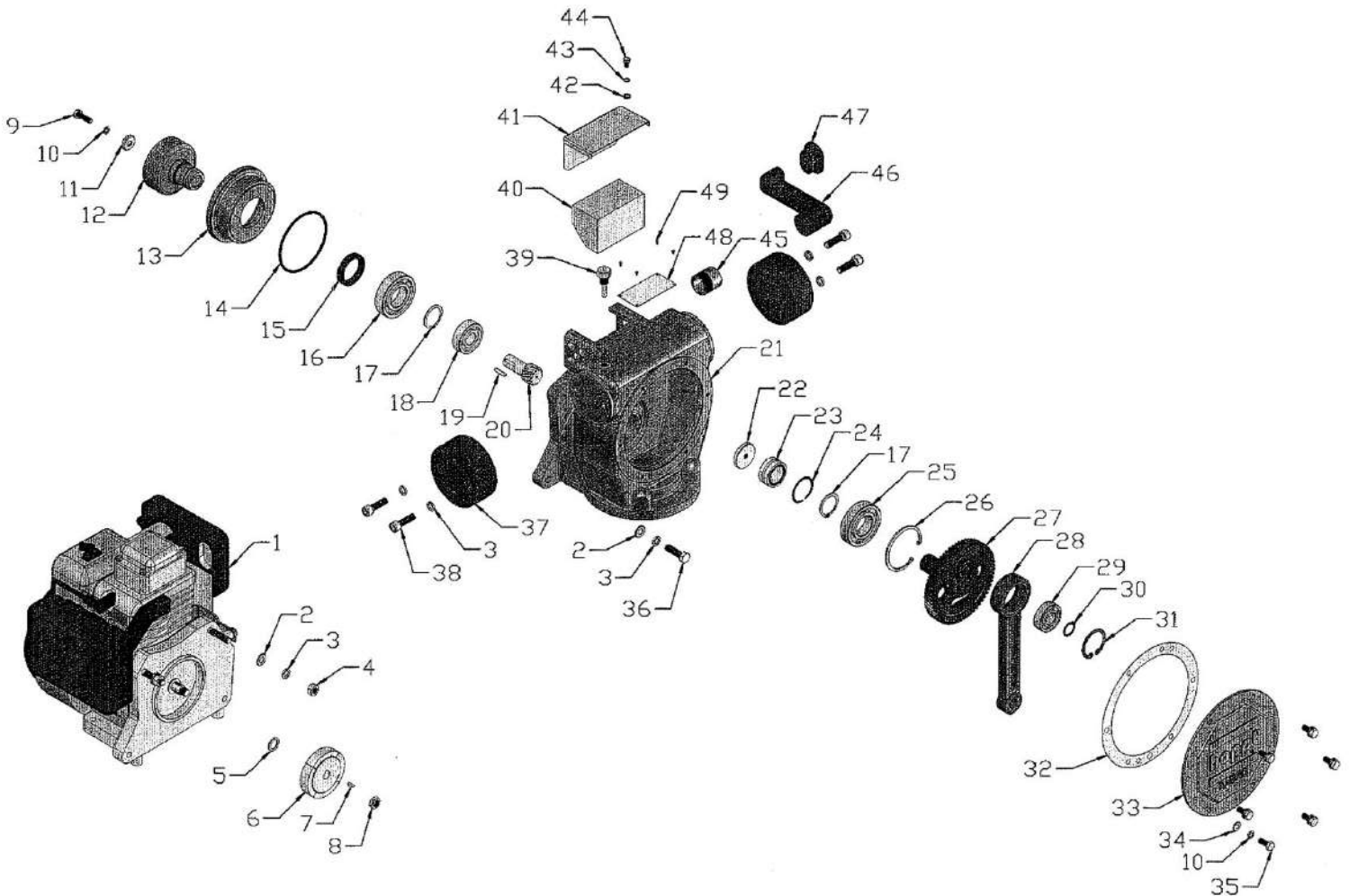


REV.14102014



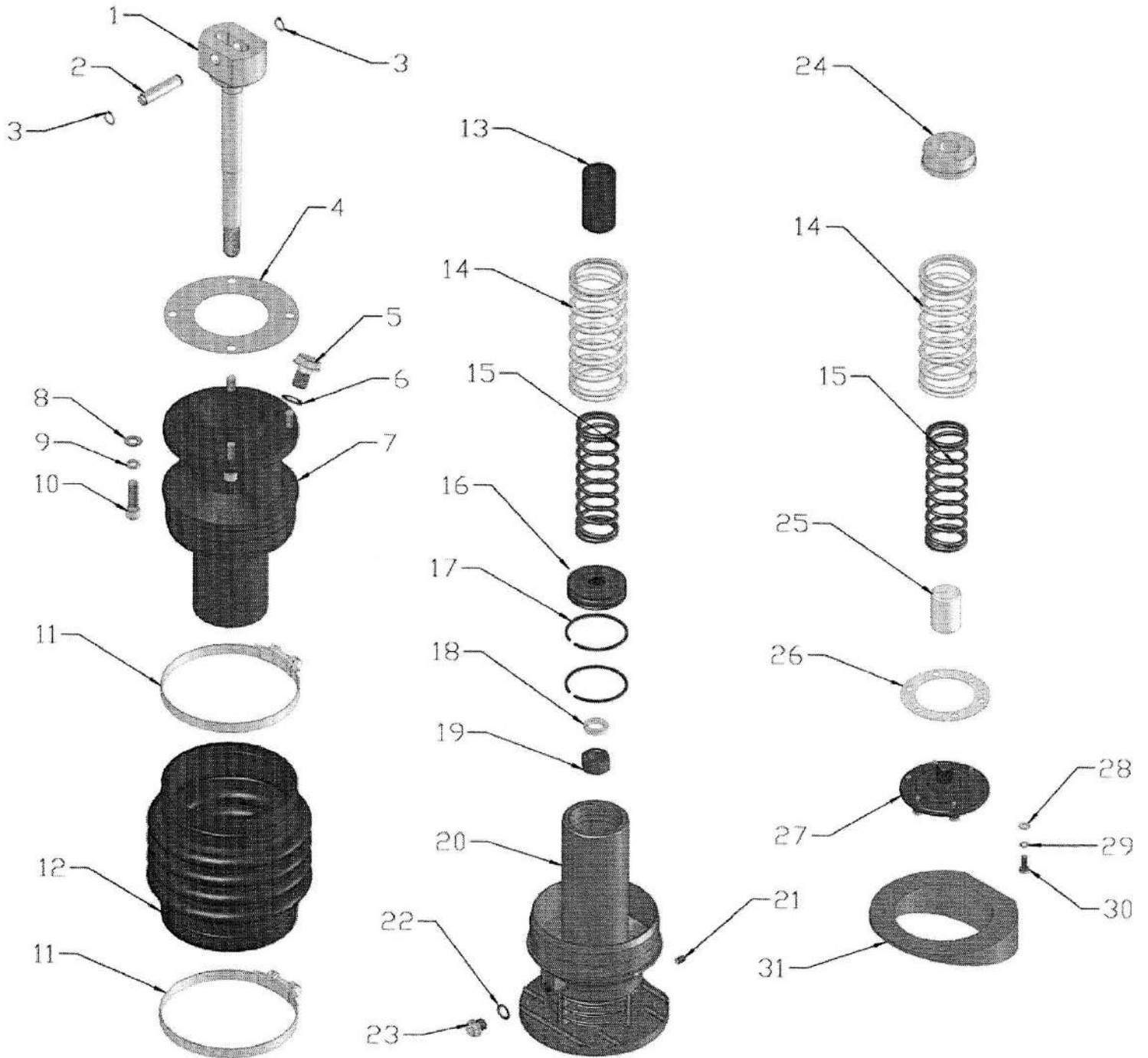
ITEM	PART NO.	DESCRIPTION	RAM7B
1-1	010112	FUEL TANK CAP	1
1-2	010110	STRAINER	1
1-3	010109	FUEL TANK	1
1-4	FN.B-M10X30-8.8	BOLT	2
1-5	WOD.W10	LARGE WASHER	2
1-6	000020	FUEL VALVE	1
1-7	000021	HOSE BAND	2
1-8	000022	FUEL HOSE	1
1-9	010000	OPERATION HANDLE	1
1-10	FN.W10	WASHER	4
1-11	IN.N-M10	CHECK NUT	2
1-12	B-M10X20-8.8	BOLT	4
1-13	SPG.W10	SPRING WASHER	4
1-14	HC.N-M6	CAP NUT	2

1-15	SPG.W6	SPRING WASHER	2
1-16	FN.B-M6X20-8.8	BOLT	2
1-17	HC.N-M10	CAP NUT	1
1-18	FNL.N-M10	THIN NUT	1
1-19	70ND-060000	THROTTLE LEVER	1
1-20	FHSS.S-M6X8	SOCKET HEAD SCREW	1
1-21	HC.N-M8	CAP NUT	1
1-22	FNL.N-M8	THIN NUT	2
1-23	FHSS.S-M8X20	SOCKET HEAD SCREW	1
1-24	70ND-060001	THROTTLE BODY	1
1-25	70ND-060003	BOLT	1
1-26	70ND-060002	THROTTLE GEAR	1
1-27	W04-45X3	O-RING	1
1-28	70ND-060004	SLIDER	1
1-29	W06-S04-L650X850	THROTTLE CABLE	1
1-30	70ND-010018	THROTTLE LEVER ASY	1

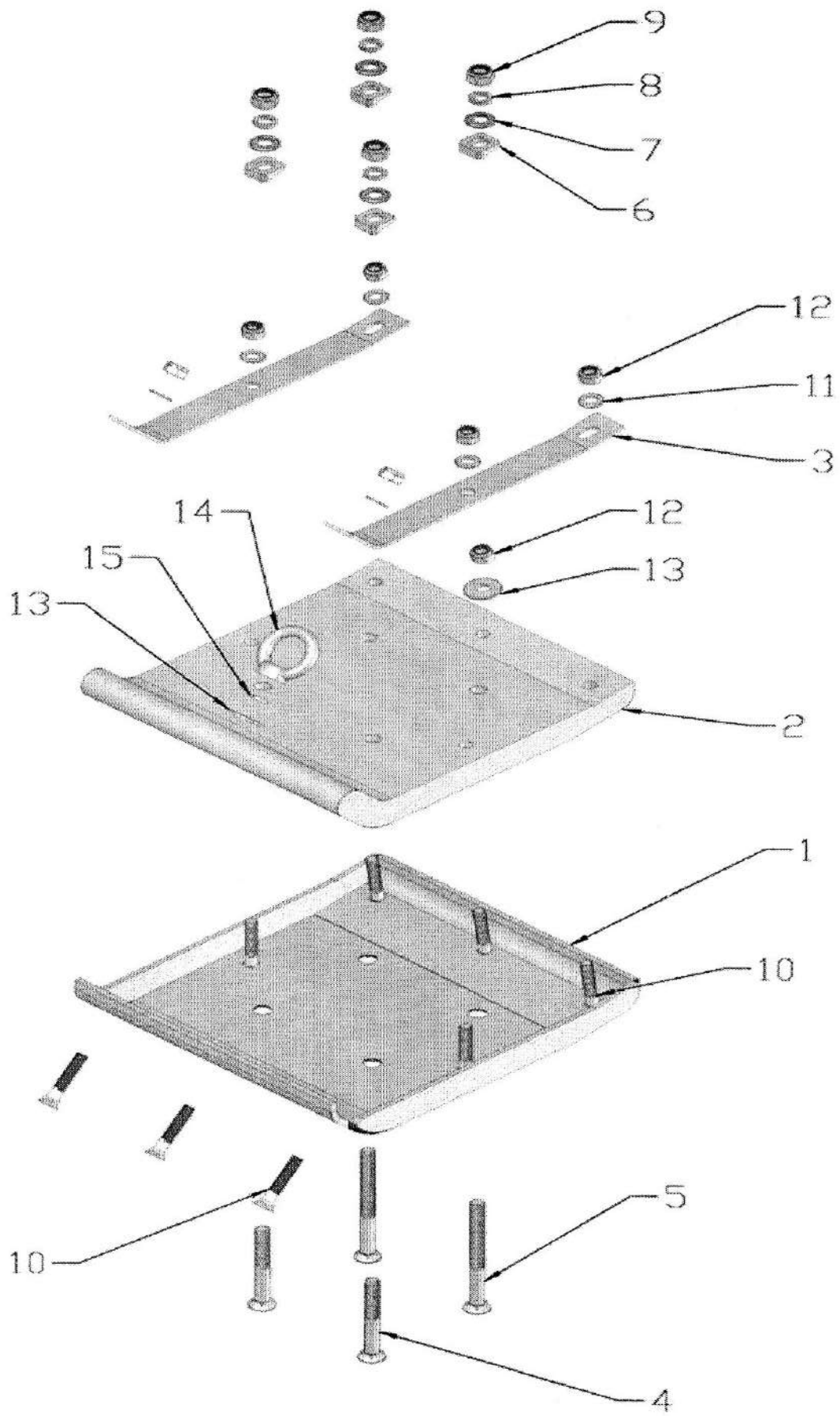


ITEM	PART NO.	DESCRIPTION	RAM7B
2-1	W05-EH12-2D	ENGINE	1
2-2	FN.W10	WASHER	4
2-3	SPG.W10	SPRING WASHER	8
2-4	FN.N-M10	NUT	2
2-5	80-0997	WASHER	1
2-6	W18-C812A	CENTRIFUGAL CLUTCH ASSY	1
2-7	WKEY-4X4X13	WOODRUFF KEY	1
2-8	GB6173- M12X1.25	THIN NUT	1
2-9	FN.B-M8X25-8.8	BOLT	1
2-10	SPG.W8	SPRING WASHER	7
2-11	020129	LOCK WASHER	1
2-12	020119	CLUTCH HOUSING	1
2-13	020122	SPACER	1
2-14	W04-96X3.5	O RING	1
2-15	W03-52X40X8	OIL SEAL	1
2-16	W01-6207Z-J	BEARING	1
2-17	CS.RG35	EXTERNAL CIRCLIP	2
2-18	W01-6304J	BEARING	1
2-19	KEY.A-5X5X22	KEY	1
2-20	020124	PINION	1
2-21	020116	GEAR CASE	1
2-22	020101	WASHER	1
2-23	W01-TAF324220	BEARING	1 SET
	W01-LRT283220	BEARING	1 SET
2-24	020112	INTERNAL CIRCLIP	1
2-25	W01-6207Z-J	BEARING	1
2-26	CH.RG72	INTERNAL CIRCLIP	1
2-27	020115	CRANK GEAR	1
2-28	020102	CONECTING ROD	1
2-29	W01-6204-J	BEARING	1
2-30	CS.RG20	EXTERNAL CIRCLIP	1
2-31	CH.RG47	INTERNAL CIRCLIP	1
2-32	020114	PACKING FRONT COVER	1
2-33	010103	FRONT COVER	1
2-34	FN.W8	WASHER	6
2-35	FN.B-M8x20-8.8	BOLT	6
2-36	FN.B-M10x35- 8.8	BOLT	2
2-37	020125	SHOCK ABSORBER	2
2-38	HS.B-M10x35	SCREW	4
2-39	020106	BREATHER BOLT	1
2-40	020133	AIR CLEANER	1

2-41	020145	COVER, AIR CLEANER	1
2-42	FN.W6	WASHER	1
2-43	SPG.W6	SPRING WASHER	1
2-44	FN.B-M6x10-8.8	BOLT	1
2-45	020131	CONNECTOR,GEAR CASE	1
2-46	020148	INTAKE PIPE	1
2-47	02146	CONNECTOR,ENGINE	1
2-48	80-0409A	NAMEPLATE	1
2-49	K.RVT-2.5x10	RIVET	4



ITEM	PART NO.	DESCRIPTION	RAM7B
03-1	020228	PISTON ROD	1
03-2	020215	PISTON PIN	1
03-3	CS.RG16	EXTERNAL CIRCLIP	2
03-4	020205	PACKING, GUIDE CYLINDER	1
03-5	HHOS.B-M20x1.5	HEXAGON HEAD PLUG	1
03-6	GB97.1-M20	CUPRUM WASHER	1
03-7	020206	GUIDE CYLINDER (TOP)	1
03-8	FN.W12	WASHER	4
03-9	SPG.W12	SPRING WASHER	4
03-10	HS.B-M12x45	BOLT	4
03-11	021000	BELLOW HOOP	2
03-12	020216	BELLOW	1
03-13	020219	STOPPER (MIDDLE)	1
03-14	020202	OUTER SPRING	2
03-15	020201	INNER SPRING	2
03-16	020210	PISTON	1
03-17	020211	PISTON RING	2
03-18	SPG.W22	SPRING WASHER	1
03-19	GB6171-M22x1.5	NUT	1
03-20	020222	GUIDE CYLINDER (BOTTOM)	1
03-21	HSHOS.B-ZG1/8	HEXAGONAL SOCKET HEAD PLUG	1
03-22	GB97.1-M16	CUPRUM WASHER	1
03-23	HHOS.B-M16x1.5	HEXAGON HEAD PLUG	1
03-24	020217	BUSH	1
03-25	020223	STOPPER (BOTTOM)	1
03-26	020224	PACKING, FOOT PLATE	1
03-27	020225	FLANGE	1
03-28	FN.W8	WASHER	6
03-29	SPG.W8	SPRING WASHER	6
03-30	FN.B-M8x20-8.8	BOLT	6
03-31	030102	FOOT PLATE	1



ITEM	PART NO.	DESCRIPTION	RAM7B
04-1	030105	RAMMER SHOE STEEL PLATE	1
04-2	030104	RAMMER SHOE WOODEN PLATE	1
04-3	030101	RAMMER SHOE CLAMP PLATE	2
04-4	FSN.B-M12x90	SUNK HEAD BOLT	2
04-5	FSN.B-M12x115	SUNK HEAD BOLT	2
04-6	030103	WASHER	4
04-7	FN.W12	WASHER	4
04-8	SPG.W12	SPRING WASHER	4
04-9	IN.N-M12	CHECK NUT	4
04-10	FSN.B-M10x55	SUNK HEAD BOLT	8
04-11	FN.W10	WASHER	6
04-12	IN.N-M10	CHECK NUT	7
04-13	WOD.W10	LARGE WASHER	2
04-14	EYE.N-M10	EYE NUT	1
04-15	SPG.W10	SPRING WASHER	1