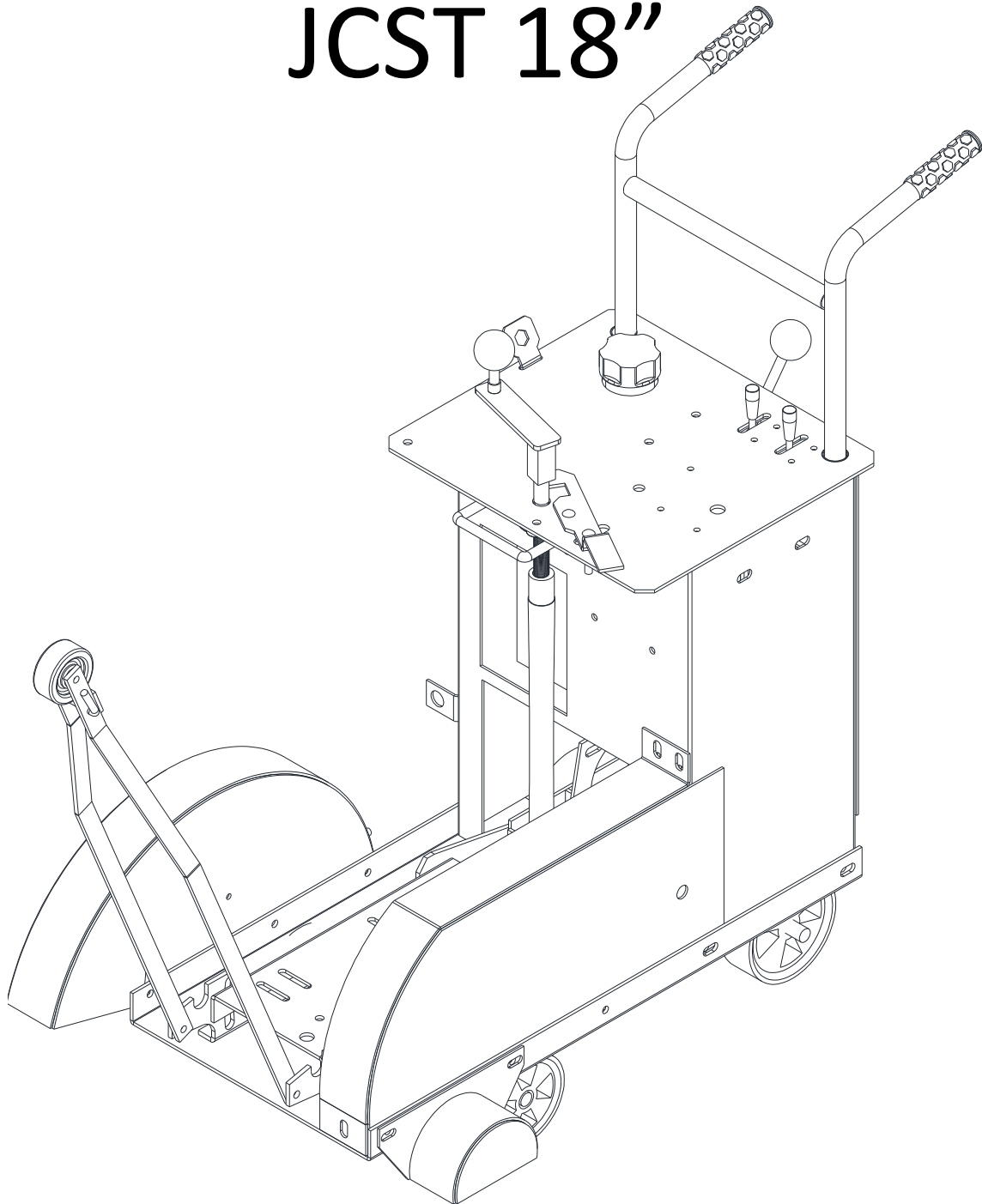
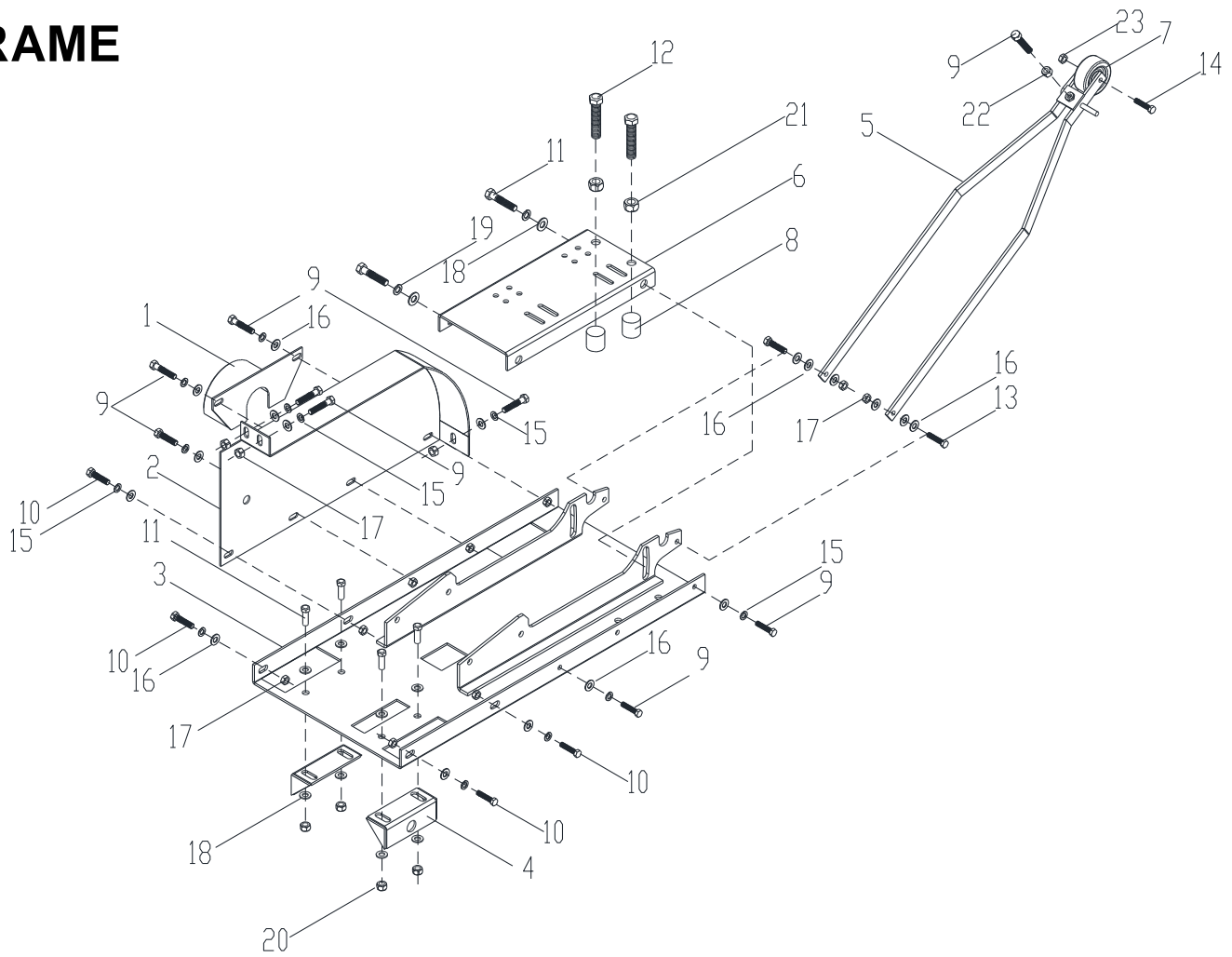


# SELF PROPELLED CONCRETE SAW JCST 18"

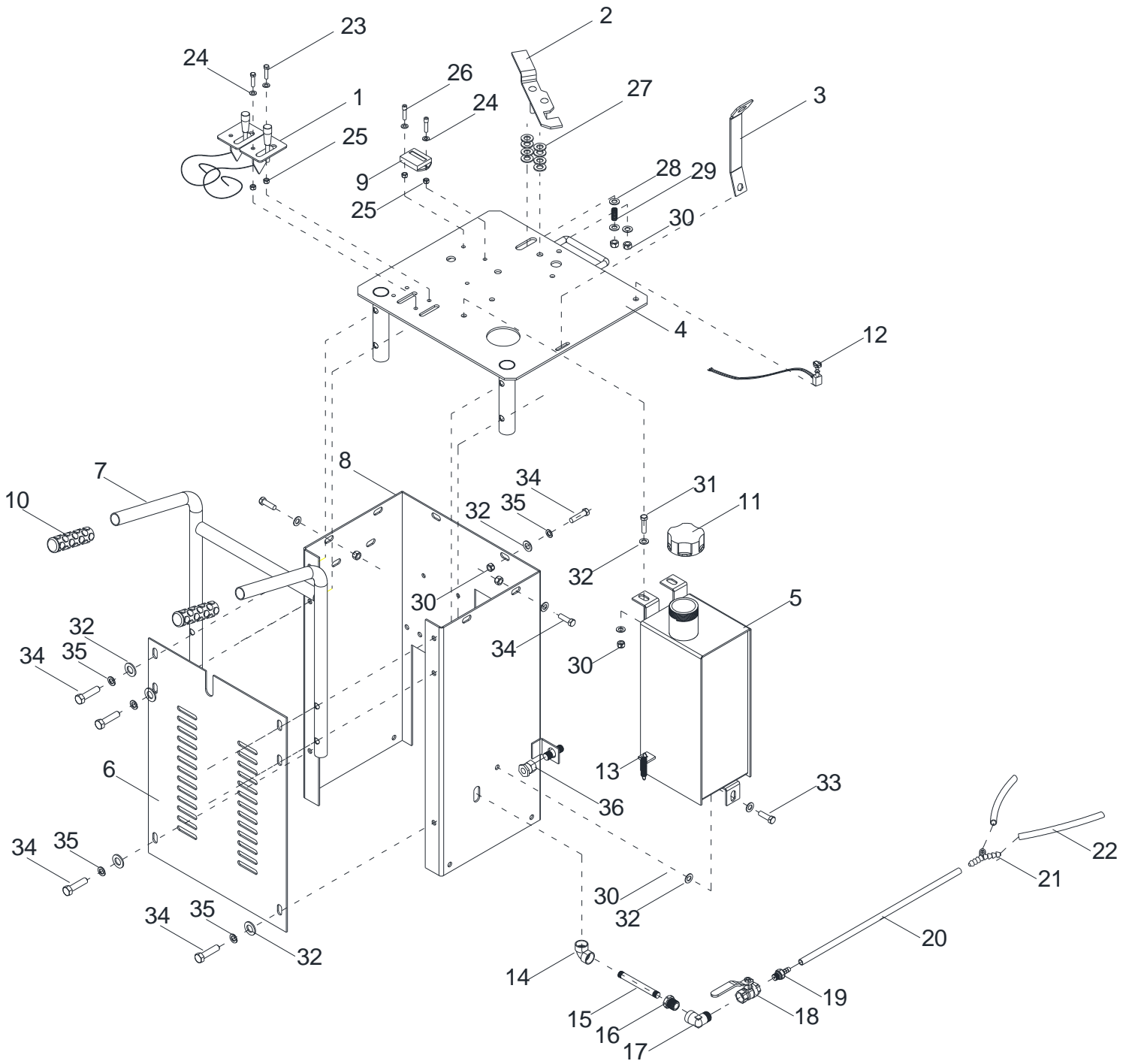


# FRAME



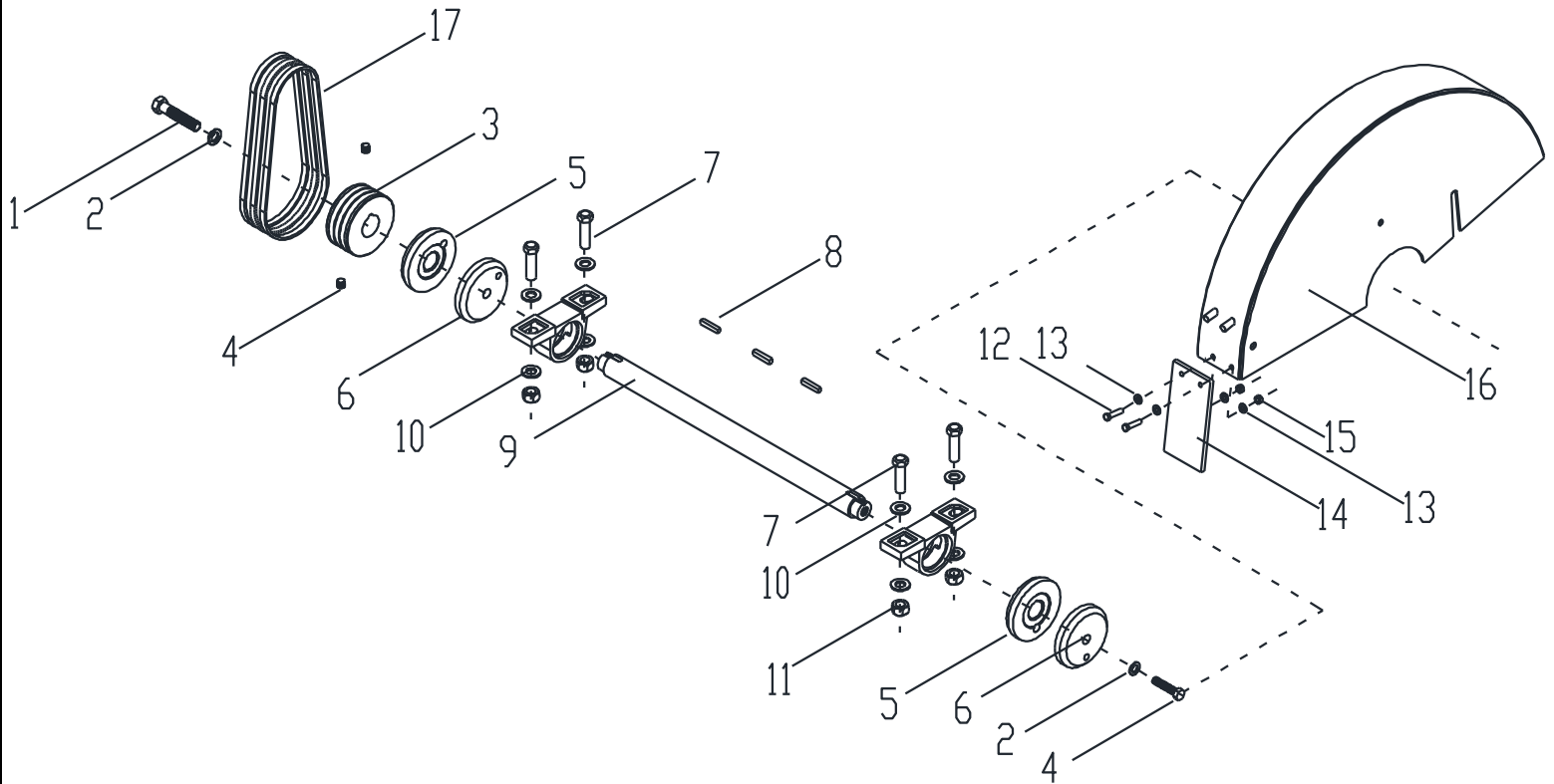
ITEM	M.I.D. #	PART #	DESCRIPTION	JCST (PROP)	PRICE LIST
1	0413CO01TF	N/A	SHAFT GUARD JCST	1	\$20.00
2	0413CO01GB	N/A	BELT GUARD	1	\$60.00
3	0413CO01CH	N/A	FRAME JCST	1	\$500.00
4	0400CO02RD	N/A	PILLOW BLOCK BRAKET	2	\$21.00
5	0413CO01GC	N/A	CUTTER GUIDE JCST	1	\$90.00
6	0413PL01BM	N/A	ENGINE BASE	1	\$65.00
7	0000RF01GC	N/A	WHEEL 3" X 1"	1	\$10.00
8	0413NY01BM	N/A	SHIELD NYLAMID	2	\$3.00
9	TOCD038114	N/A	BOLT, HEXHD 3/8 X 1-1/4"	8	\$1.06
10	TOCD038100	N/A	SCREW 3/8" X 1"	4	\$1.06
11	TOCD012112	N/A	BOLT HEXHD, 1/2" X 1-1/2"	8	\$1.54
12	TOCD012500	N/A	BOLT HEXHD, 1/2" X 5"	2	\$3.00
13	TOCD038112	N/A	BOLT HEXHD, 3/8" X 1-1/2"	2	\$1.06
14	TOCD056212	N/A	BOLT HEXHD 5/16" X 2-1/2"	1	\$1.54
15	RNRX038GAL	N/A	SPRING WASHER 3/8"	12	\$1.06
16	RNPX038GAL	N/A	PLAIN WASHER 3/8"	18	\$1.06
17	TCCS038GAL	N/A	LOCK NUT, 3/8"	9	\$1.23
18	RNPX012GAL	N/A	PLAIN WASHER 1/2"	12	\$1.06
19	RNRX012GAL	N/A	SPRIMG WASHER 1/2"	4	\$1.23
20	TCCS012GAL	N/A	LOCK NUT, 1/2"	4	\$1.06
21	TCCN012GAL	N/A	NUT 1/2"	2	\$1.06
22	TCCN038GAL	N/A	NUT 3/8"	1	\$1.23
23	TCCS056GAL	N/A	LOCK NUT 5/16"	1	\$1.23

# WATER TANK



ITEM	M.I.D. #	PART #	DESCRIPTION	JCST (PROP)	PRICE LIST
1	0413CO03TA	N/A	LEVER	2	\$6.00
2	0400CO01FR	N/A	RAISE SCREW BRAKE	1	\$24.69
3	0406LA01TE	N/A	WRENCH	1	\$10.00
4	0413CO01CA	N/A	TANK TOP COVER	1	\$45.00
5	0413CO01TA	N/A	WATER TANK	1	\$35.00
6	0413CO02TA	N/A	BACK TANK TOP	1	\$18.00
7	0413CO01MA	N/A	HANDLE	1	\$22.00
8	0413LA01CA	N/A	CONSOLE WELDMENT	1	\$80.00
9	0000RF01CA	N/A	TACHOMETER	1	\$33.00
10	0000RF01MA	N/A	HANDLE GRIP	2	\$4.32
11	0000RF08TA	N/A	2-1/4 RATCHET CAP NO VENT W/ TETHER	1	\$12.00
12	0200KI01GA	T193	PUSH STOP W/ ENGINE HARNESS	1	\$29.00
13	0000RF09TA	N/A	SPRING 7/16"	1	\$12.00
14	0000RF07TA	N/A	ELBOW 90 DEG 1/4"	1	\$5.00
15	0000RF10TA	N/A	NIPL 1/4" X 4"	1	\$3.00
16	0000RF11TA	N/A	REDUCTION BUSHING 14" X 1/2"	1	\$4.00
17	0000RF01TA	N/A	ELBOW FITTING 90 DEG 1/2"	1	\$7.30
18	0000RF02TA	N/A	WATER BALL VALVE 1/2"	1	\$19.75
19	0000RF12TA	N/A	DOWEL 1/2" - 1/4"	1	\$6.00
20	0413RF01SA	N/A	PLASTIC HOSE 1/4" X 29-1/2"	1	\$20.00
21	0401RF01SA	N/A	"Y" CONNECTOR 1/4" NYLON	1	\$2.00
22	0413RF02SA	N/A	PLASTIC HOSE 1/4" X 17-3/4"	2	\$15.00
23	TOCD014034	N/A	BOLT HEX HD 1/4" X 3/4"	2	\$1.23
24	RNPX014GAL	N/A	PLAIN WASHER 1/4"	4	\$1.06
25	TCCS014GAL	N/A	LOCK NUT, 1/4"	4	\$1.06
26	TOCT014112	N/A	BOLT ALLEN HD 1/4" X 1-1/2"	2	\$1.23
27	RNPX012GAL	N/A	PLAIN WASHER 1/2"	8	\$1.06
28	RNPX038NOR	N/A	PLAIN WASHER 3/8"	3	\$1.06
29	0000RF01FR	N/A	SPRING 3/8" X 1"	1	\$3.00
30	TCCS038GAL	N/A	LOCK NUT, 3/8"	13	\$1.23
31	TOCD038114	N/A	BOLT, HEXHD 3/8 X 1-1/4"	2	\$1.06
32	RNPX038GAL	N/A	PLAIN WASHER 3/8"	16	\$1.06
33	TOCD038034	N/A	BOLT HEX HD 3/8" X 3/4"	1	\$1.23
34	TOCD038100	N/A	SCREW 3/8" X 1"	10	\$1.06
35	RNRX038GAL	N/A	SPRING WASHER 3/8"	10	\$1.06
36	0000RF13TA	N/A	SWIVEL ADAPTER 1/2" NTP (F) X 3/4" GHT (F)	1	\$10.00

# BLADE SHAFT/GUARD

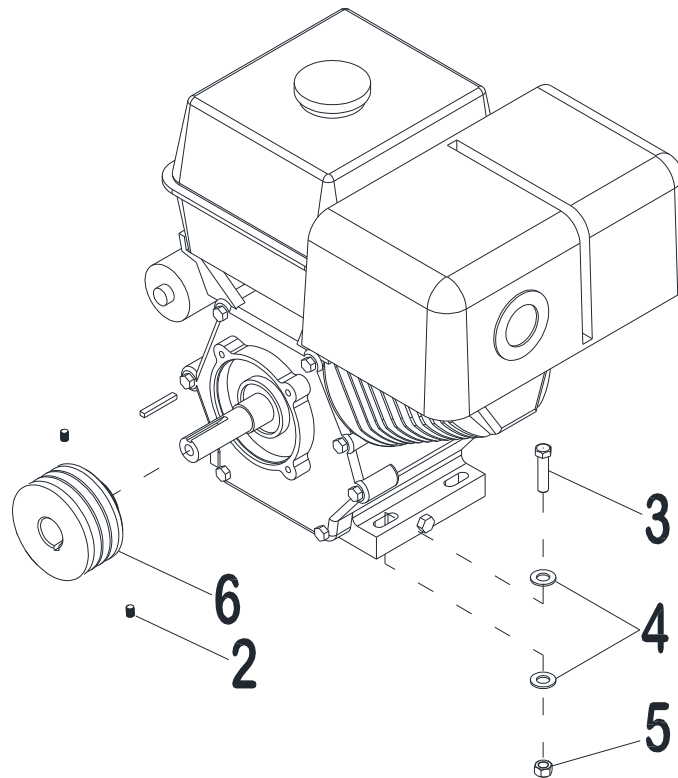


ITEM	M.I.D. #	PART #	DESCRIPTION	JCST (PROP)	PRICE LIST
1	TOCD012112	N/A	BOLT HEXHD, 1/2" x 1-1/2"	1	\$1.54
2	RNRX012GAL	N/A	SPRING WASHER 1/2"	2	\$1.23
3	POFG3121003R	N/A	BLADE SHAFT PULLEY, 3-1/2" x 1" 3 GROVES	1	\$23.77
4	OPFR056056	N/A	SET SCREW, 5/16" x 5/16"	2	\$0.49
5	0406CR03CO	N/A	OUTSIDE BLADE COLLAR W/PIN	2	\$10.00
6	0406CR02CO	N/A	INSIDE BLADE COLLAR	2	\$8.00
7	TOCD012200	N/A	BOLT 1/2 X 2 "	1	\$2.00
8	0400CU01CO	N/A	KEY 1/4" x 2"	1	\$0.93
9	0413CR01CO	N/A	BLADE SHAFT JCST	1	\$25.00
10	RNPX012GAL	N/A	PLAIN WASHER 1/2"	8	\$0.25
11	TCCS012GAL	N/A	LOCK NUT, 1/2"	4	\$1.06
12	TOCD014100	N/A	BOLT HEXHD, 1/4" x 1"	2	\$1.06
13	RNPX014NOR	N/A	PLAIN WASHER, 1/4"	4	\$0.30
14	0000RF02GD	N/A	BLADE GUARD MUD SPASHER	1	\$10.00
15	TCCS014GAL	N/A	LOCK NUT, 1/4"	2	\$1.06
16	0413CO01GD	N/A	BLADE GUARD JCST	1	\$52.00
17	0000BN3VX315	N/A	BELT - 3VX315	3	\$25.00



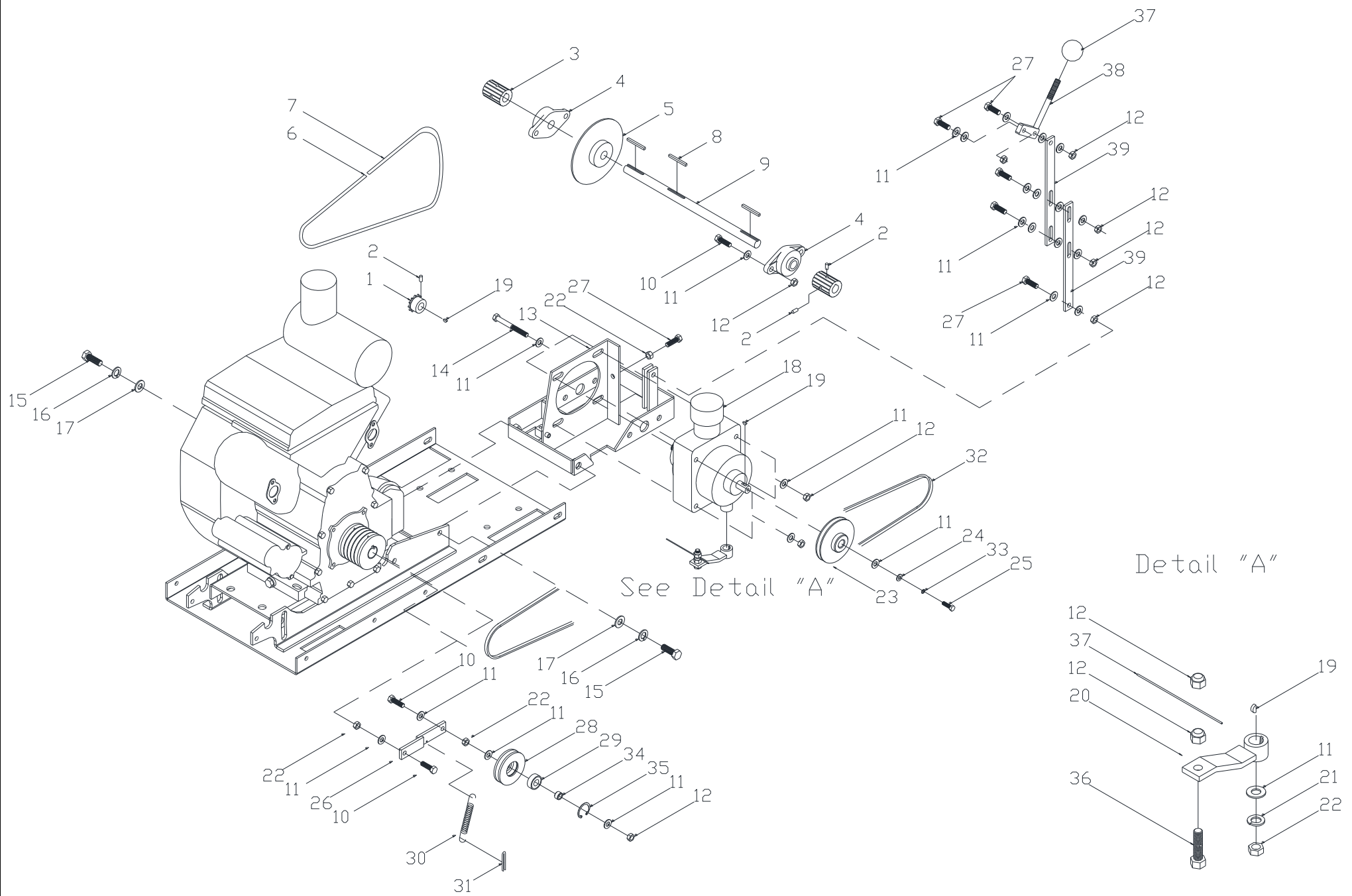
ITEM	M.I.D. #	PART #	DESCRIPTION	JCST (PROP)	PRICE LIST
1	0000RF07RD	N/A	BALL KNOB	1	\$5.00
2	TOCD012212	N/A	BOLT HEX HD 1/2" X 2-1/2"	1	\$2.23
3	0413CO01RD	N/A	GUIDE SHAFT JCST	1	\$5.00
4	0413CO01TE	N/A	RAISING SCREW TUBE JCST	1	\$25.00
5	RNPX034GAL	N/A	PLAIN WASHER 3/4"	9	\$3.00
6	0413CO02TE	N/A	RAISING SCREW TUBE JCST	1	\$40.00
7	SC18112NOR	N/A	PIN COTTER, 1/8" x 1/2"	4	\$0.50
8	0000RD05RD	N/A	WHEEL 5" X 2"	2	\$15.00
9	RNPX012NOR	N/A	PLAIN WASHER 1/2"	2	\$1.23
10	RNRX012GAL	N/A	SPRING WASHER 1/2"	2	\$1.23
11	TOCD012100	N/A	BOLT HEXHD, 1/2" X 1"	2	\$1.48
12	0000RD06RD	N/A	WHEEL 6" X 2"	2	\$20.00
13	0401CO01RD	N/A	AXLE ASSEY JCS	1	\$80.00
14	OPFR056056	N/A	SET SCREW, 5/16 X 5/16"	1	\$0.30

## ENGINE



ITEM	M.I.D. #	PART #	DESCRIPTION	JCST (PROP)	PRICE LIST
1	202014M	N/A	HONDA ENGINE 13HP W/ CYCLON FILTER	1	\$883.33
2	OPFR056056	N/A	SET SCREW, 5/16 X 5/16"	2	\$0.30
3	TOCD038200	N/A	BOLT 3/8" X 2"	4	\$1.23
4	RNPX038GAL	N/A	PLAIN WASHER 3/8"	8	\$1.06
5	TCCS038GAL	N/A	LOCK NUT, 3/8"	4	\$1.23
6	POFG3121003R	N/A	BLADE SHAFT PULLEY, 3-1/2" x 1" 3 GROVES	1	\$23.77

# TRANSMISSION ASSY





ITEM	M.I.D. #	PART #	DESCRIPTION	JCST (PROP)	PRICE LIST
1	0000RF01TR	N/A	SPROCKET 35B12	1	\$25.00
2	OPCQ014014	N/A	SCR 1/4" - 20 X 1/4" SET SCREW	3	\$1.06
3	0407CO01RO	N/A	ROLLER	2	\$20.00
4	00CHPA2034	N/A	PILLOW BLOCK 3/4"	2	\$40.74
*	0000RF02TR	N/A	BEARING 3/4"	1	\$23.00
5	0000RF03TR	N/A	SPROCKET 35B48	1	\$30.00
7	0000RF04TR	N/A	CHAIN #35	1	\$28.00
8	0407CU01TR	N/A	KEY 3/16" X 2"	3	\$1.23
9	0407CO01TR	N/A	TRANSMISSION JACKSHAFT	1	\$22.00
10	TOCD038200	N/A	HEX BOLT 3/8" X 2"	2	\$1.23
11	RNPX038GAL	N/A	PLAIN WASHER 3/8"	24	\$1.06
12	TCCS038GAL	N/A	LOCK NUT, 3/8"	5	\$1.23
13	0407CO02TR	N/A	TRANSMISSION WELDMENT JCST	1	\$45.00
14	TOCD038300	N/A	HEX BOLT 3/8" X 3"	1	\$1.23
15	TOCD012112	N/A	BOLT HEXHD, 1/2" x 1-1/2"	2	\$1.54
16	RNRX012GAL	N/A	SPRING WASHER 1/2"	2	\$1.23
17	RNPX012GAL	N/A	PLAIN WASHER 1/2"	2	\$1.06
18	0407CO03TR	N/A	TRANSMISSION ASSEY JCST	1	\$480.00
19	0000RF05TR	N/A	WOODRUFF KEY #3	3	\$1.06
20	0407CO04TR	N/A	CONTROL LEVER	1	\$1.06
21	RNRX038GAL	N/A	SPRING WASHER 3/8"	1	\$1.06
22	TCCN038GAL	N/A	NUT 3/8"	3	\$1.23
23	0407FG01TR	N/A	TRANSMISSION PULLEY JCST	1	\$45.00
24	RNPX014NOR	N/A	PLAIN WASHER, 1/4"	1	\$0.30
25	TOCD014034	N/A	BOLT HEX HD 1/4" X 3/4"	1	\$1.23
26	0407CR01TR	N/A	IDLER ARM JCST	1	\$12.00
27	TOCD038112	N/A	BOLT HEXHD, 3/8" x 1-1/2"	7	\$1.06
28	0407CR01TR	N/A	IDLER PULLEY JCST	1	\$15.00
29	0000RF06TR	N/A	SEALED BEARING	1	\$12.00
30	0000RF07TR	N/A	SPRING 2-1/2"	1	\$18.00
31	SC36200NOR	N/A	PIN COTTER 3/16" X 2"	1	\$1.06
32	0000BN3VX500	N/A	BELT 3VX500	1	\$25.00
33	RNRX014GAL	N/A	SPRING WASHER 1/4"	1	\$1.23
34	0407CO06TR	N/A	SPACER BUSHING	1	\$3.00
35	SM00100EXT	N/A	OMEGA LOCK	1	\$1.06
36	TOCD038212	N/A	BOLT 3/8" X 2 1/2"	1	\$1.06
37	0000RF07RD	N/A	BALL KNOB	1	\$13.00
38	0407CO02CN	N/A	ENGAGEMENT LEVER JCST	1	\$28.00
39	0407CO03CN	N/A	TRANSMISSION ENGAGEMENT LEVER JCST	2	\$16.00

**Jaime Ortiz**

**Office: (956) 796-9411**

**Fax: (956) 462 2500**

Parts & Customer Service

[parts@btmequipment.com](mailto:parts@btmequipment.com)

[service@btmequipment.com](mailto:service@btmequipment.com)