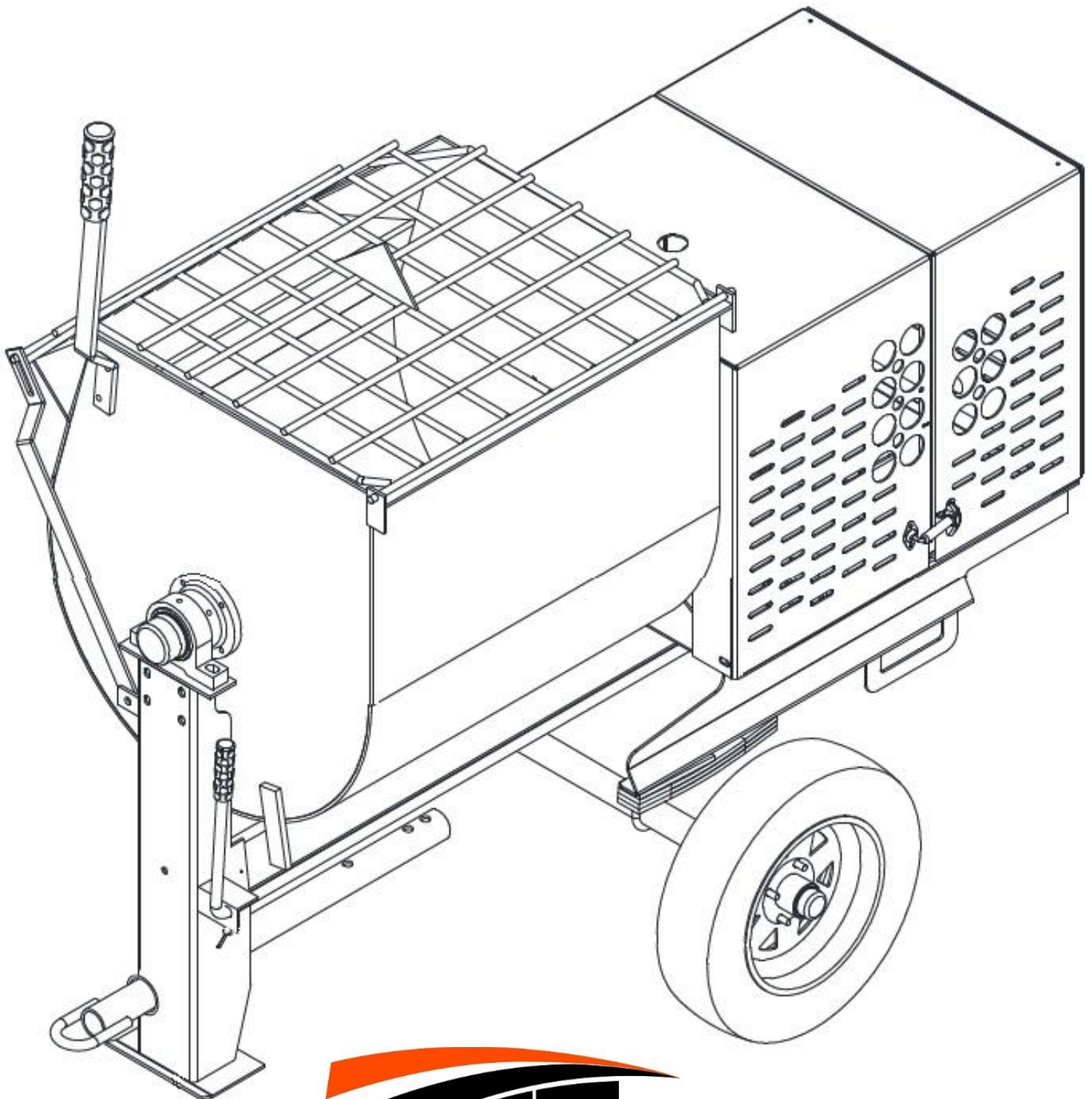
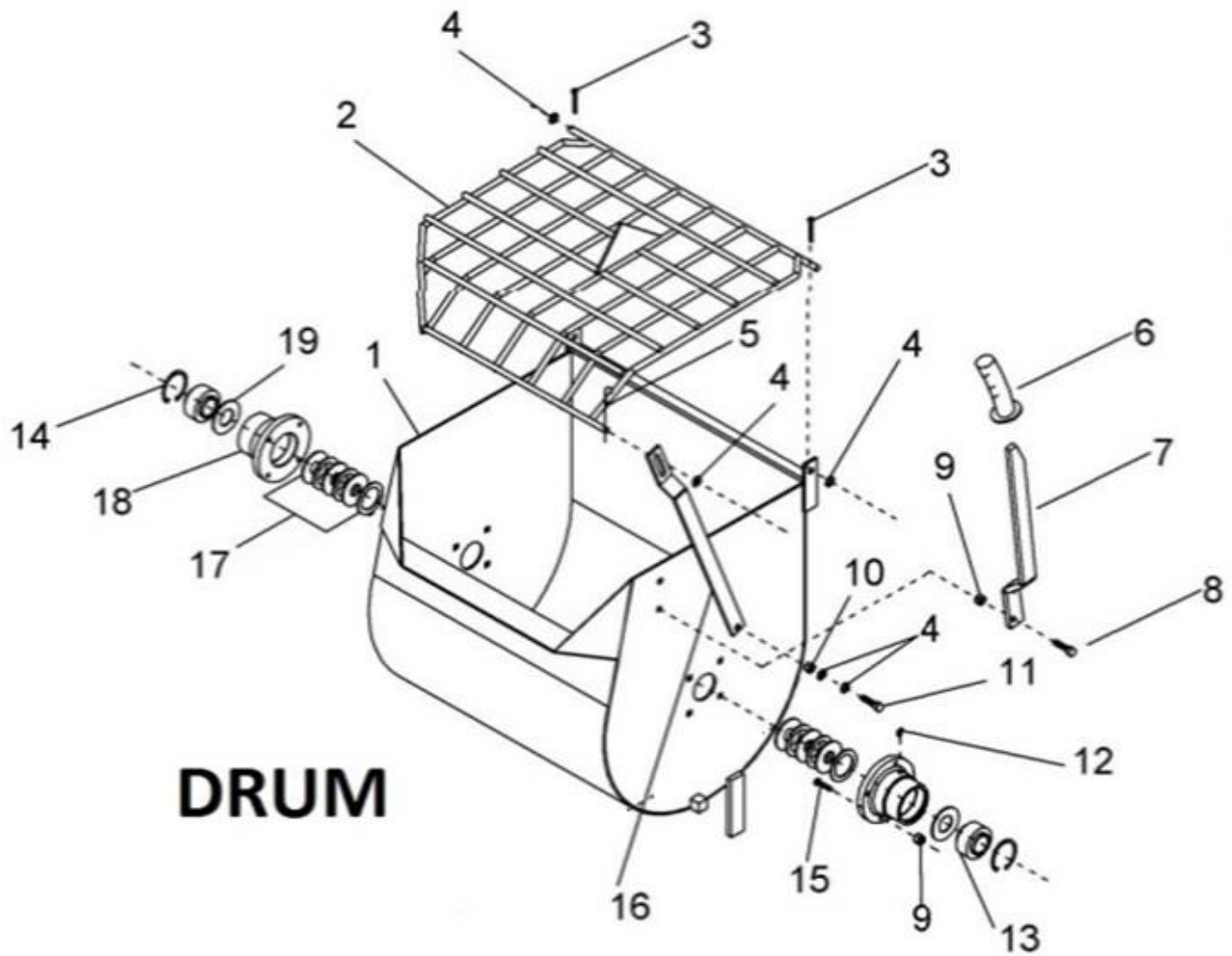


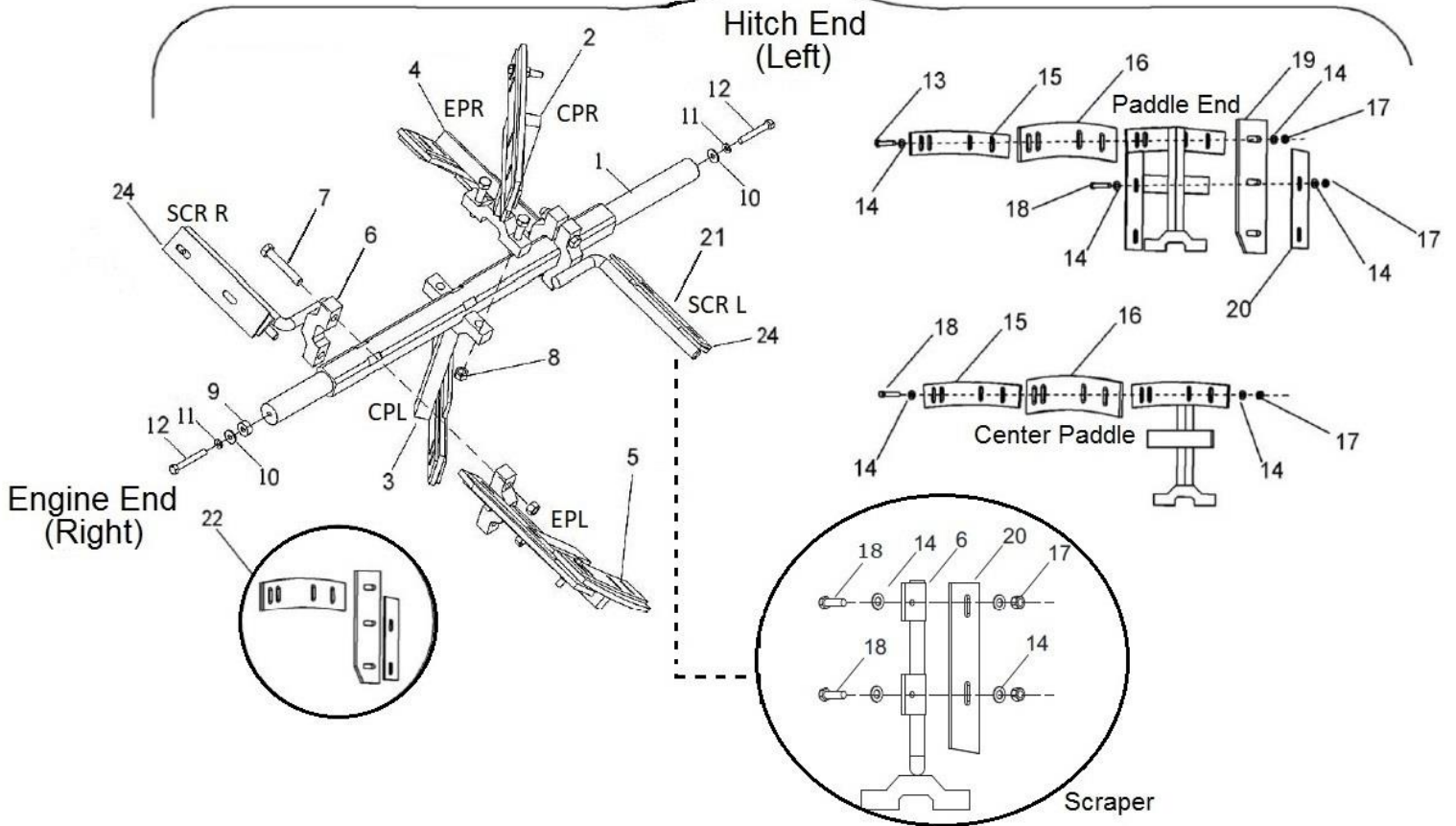
MM12 V-BELT PARTS BREAKDOWN (LIST PRICE)





DRUM

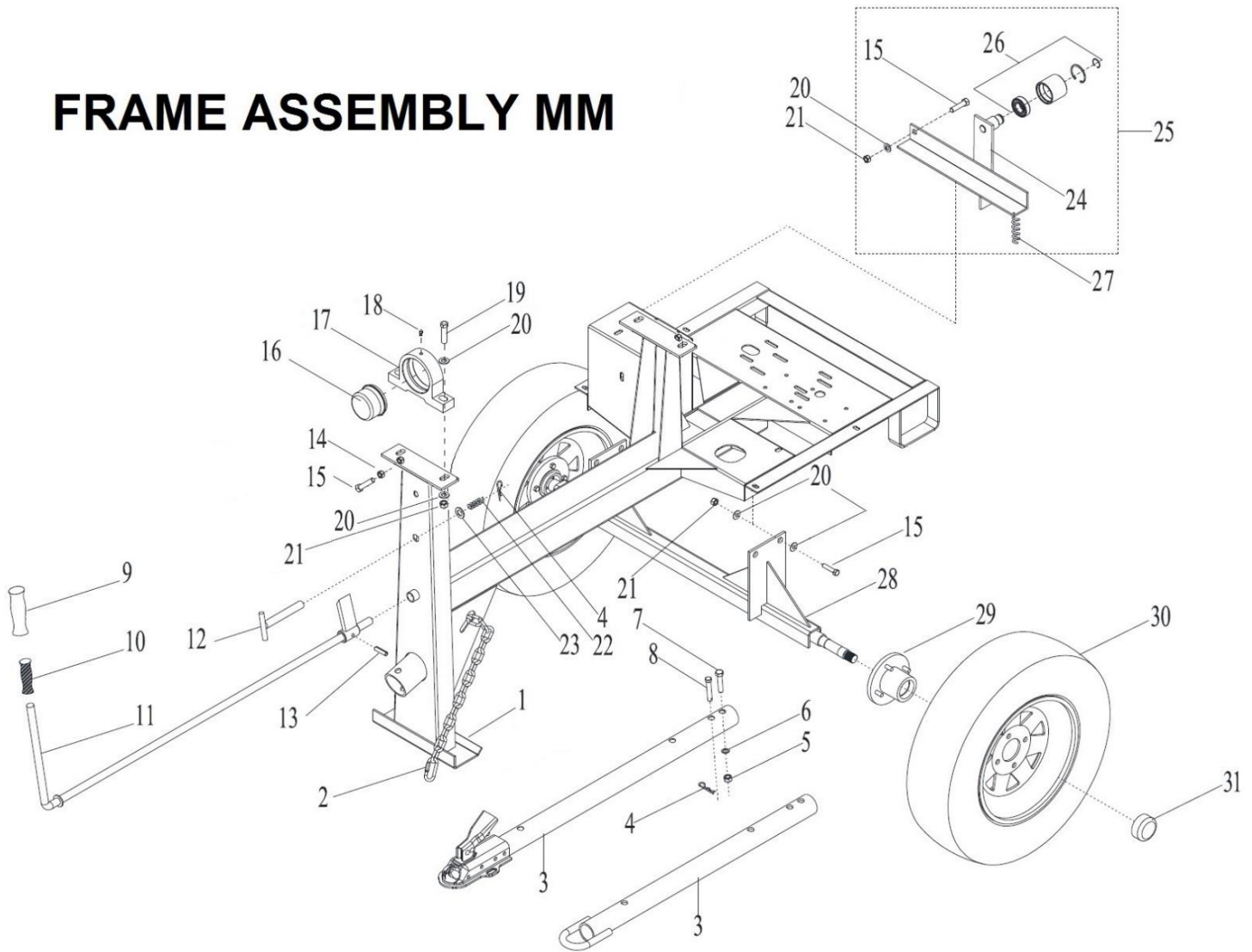
DRUM ASSEMBLY BREAK DOWN					
ITEM	SKU #	PART #	DESCRIPTION	MM12	PRICELIST
*	0204KI02TQ	T502	DRUM MM12/MM12G - T502 (OLD)	1	\$750.00
*	0204KI01TQ	T502-1	DRUM ASSEY COMPLETE MM12 - T502-1 (OLD)	1	\$1,580.00
1	0204CO01TQ	T602	DRUM MM12/MM12G 32-1/2" - T602 (NEW)	1	\$1,000.00
1	0204KI01EF	T602-1	DRUM ASSEY COMPLETE MM12/MM12G 32-1/2" - T602-1 (NEW)	1	\$1,750.00
1		T602-G	DRUM ASSEY COMPLETE MM12G 32-1/2" - T602-G (NEW)		\$1,850.00
2	0204CO01RJ	T603	DRUM GRID W/ BAG CUTTER MM12/MM12G - T603	1	\$198.00
3	CHA 316 2	T111	GRID PIN COTTER, 3/16" X 2" - SC3116200GAL - T111	2	\$1.08
4	RNPX012GAL	T105	PLAIN WASHER 1/2" - T105	5	\$2.12
5	0111SR01LZ	T110	GRID/HITCH HAIR LOCK PIN 3/16" - T110	3	\$1.08
6	0000RF01RJ-1	T166-1	DRUM DUMPING HANDLE GRIP - 139350 - T166-1 (FLAT)	1	\$10.00
7	0200CO01TQ	T168	DRUM DUMPING HANDLE W/ GRIP - T168	1	\$19.00
8	TOCD038112	T176	HEX BOLT 3/8" X 1-1/2" - T176 - C141 - 226230	2	\$1.25
9	TCCS038GAL	T114	HEX LOCK NUT 3/8" - 227830 - T114 - C142	10	\$1.25
10	TCCS012GAL	T106	HEX LOCK NUT 1/2" - T106 - 227854 - C304	1	\$1.25
11	TOCD012134	T189	HEX BOLT HD 1/2" X 1 3/4" - T189 - 226660	1	\$3.00
12	0000GRH045	T102	DRUM BEARING, GREASE FITTING 45 DEG - T102 - 110689	2	\$2.50
13	0000BA20824	T175	BALL BEARING, 1746208-108 - 110450 - T175 (W/O GRS FITTING)	2	\$30.00
14	SM00300INT	T177	DRUM TRUNNION RETAINING RING 3" - T177	2	\$6.47
15	TOCL038112	T174	CARRIAGE BOLT 3/8" X 1-1/2" GR2 ZP - 117771 - 117771 - T174	8	\$1.25
16	0204SO01RJ	T589	MM12 DRUM DUMPING LOCK BAR - T589	1	\$15.00
17	0200KI01TN	T172	DRUM HUB SEALS KIT (ONE END) - T172	2	\$25.00
18	0200CO01TN	T173-2	TRUNNION 4 HOLES FOR 3/8" SCREWS - T173-2	1	\$65.00
19	0200LA01TN	T169	DRUM HUB STEEL SPACER - T169	2	\$2.50



PADDLE ASSEMBLY					
ITEM	SKU #	PART #	DESCRIPTION	MM12	LISTPRICE
1	0203CR01CH	T404	SQUARE MAIN SHAFT 1-3/4" X 43-5/8" - MM10/MM12 - T404	1	\$150.00
1	0220CR01FC	T654	SQUARE MAIN SHAFT MM12G 1-3/4" X ##-##/## MM12G - T654		\$160.00
2	0204CO01AS-1	T606-2	PADDLE CENTER RIGHT MM12 - MM12G (1" GRIP) - T606-2	1	\$80.00
3	0204CO02AS-1	T408-2	CENTER PADDLE LEFT MM12 - MM12G (1" GRIP) - T408-2	1	\$80.00
4	0204CO04AS-1	T614-2	HITCH END, END PADDLE RIGHT ARM MM12 - MM12G (1" GRIP) T614-2	1	\$100.00
5	0204CO03AS-1	T609-2	ENGINE END, END PADDLE LEFT ARM MM12 - MM12G (1" GRIP) T609-2	1	\$100.00
6	0202CO02RP	T600	ENGINE END, END SCRAPER LEFT MM12 (1" GRIP) - T600	1	\$45.00
7	TOCD012312	N/A	HEX BOLT HD 1/2 X 3-1/2 (1" GRIP PADDLES) - 120520 - 226745	6*	\$4.24
8	TCCS012GAL	T106	HEX LOCK NUT 1/2" - T106 - 227854 - C304	6	\$1.25
9	0200TU01FC	T413	MAIN SHAFT BUSHING - T413	1	\$15.00
10	0200PL01FC	T152	MM PADDLE SHAFT PLAIN WASHER 3/16" - T152 - T162	2	\$3.00
11	RNRX038GAL	T113	LOCK WASHER 3/8 T113 - C144 - 176230	2	\$1.08
12	TOFD038100	T116	HEX BOLT 3/8 X 1 NF - 226210 - T116	2	\$1.25
13	TOCD038200	T145	HEX BOLT HD, GR5 3/8" X 2" - 226250 - T145 - C158	4	\$1.25
14	RNPX038GAL	T112	PLAIN WASHER 3/8" - T112 - C139 - 174986 - 701032 - C140	40	\$1.08
15	0201RF01AS	T180	CENTER PADDLE RUBBER BLADE MM6-MM12 - T186 - T307 - T312	4	\$10.00
16	0200SO01AS	T181	CENTER PADDLE STEEL BLADE MM6 - MM12 - T181 - T187 - T313	4	\$12.35
17	TCCS038GAL	T114	HEX LOCK NUT 3/8" - 227830 - T114 - C142	20	\$1.25
18	TOCD038112	T176	HEX BOLT 3/8" X 1-1/2" - T176 - C141 - 226230	18	\$1.25
19	0200RF02AS	T310	END PADDLE SIDE RUBBER BLADE MM8/MM10/HM12/HM16 - T310	2	\$10.00
20	0200SO02AS	T311	END PADDLE SIDE STEEL BLADE MM80/MM12 - T311	2	\$10.00
21	0202CO01RP	T598	HITCH END, END SCRAPER RIGHT MM12/MM12G (1" GRIP) - T598	1	\$45.00
22	0200KI03AS	T301	RUBBER BLADE KIT MM8-MM12-HM12	1	\$65.00

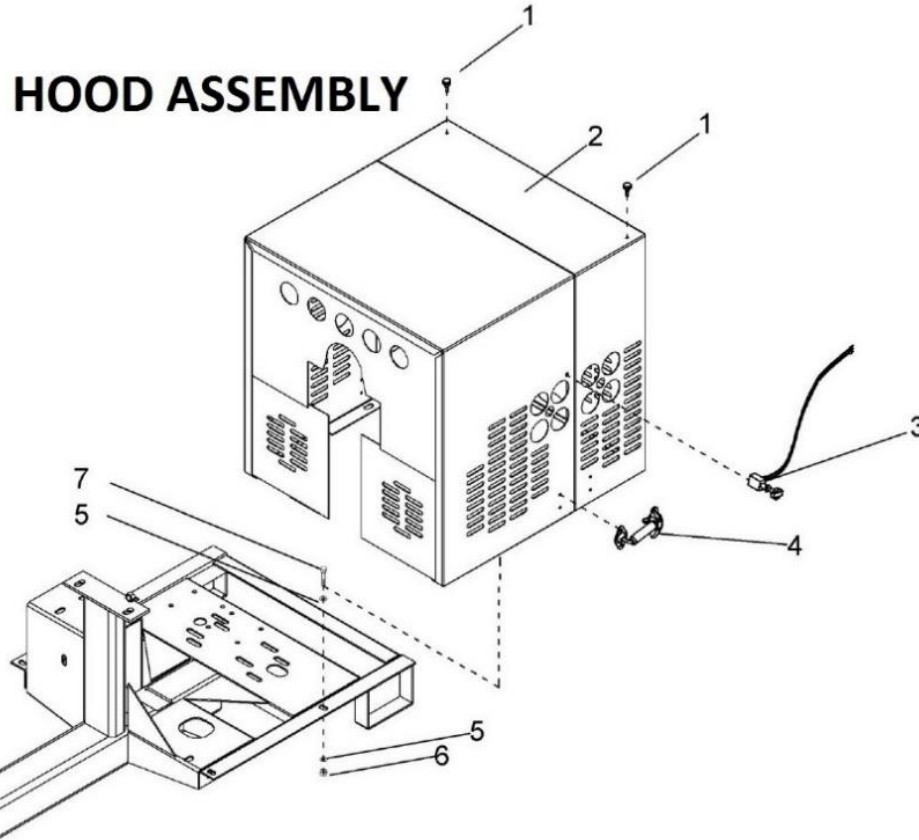
COMPLETE PADDLE/RUBBER KITS					
#	SKU #	PART #	DESCRIPTION	MM12	PRICELIST
23	0204KI01AS-1	T606-3	COMPLETE PADDLE SET MM12 - MM12G (1" GRIP) - T606-3	1	\$600.00
24		496242	LEFT/RIGHT & STEEL PLATE SCRAPERS MM12 - MM12G	2	\$15.57
25	0204KI01ES	T206-3	MM12S SPIRAL BLADE KIT - T206-3	1	\$425.00

FRAME ASSEMBLY MM



MM FRAME ASSEY					
#	MANUF. #	PART #	DESCRIPTION ENGLISH	MM12	LISTPRICE
1	0204CO01CH	T500	FRAME MM12 - T500	1	\$1500.00
2	CAD3516GAL	T501	5/16 SAFETY CHAIN W/ OVAL SNAPS T501 - 609686 - 701012 - CA03316GAL	1	\$35.00
3	0000CO03LZ	T118-V	PINTLE HITCH VERTICAL HOLE - 702069 - T118 - C193	1	\$80.00
3	0000CO04LZ	T119-V	2" BALL HITCH VERTICAL HOLE - 702070 - T119	1	\$80.00
4	0111SR01LZ	T110	3/6" COTTER PIN CP-85H - SR00036EXT - T110 - 134955	1	\$1.08
5*	TCFN034GAL	T124	TOWING HITCH, HEX NUT, 3/4 NF - 701028 - T124 - C179 (OBSOLETE)	1	\$5.00
5	TCFN058GAL	T124-1	TOWING HITCH, HEX NUT, 5/8 NF - T124-1 - 701033	1	\$5.00
6*	RNRX034GAL	T123	TOWING HITCH, SPRING WASHER 3/4" - 174510 - T123 (OBSOLETE)	1	\$3.00
6	RNRX058GAL	T123-1	TOWING HITCH, SPRING WASHER 5/8" - T123-1 - 701032	1	\$3.00
7*	TOFD034312	T122	TOWING HITCH, HEX HEAD SCREW 3/4" X 3-1/2" - T122 - C148 - 226272 - 701001 (OBSOLETE)	1	\$3.00
7	TOFD058312	T122-1	TOWING HITCH, HEX HEAD SCREW 5/8" X 3-1/2" - T122-1 - 701035	1	\$3.00
8*	0000CR01LZ	T121	TOWING HITCH, LOCK PIN - T121 - C169 - 496088 - 702078 (OBSOLETE)	1	\$10.00
8	TOFD058312-A	T121-1	TOWING HITCH, LOCK PIN - T121-1 - 701031	1	\$10.00
9	0000RF01RJ	T166	CONTROL & DUMPING HANDLE GRIPS - 139350 - T166 (ROUND)	1	\$10.00
10	0000RF02TQ	T414	ENGAGEMENT HANDLE CHILD HAND GRIP - T414 - 701023	1	\$3.33
11	0203CO01CU	T415	ENGAGEMENT CONTROL HANDLE LEVER MM10 - T415	1	\$60.00
12	0200CO01CH	T107	TOWING/DUMPING LOCK PIN - T107	1	\$7.22
13	00PE038112	T505	CONTROL HANDLE LOCK PIN 3/8 X 1-1/2 - T505	1	\$1.08
14	TCCN012GAL	T190	HEX LOCK NUT 1/2" - T190 - C178 (WELDED TO THE FRAME)	1	\$0.00
15	TOCD012134	T189	HEX BOLT HD 1/2" X 1 3/4" - T189 - 226660	1	\$3.00
16	0000RF02CH	T126	MM DRUM BEARINGS DUST CAP - T126	1	\$25.00
17	00CHPI2300	T101	3" DRUM PILLOW BLOCK - T101	2	\$25.00
18	0000GRH045	T102	DRUM BEARING, GREASE FITTING 45 DEG - T102 - 110689	2	\$2.50
19	TOCD012212	T104	HEX BOLT HD 1/2" X 2-1/2" - T104 - C146 - 226690	4	\$1.25
20	RNPX012GAL	T105	PLAIN WASHER 1/2" - T105 - C172 - 174470	17	\$2.12
21	TCCS012GAL	T106	HEX LOCK NUT 1/2" - T106 - 227854 - C304	9	\$1.25
22	0000RF01CH	T109	TOWING/DUMPING, LOCK PIN SPRING - T109	1	\$8.00

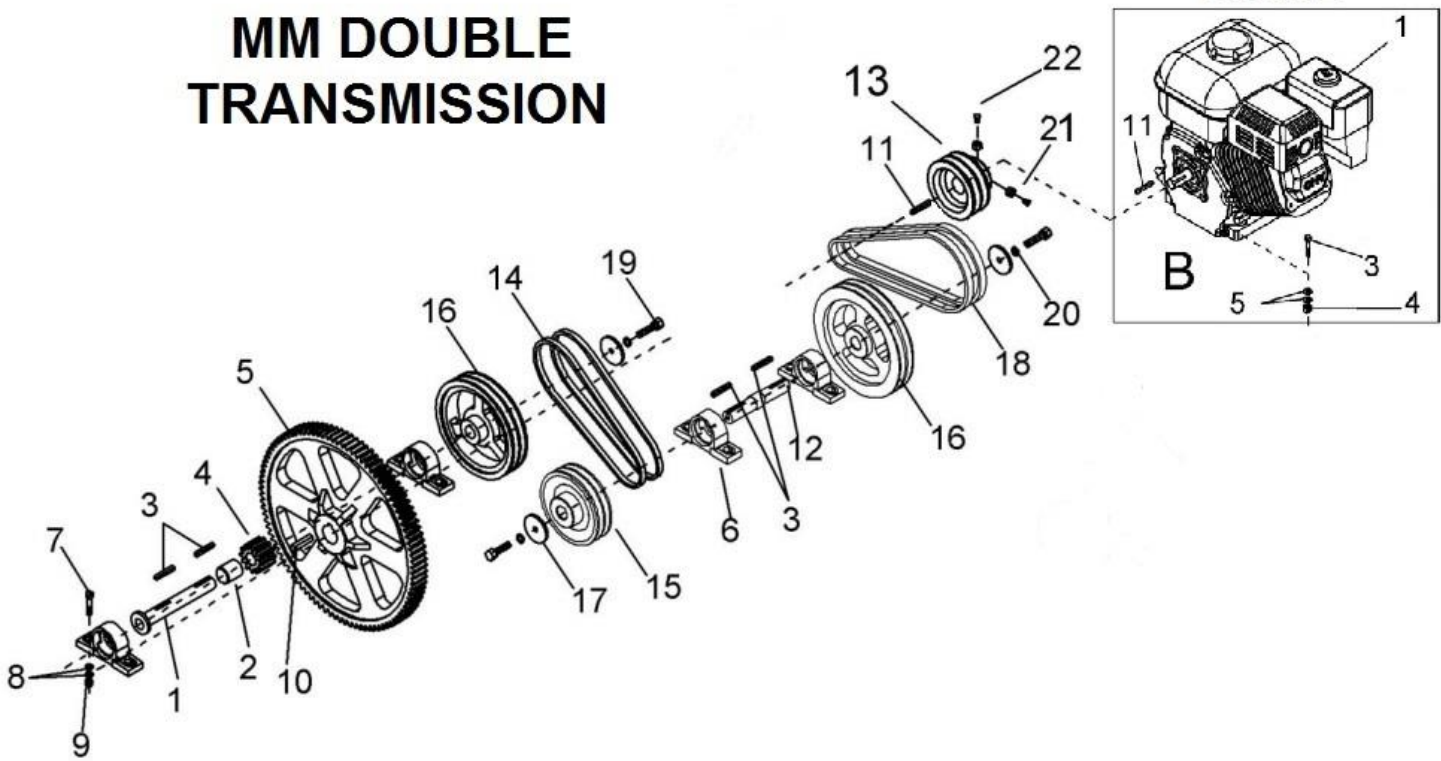
23	RNPX034GAL	T108	PLAIN WASHER 3/4" X 1-1/2 - 174996 - T108 - 248277	1	\$3.02
24	0200CO02CU	T140	IDLER ARM BRACKET (NO BEARING) - T140	1	\$22.00
25	0200CO04CU	T197	BEARING CLUTCH ASSEY WITH IDLER ARM BRACKET - T197	1	\$70.00
26	0200KI01CU	T197-1	BEARING IDLER CLUTCH ASSEMBLY (NO IDLER ARM BRACKET) - T197-1	1	\$30.00
27	0000RF01CU	T192	IDLER ARM (CLUTCH) SPRING - T192	1	\$9.50
28	0200CO03RD	T125-2	STANDARD 46" AXLE MM6-MM12 (NO HUBS) - T125-2	1	\$200.00
28	0200CO04RD	T125-3	STANDARD 46" AXLE ASSY MM6-MM12 (INCLUDING HUBS) - T125-3	1	\$280.00
29	0200KI03RD	T129-1	WHEEL HUB W/ 1" BRG L44643 & DUST CAP - 702071 - T129 - C135 (NEW STYLE)	2	\$75.00
30	0000CO01RD	T137	WHEEL & TIRE ASSY 165-80 R13" - T137 - 431081 - C136	2	\$115.00
31	0000RF10RD	T136-1	HIGH SPEED WHEELS HUB, DUST CAP (NEW STYLE) - T136-1	2	\$8.00



HOOD ASSEMBLY						
#	MANUF. #	PART #	DESCRIPTION	MM12	MM12G	LISTPRICE
1	0000RF01GA	T158	RUBBER SCREW 1/4" FOR SHROUD - T158 - C159 - 201544	2	2	\$3.15
2	0221CO01GA	T601	MM12 SQUARE SHROUD ASSEY (BLACK) - T601 - T157-12	1		\$400.00
2	0220CO01GA	T601G	MM12G SQUARE SHROUD ASSEY (BLACK) - T601G		1	\$400.00
3	0200KI01GA	T193	ENGINE KILL SWITCH ASSEY RED (WITH HARNESS) 701007 - T193	1	1	\$29.00
3	0200KI01GA	T195-1	ENGINE N.O KILL SWITCH RED (NO HARNESS) - 816769AS - 112500 - T195-1 - 290100	1	1	\$18.00
4	0000RF02GA	T160	SHROUD HOOK ASSEMBLY - T160 - C161 - 701004 - 201543	2	2	\$9.00
5	RNPX038GAL	T112	PLAIN WASHER 3/8" - T112 - C139 - 174986 - 701032 - C140	8	8	\$1.08
6	TCCS038GAL	T114	HEX LOCK NUT 3/8" - 227830 - T114 - C142	4	4	\$1.25
7	TOCD038112	T176	HEX BOLT 3/8" X 1-1/2" - T176 - C141 - 226230	4	4	\$1.25
8G	ASK FOR #		ENGINE SHROUD LID ACCESS CAP	N/A	1	\$21.00

ENGINE ASSEMBLY BREAK DOWN						
#	SKU #	PART #	DESCRIPTION	MM12	MM12G	PRICELIST
1	202013M	N/A	ENGINE HONDA 13 HP GX340 WITH 6:1 REDUCER	1	N/A	\$1185.00
3	TOCD038200	C158	HEX BOLT HD, GR5 3/8" X 2" - 226250 - T145- C158	4	4	\$1.25
4	TCCS038GAL	C142	HEX LOCK NUT 3/8" - 227830 - T114 - C142	4	4	\$1.25
5	RNPX038GAL	C139	PLAIN WASHER 3/8" - T112 - C139 - 174986 - 701032 - C140	8	8	\$1.08
11	0200CU02TR	T147	ENGINE KEY 1/4 FOR 8HP & 13HP - T147 - 0405CC01CO	1	1	\$1.27

MM DOUBLE TRANSMISSION



TRANSM. ASSEY MM					
#	SKU ##	PART #	DESCRIPTION	MM12	LISTPRICE
1	0204CR02TR	T474	MM12 TRANSMISSION SHAFT 1" X 6-1/2" (BULLGEAR END) - T474	1	\$18.00
2	0204CR03TR	T475	MM12 TRANSM BUSHING 1" X 1" - T475	1	\$15.00
3	0000CU01TR	T483	KEY 1/4 X 1-1/4 - 701027 - C152 - T483 - 0000CU01TR	4	\$1.25
4	0200CR04TR	T149	12 TH TRANSMISSION PINION 2-3/8" X 2 1/2" - T149	1	\$30.00
5	0200FG02TR	T151	96 TH TRANSMISSION BULL GEAR 14" - T151	1	\$165.00
6	00CHPI2100	T150	TRANSMISSION PILLOW BLOCK 1" - T150	4	\$21.00
7	TOCD038200	T145	HEX BOLT HD, GR5 3/8" X 2" - 226250 - T145- C158	8	\$1.25
8	RNPX038GAL	T112	PLAIN WASHER 3/8" - T112 - C139 - 174986 - 701032 - C140	16	\$1.08
9	TCCS038GAL	T114	HEX LOCK NUT 3/8" - 227830 - T114 - C142	8	\$1.25
10	0200CC01TR	T120	BULL GEAR KEY 3/8" X 2" - T120	1	\$1.27
11	0200CU02TR	T147	ENGINE KEY 1/4 FOR 8HP & 13HP - T147	1	\$1.27
12	0204CR01TR	T476	MM12 TRANSMISSION SHAFT 1" X 6-7/8" (BETWEEN PULLEYS) - T476	1	\$18.00
13	POFG3341002R	T154	PULLEY 3-3/4" CAL 1" X 2 GROOVES (2AK39X1) - 430990 - 702010 - T154	1	\$50.00
13	POFG2120582R	T154-3	PULLEY MOTOR, 2-1/2" X 5/8" 2 GROOVES (2AK2558) - T154-3	1	\$40.00
13	POFG2120782R	T1000	PULLEY MOTOR, 2-1/2" CAL 7/8" 2 GROOVES - T1000 - 239365	1	\$40.00
13	POFG2121182R	T1001	PULLEY MOTOR, 2-1/2 CAL 1-1/8 X 2 GROOVES - T1001	1	\$40.00
14	0000BNAX52	T155-1	DOUBLE TRANSMISSION BELT FOR MM12, AX52 - T155-1	2	\$25.00
15	POFG6001002R	T478	PULLEY 6" CAL 1" X 2 GROOVES - T478	1	\$60.00
16	POFG8001002R	T153	PULLEY 8" CAL 1" 2 GROOVES - T153-2	2	\$60.00
17	0200PL01FC	T152	MM PADDLE SHAFT PLAIN WASHER 3/16" - T152 - T162	3	\$3.00
18	0000BNAX37	T155	GAS ENGINE TRASMISSION BELT, AX37 - T155	2	\$20.00
19	TOFD038100	T116	HEX BOLT 3/8" X 1" NF - 226210 - T116	3	\$1.25
20	RNRX038GAL	T113	LOCK WASHER 3/8" - T113 - C144 -176230	2	\$1.08
21	OPCQ038100	T203	SET SCREW, 3/8 X 1" FOR 8HP - 13HP ENGINE PULLEY - T203	2	\$2.55
22	TCCN038GAL	T410	HEX NUT 3/8 NC - T410 - C142 - 227814	2	\$1.25

Octavio Chavez
North America Sales Manager

manager@tkequip.com
www.tkequip.com



Jaime Ortiz
Office: (956) 796-9411

Fax: (956) 462 2500

Parts & Customer Service
parts@btmequipment.com
service@btmequipment.com