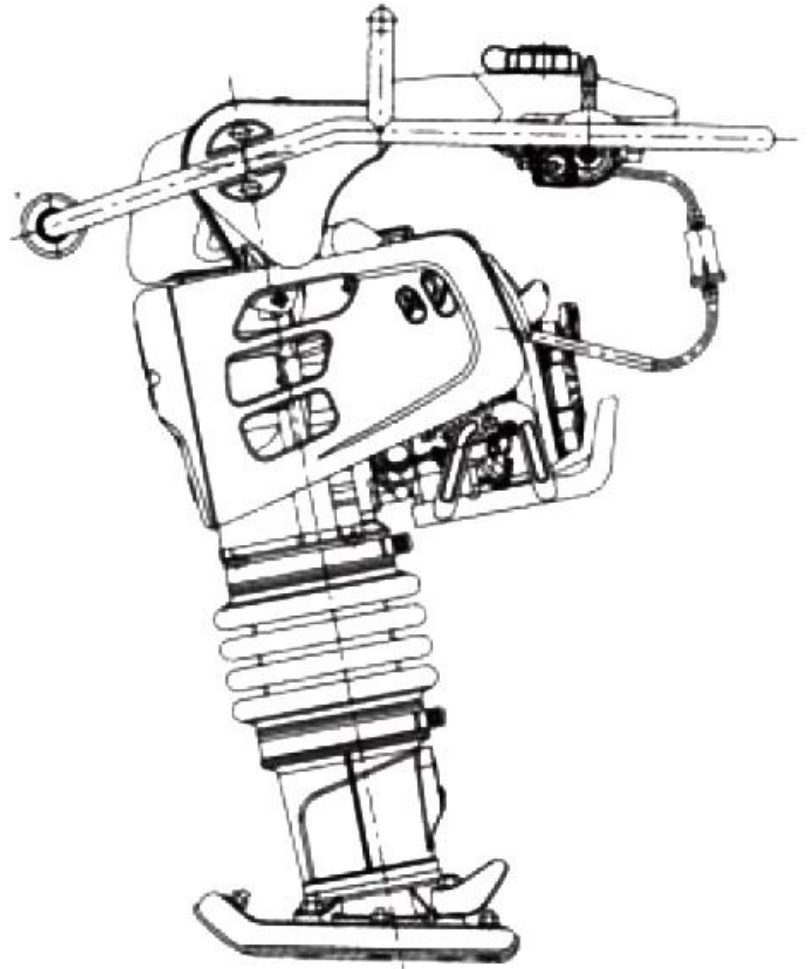
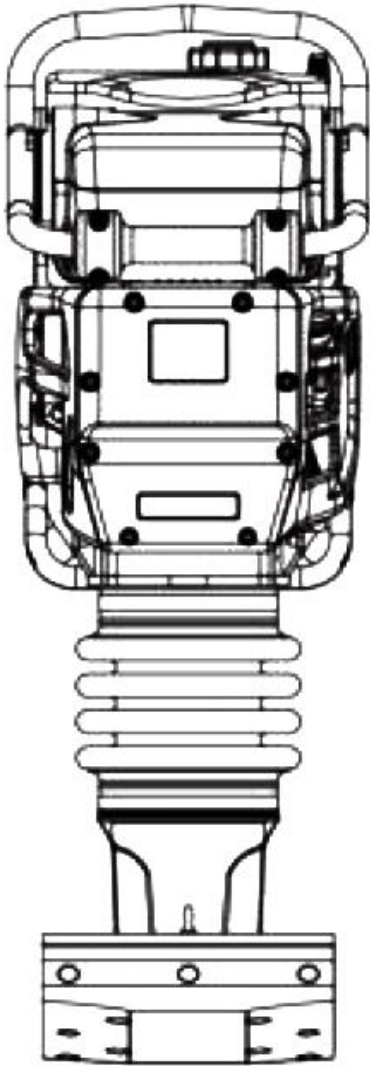
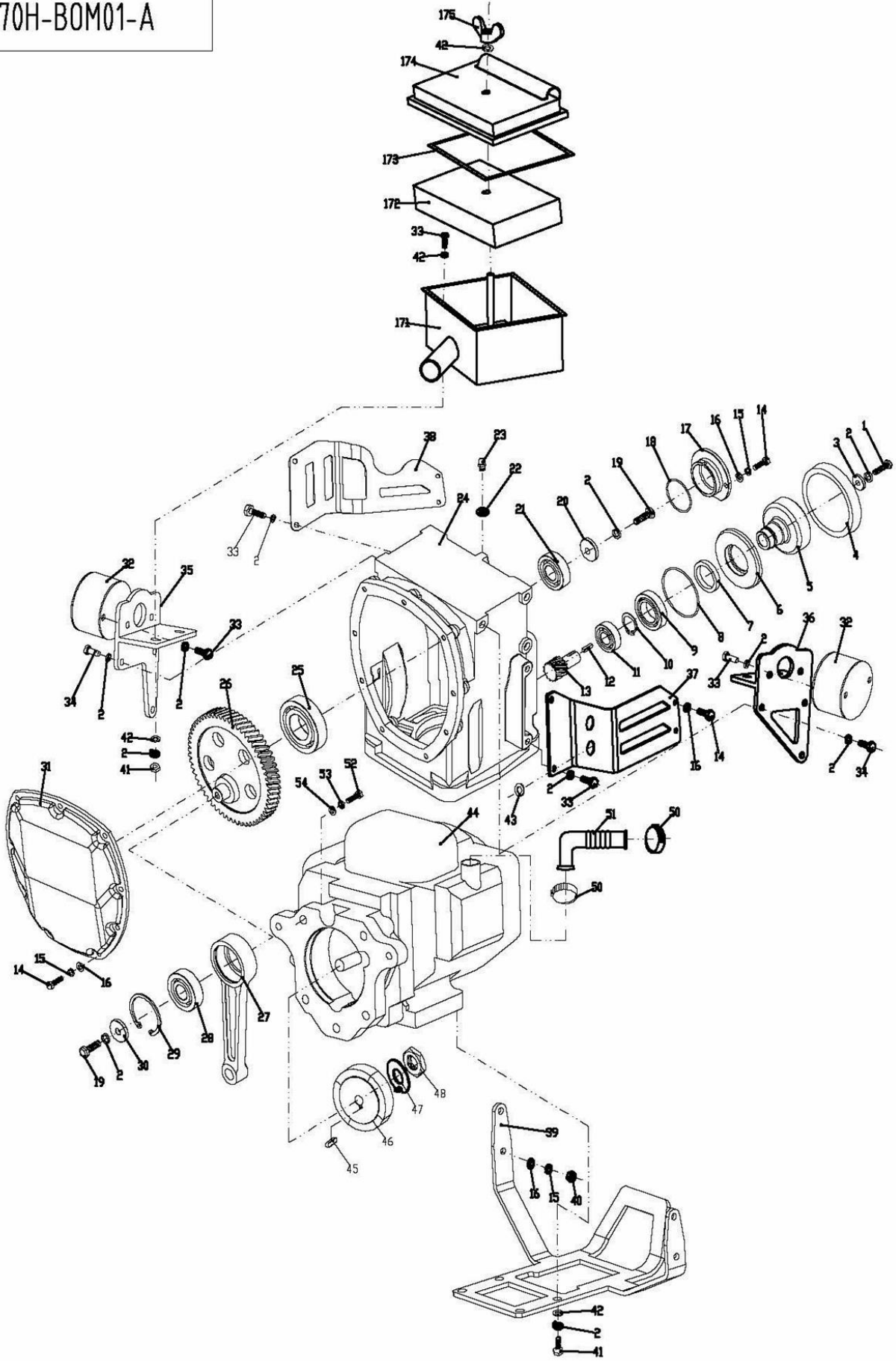


MR-70H TAMPING RAMMER PARTS BREAKDOWN



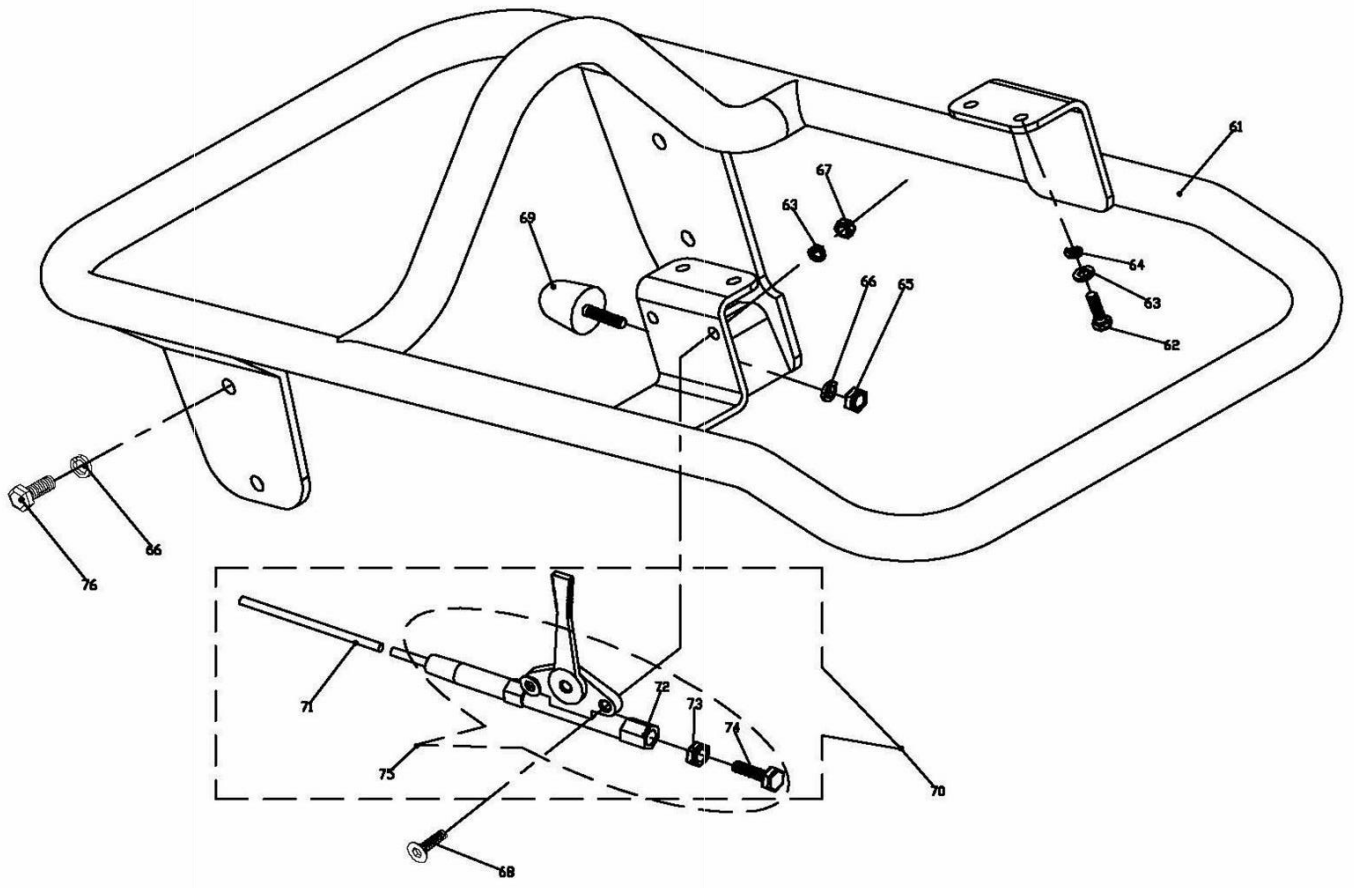


BODY ASSEMBLY

ITEM NO.	PART NO.	DESCRIPTION	QTY
1	20102105	BOLT M8X30	1
2	20509006	SPRING WASHER 8	25
3	40504001	PINION SHAFT END GASKET	1
4	40504070	LOCATING SLEEVE	1
5	40506027	HUB	1
6	40501001	BRACKET, LEFT	1
7	21106002	LIP-TYPE PACKING40x52x8-FB	1
8	21101100	O RING 95x3.1	1
9	21001052	BEARING 6007Z	1
10	20601014	CIRCLIP FOR SHAFT 35	1
11	21001059	BEARING 6204	1
12	20901101	FLAT KEY 6X20	1
13	40602002	4.0 PINION SHAFT	1
14	20102054	BOLT M6X20	13
15	20509004	SPRING WASHER 6	13
16	20501005	FLAT GASKET 6	17
17	40502001	3HP GEAR BOX BEARING COVER	1
18	21101004	O RING 43.7X1.8	1
19	20102102	BOLT M8X25	2
20	40504002	CRANK GEAR SHAFT END GASKET	1
21	21001059	BEARING 6204	1
22	40504004	NYLON SPACER	1
23	21110001	STRAIGHT THROUGH TYPE PRESSURE OIL FILLING CUP M6	1
24	40901012	GEAR BOX	1
25	21001062	BEARING 6207	1
26	40601002	ROBIN4.0 GEAR CRANK	1
27	40407001	CONNECTING ROD	1
28	21001066	BEARING 6304	1
29	20602008	CIRCLIP FOR HOLE 52	1
30	40504003	CONNECTING ROD SHAFT END GASKET	1

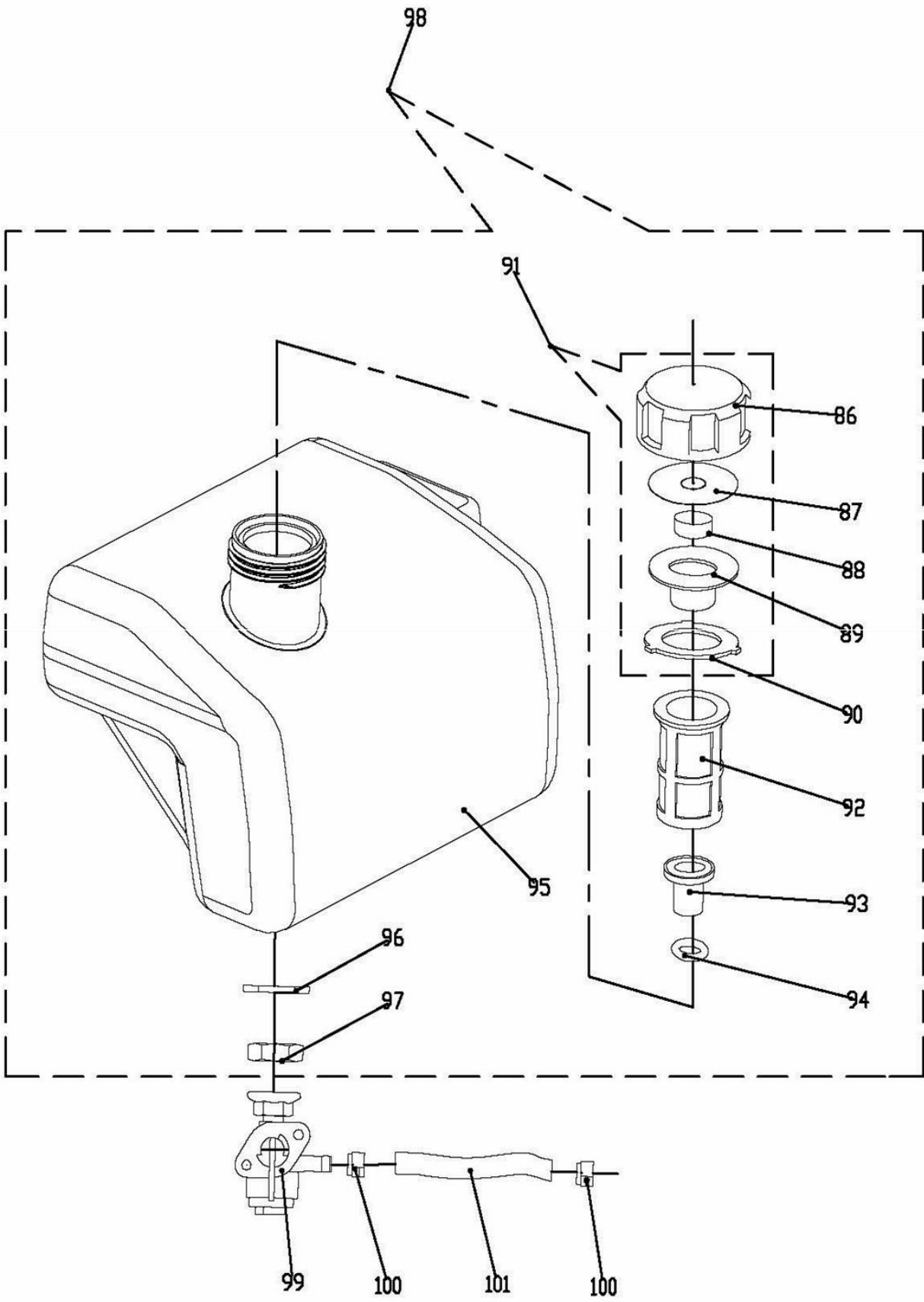
BODY ASSEMBLY

ITEM NO.	PART NO.	DESCRIPTION	QTY
31	40903003	GEAR BOX COVER	1
	40903004	GEAR BOX COVER	1
32	41201002	SHOCK ABSORBER ASSY	2
33	20102101	BOLT M8X20	12
34	20102105	BOLT M8X30	6
35	40206076	BRACKET, RIGHT	1
36	40206075	BRACKET, LEFT	1
37	40207016	PROTECTIVE FRAME LEFT	1
38	40207017	PROTECTIVE FRAME RIGHT	1
39	40207018	PROTECTIVE FRAME BACK	1
40	20405002	LOCK NUT M6	4
41	20102102	BOLT M8X25	4
42	20501007	FLAT GASKET 8	12
43	41404001	PROTECTIVE RING Φ 16	1
44	41401075	ENGINE ASSY	1
45	20902001	WOODRUFF KEY 4x5	1
46	50101011	CLUTCH ASSY	1
47	40504008	LOCK WASHER	1
48	20407002	HEX THIN NUT	1
50	41406012	CLAMP 20-32 (WIDTH 9)	2
51	41204011	3HP AIR INLET PIPE	1
52	20102156	BOLT M10X40	4
53	20509008	SPRING WASHER 10	4
54	20501009	FLAT GASKET 10	4
171	40902001	AIR FILTER SHELL	1
172	41402005	AIR FILTER	1
173	41204003	SEALING TAPE	1
174	40902002	AIR FILTER COVER	1
175	20422001	BUTTERFLY NUT M8X1.25 A TYPE	1

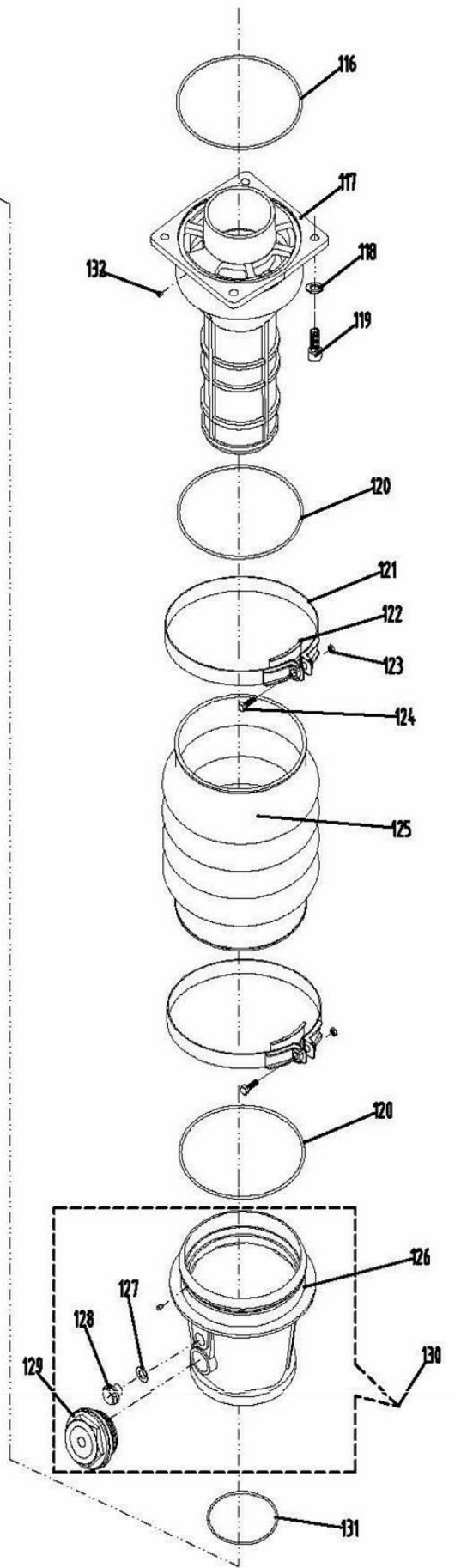
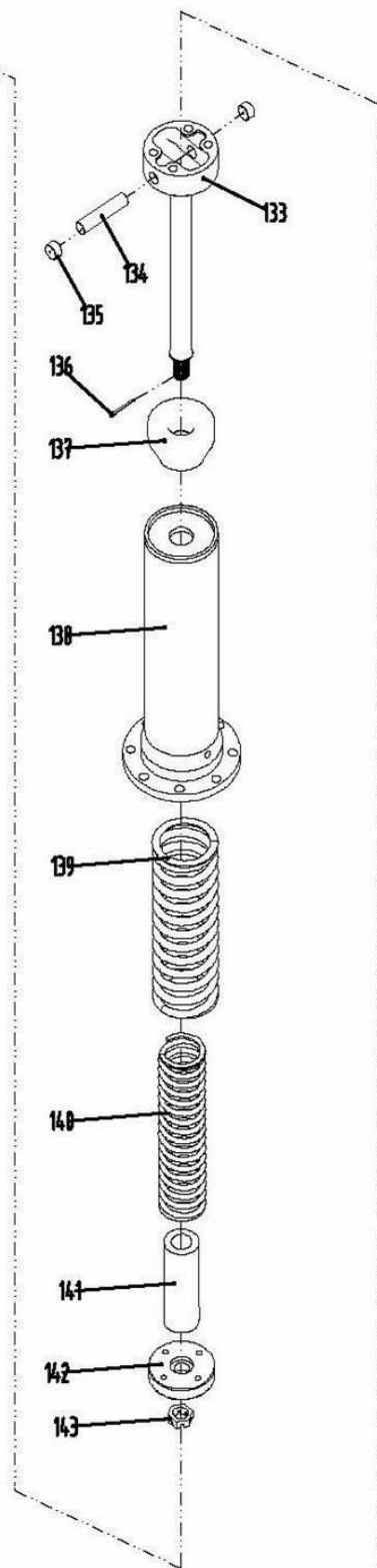
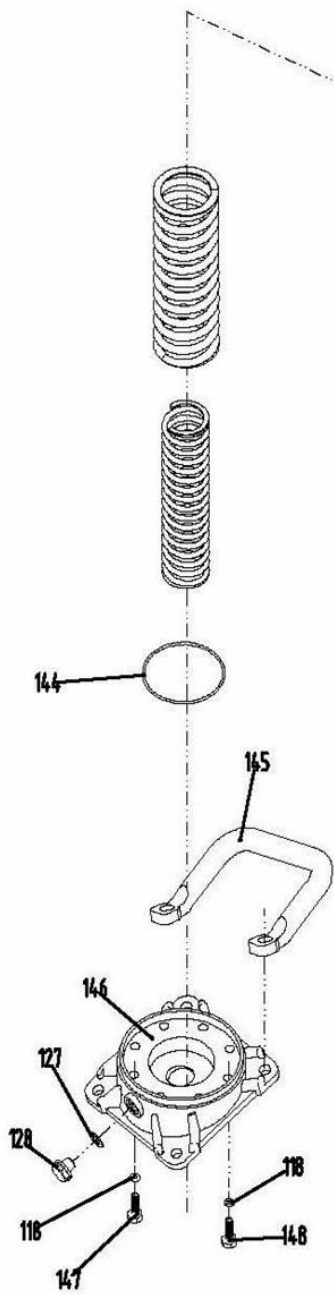


CAGE ASSEMBLY

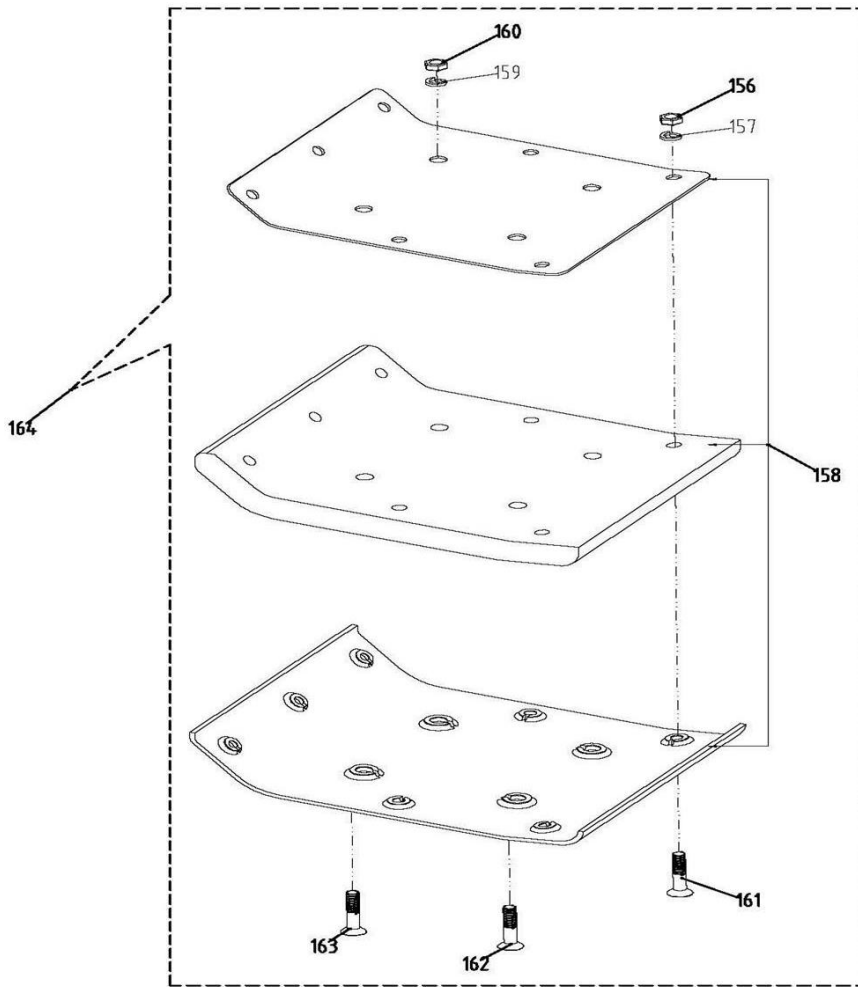
ITEM NO.	PART NO.	DESCRIPTION	QTY
61	50103004	HANDLE ASSY	1
62	20102053	HEX BOLT M6X16	4
63	20509004	SPRING WASHER 6	6
64	20501005	FLAT GASKET 6	4
65	20405004	HEX LOCK NUT M8	1
66	20509006	SPRING WASHER 8	5
67	20401003	HEXNUT M6	2
68	20308051	HEX SOCKET COUNTERSUNK FLAT CAP HEAD SCREW M6X16	2
69	41202003	RUBBER	1
70	41403004	THROTTLE ASSY 70 (71, 75)	1
71	40209016	THROTTLE WIRE	1
72	40101029	THROTTLE HANDLE	1
73	20401003	HEXNUT M6	1
74	20102056	HEX BOLT M6X30	1
75	50201011	THROTTLE HANDLE ASSY 75 (72-74)	1
76	20102101	HEX BOLT M8X20	4



ITEM NO.	PART NO.	DESCRIPTION	QTY
86	40903048	FUEL TANK CAP	1
87	41201066	FUEL TANK INNER CAP (I)	1
88	41402003	SMALL FILTERΦ18.5*10	1
89	41201067	FUEL TANK INNER CAP (II)	1
90	41201065	RUBBER GASKET OF FUEL TANK CAP	1
91	40903001	FUEL TANK ASSY 91 (86-90)	1
92	41402007	FUEL TANK OPENING FILTER	1
93	41101001	1/8" FUEL TANK OUTLET CONNECTION	1
94	21101150	O RING 14×3.55	1
95	41206002	FUEL TANK	1
96	20501012	FLAT GASKET 14	1
97	20407003	HEX THIN NUT M14×1.5	1
98	50207002	FUEL TANK ASSY 98 (91-97)	1
99	41403001	FUEL TANK ON-OFF	1
100	41406003	FUEL TUBE CLAMP Φ9	2
101	89001004	FUEL TUBE	1



ITEM NO.	PART NO.	DESCRIPTION	QTY
116	21101200	O RING160x5.3	1
117	40505001	GUIDE CYLINDER	1
118	20509008	SPRING WASHER 10	12
119	20306156	SOKET HEAD CAP SCREW M10X35	4
120	21101153	O RING160x3.55	2
121	40101001	BELLOW CLAMP	2
122	40101001	LINER PLATE	2
123	20401004	NUT M8	2
124	20102107	BOLT M8X40	2
125	41205003	BELLOW	1
126	40505002	SPRING CYLINDER	1
127	21105004	COPPER GASKET	1
128	40401001	PLUG SCREW M14X1.5	1
129	21110002	OIL LEVER GAUGE M24x1.5	1
130	50201012	SPRING CYLINDER ASSY 130 (126-129)	1
131	21101055	O RING95x2.65	1
132	40402001	BELLOW PIN	2
133	40406001	PISTON ROD	1
134	40402002	PISTON PIN	1
135	41201038	PISTON PLUG	2
136	20805050	COTTER 3.2x36	1
137	41202001	RUBBER	1
138	40505004	DOWN GUIDE CYLINDER	1
139	40103002	INNER SPRING	2
140	40103007	OUTER SPRING	2
141	41201040	STOPPER LOWER	1
142	40705001	PISTON END	1
143	20410001	SLOTTED NUT M18x1.5	1
144	21101152	O RING 87.5x3.55	1
145	41003002	HANDLE	1
146	40804001	FOOT PLATE	1
147	20306150	SOKET HEAD CAP SCREWM10x20	4
148	20306158	SOKET HEAD CAP SCREWM10x40	4



ITEM NO.	PART NO.	DESCRIPTION	QTY
156	20405006	LOCK NUT M10	7
157	20509008	SPRING W ASHER 10	7
158	50201013	FOOT PLATE COMPONENTS	1
159	20509009	SPRING W ASHER 12	4
160	20405007	LOCKNUT M12	4
161	20103001	FLAT COUNTER SUNK NIB BOLTS M10x52	7
162	20103002	FLAT COUNTER SUNK NIB BOLTS M12x70	2
163	20103003	FLAT COUNTER SUNK NIB BOLTS M12x75	2
164	50201009	FOOT ASSY 164 (156-163)	1