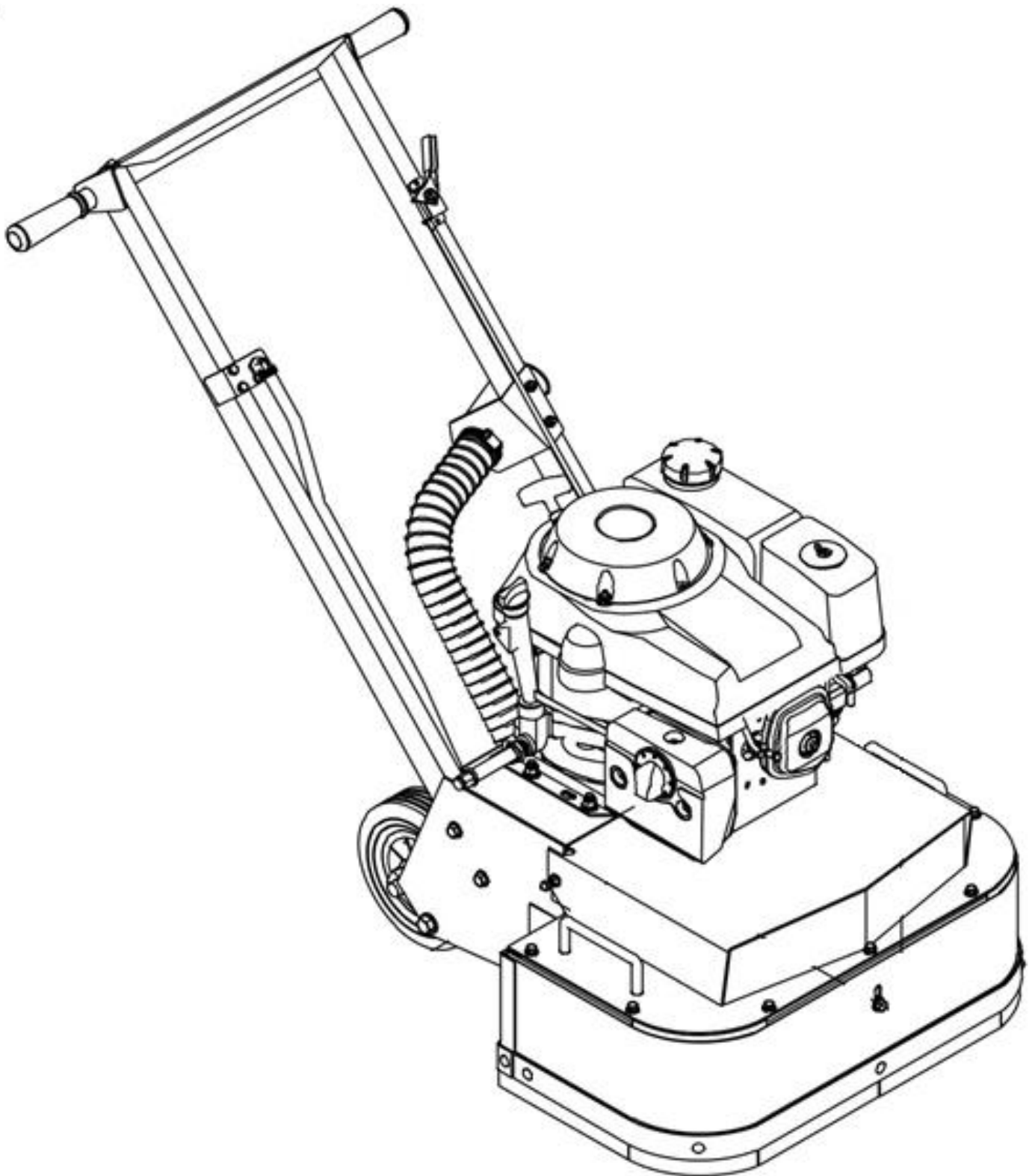
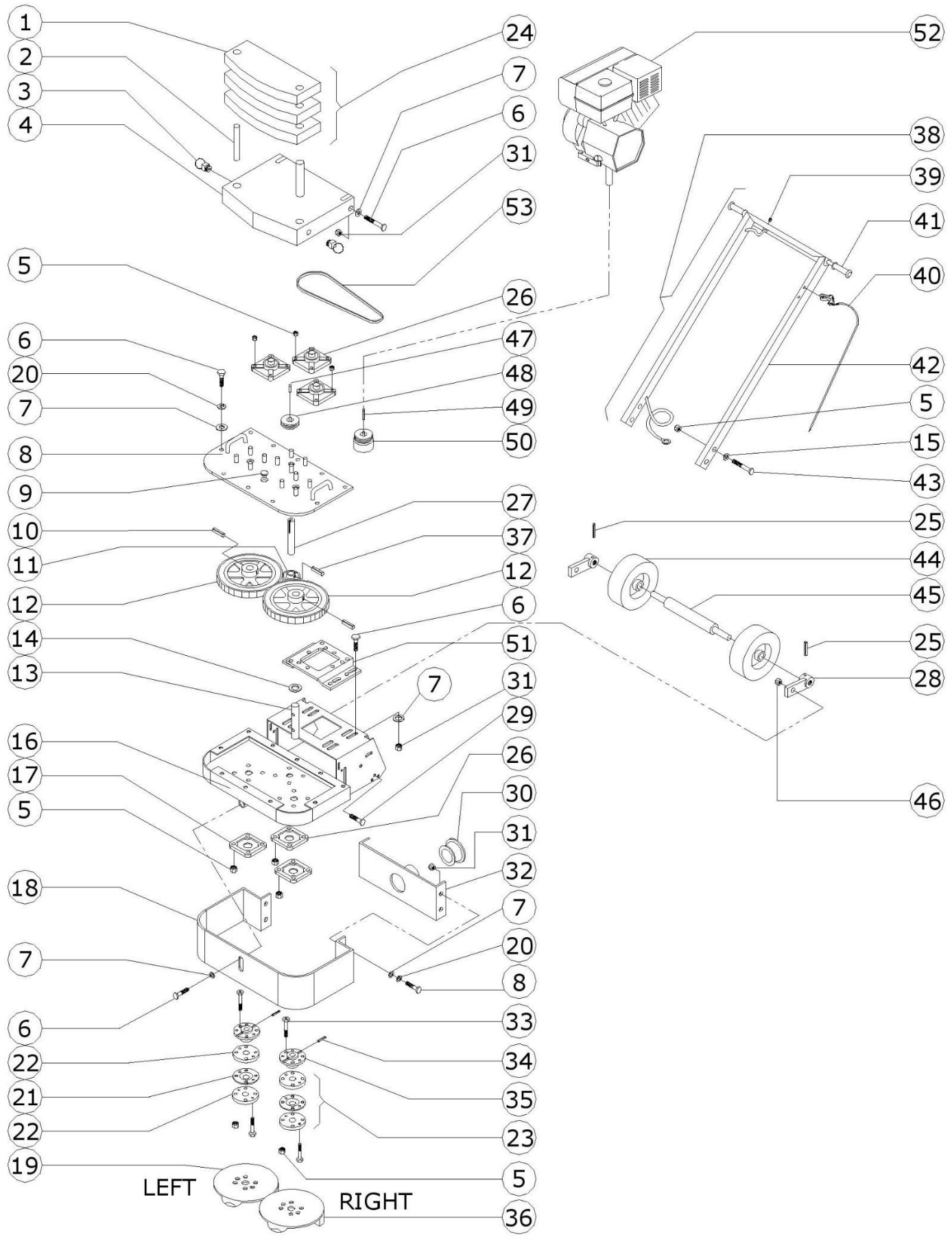


SCARIFIER TCG-10





ITEM	M.I.D. #	DESCRIPTION	TCG10
1	0504FG01CH	WEIGHT KIT	3
2	0504CR01CH	WEIGHT KIT GUIDE 1-25 X 6	2
3	0504CO01CH	PIN LOCKING 1/2	2
4	0504CO02CH	WEIGHTS SUPPORTS	1
5	TCCS038GAL	HEX, LOCK NUT, 3/8	40
6	TOCD516100	HEX HEAD SCREW, 5/16 X 1 STD	23
7	RNPX516GAL	FLAT WASHER, 5/16	23
8	0504CO03CH	GEAR COVER	1
9	0504NY01CH	CAP NYLON GRASE	1
10	00PE038300	ROLL PIN, 3/8 X 3	2
11	0504CR03AC	PINION	1
12	0504FG01AC	GEAR	2
13	0504CR01AC	GEAR SHAFT 1-25 X 8	2
14	RNPX034GAL	FLAT WASHER PINION 0.753	1
15	RNPX038GAL	FLAT WASHER, 3/8	4
16	0504CO04CH	GEAR FRAME	1
17	00CHPA4100	PILLOW BLOCK 1" DIAM	4
18	0504LA01CH	DISC COVER	1
19	0504FA01AC	ALUMINIUM LEFT DISC	1
20	RNRX516GAL	SPRING WASHER 5/16	14
21	0504LA01AC	PLATE	2
22	0504HL01AC	RUBBER	4
23	0504KI01AC	KIT, RUBBER ASSEMBLY	2
24	0504KI01CH	KIT, WEIGHT ASSEMBLY	1
25	00PE014112	ROLL PIN 1/4 X 1-1/2	2
26	00CHPA4034	PILLOW BLOCK 3/4" DIAM	2
27	0504CR02AC	SHAFT PINION	1
28	0504CO01RD	WHEEL SUPPORT	2
29	TOCD012112	HEX HEAD SCREW 1/2 X 1-1/2	2
30	0504MI01CH	CAP	1
31	TCCS516GAL	HEX, LOCK NUT, 5/16	12
32	0504CO05CH	DUST COVER	1
33	TOCH038212	ALLEN HEAD SCREW 3/8 X 2-1/2	12
34	00PE038218	ROLL PIN 3/8 X 2-1/8	2
35	0504FG02AC	HUB	2
36	0504FA02AC	ALUMINIUM RIGHT DISC	1
37	00PE038214	ROLL PIN 3/8 X 2-1/4	1
38	0504KI01MA	KIT, HANDLE ASSEMBLY	1
39	0504MI01MA	SWITCH ON/OFF	1
40	0504MI02MA	THROTTLE CABLE	1
41	0504MI03MA	HANDLE BAR GRIP	2
42	0504CO01MA	HANDLE	1
43	TOCD038200	HEX HEAD SCREW 3/8 X 2	4
44	0000LL08RD	WHEEL 8"	2
45	0504CR01RD	REAR AXLE	1

46	TCCS012GAL	HEX, LOCK NUT, 1/2	2
47	0504CC01AC	KEY 3/16 X 1-1/4	1
48	POFG5000342R	PULLEY 5" - 3/4"	1
49	0504CC02AC	KEY 1/4 X 3	1
50	POFG4001002R	ENGINE PULLEY 4" - 1"	1
51	0504LA01BM	ENGINE BASE	1
52	0000BNB24	BELT B24	1
53	MGHO110GX340TRSV	ENGINE, HONDA 11 HP GASOLINE	1