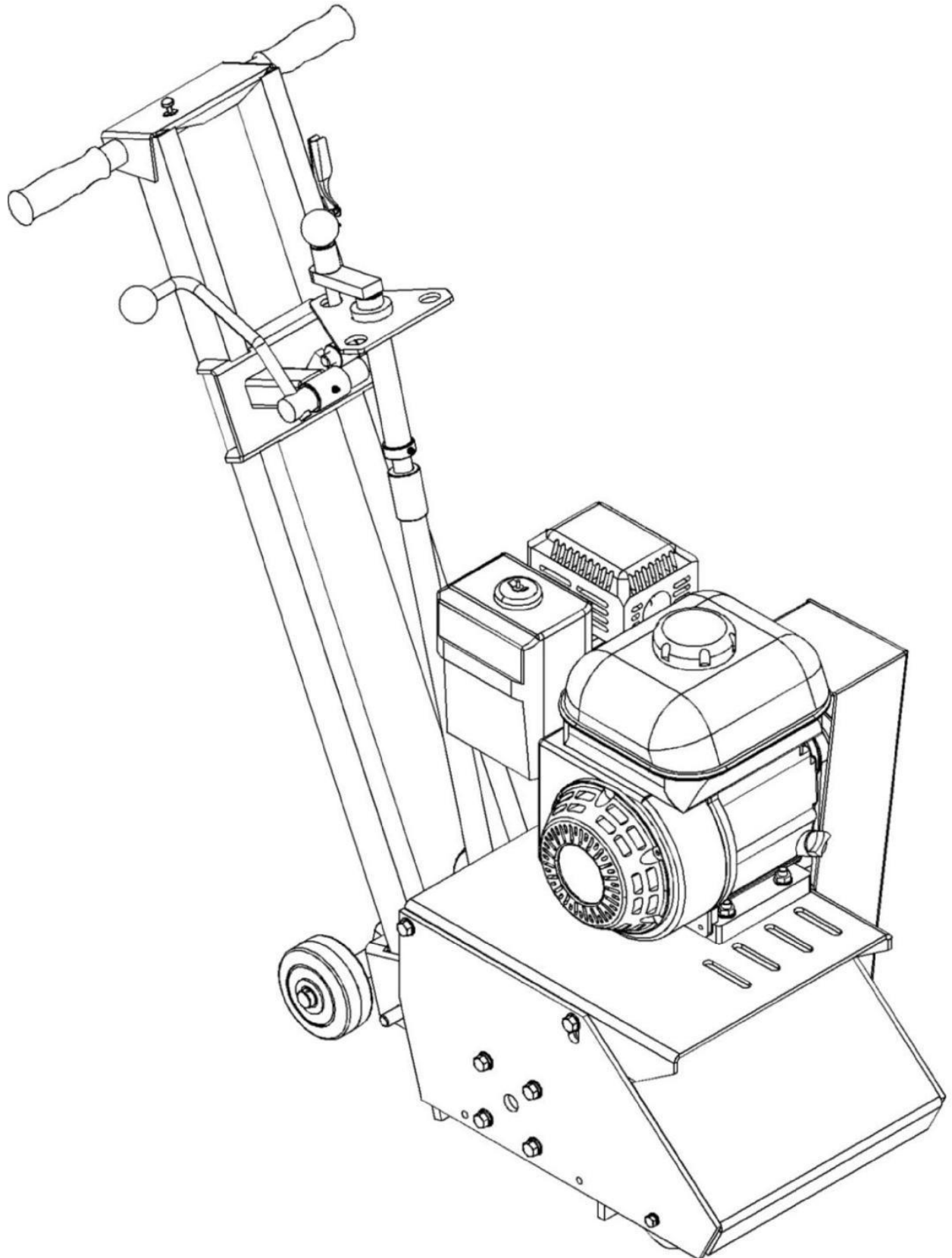
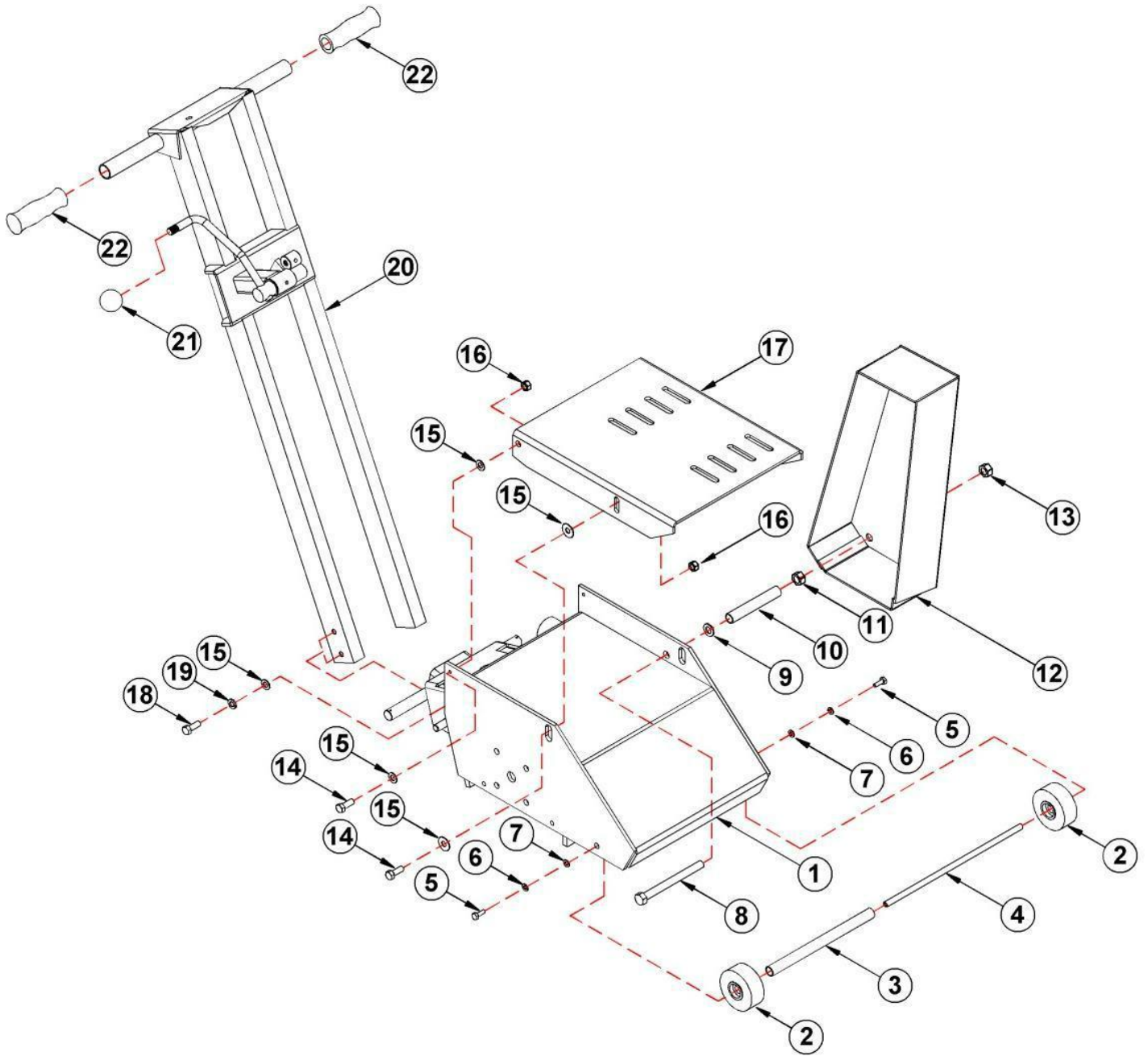


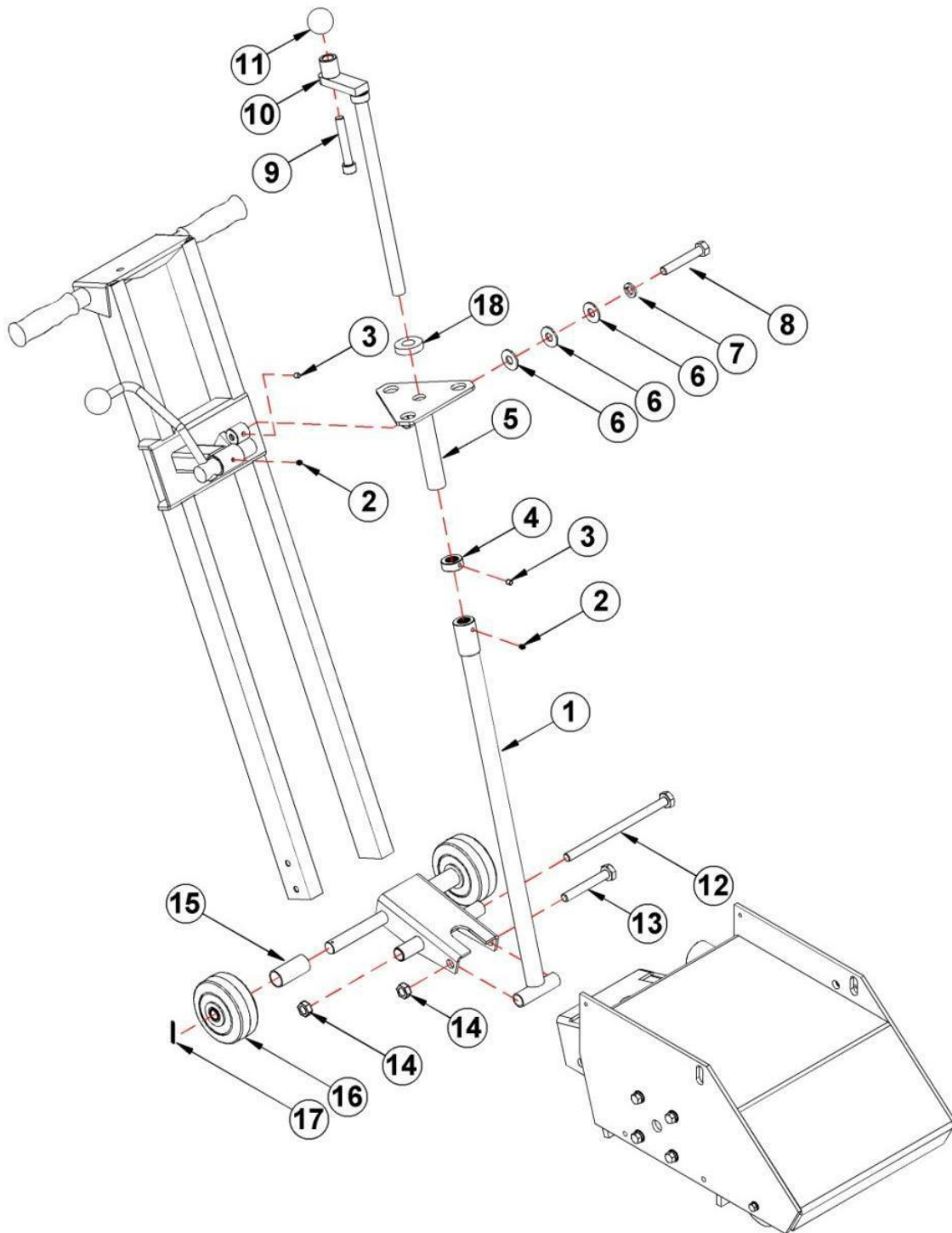
SCARIFIER TFP-9



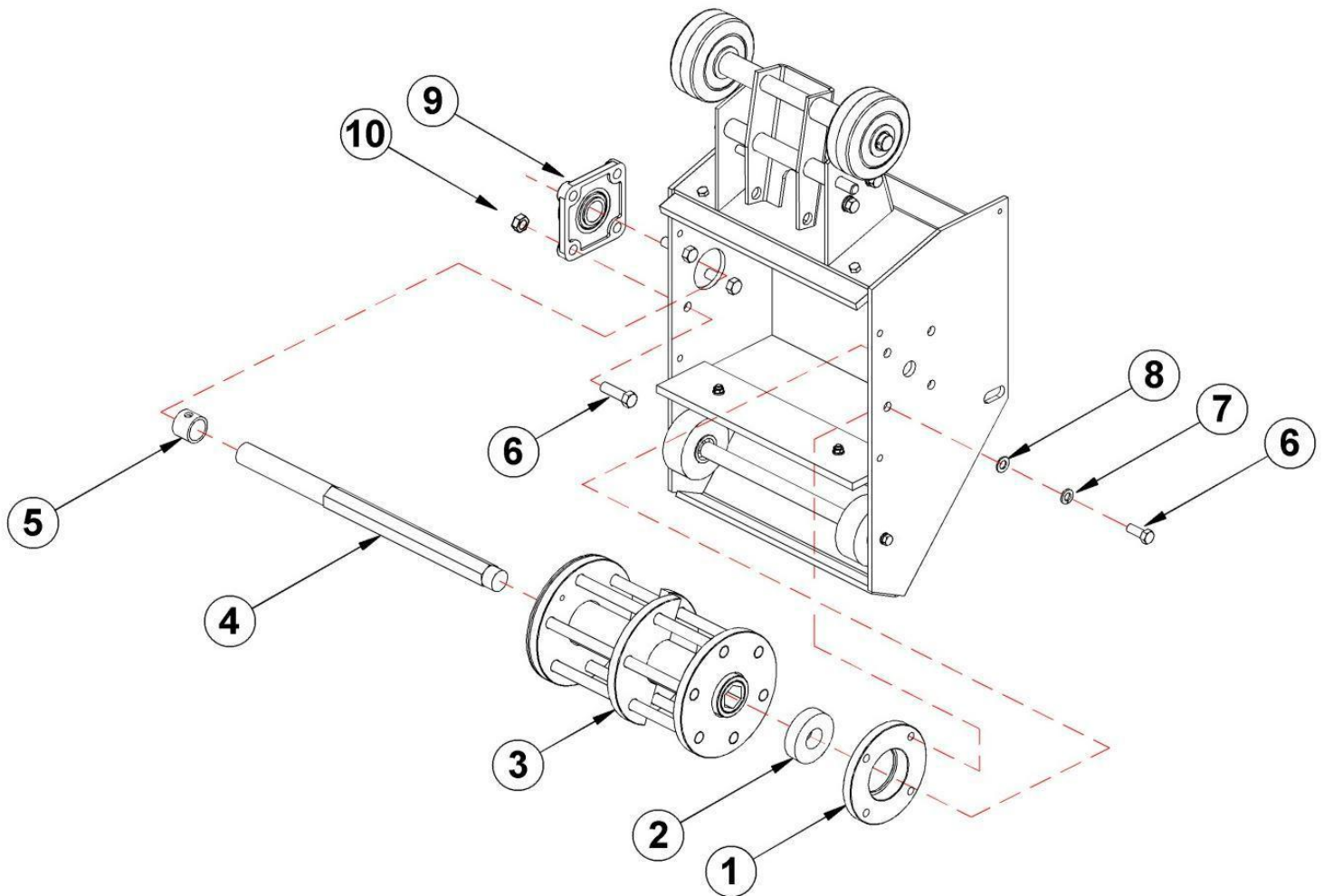


FRAME ASSEY BREAK DOWN				
ITEM	M.I.D. #	PART #	DESCRIPTION ENGLISH	TFP9
1	0503CO01CA	30204	MAIN BODY HOUSING	1
2	0000RD03RD	50357	FRONT WHEEL - 3" X 1-1/2".	2
3	0503CR03RD	50348	FRONT AXLE W/SPACER 0503TU01RD	1
4	0503TU01RD	N/A	TFP9 SPACER FOR FRONTAL AXLE 0503CR03RD	1
5	TOCD014034	N/A	HEX HEAD BOLT, 1/4" x 3/4" NC FOR WHEELS	2
6	RNRX014GAL	N/A	LOCK WASHER, 1/4" FOR HOUSING WHEELS	2
7	RNPX014GAL	N/A	FLAT WASHER, 1/4" FOR HOUSING WHEELS	2
8	TOCD012512	11747	HEX HEAD BOLT, 1/2" x 5-1/2" NC	2
9	RNPX012GAL	30289	FLAT WASHER, 1/2"	2
10	0503TU01GB	N/A	BELT GUARD SPACER	2
11	TCCN012GAL	T190	LOCKNUT HEX 1/2" (T190 - C178)	2

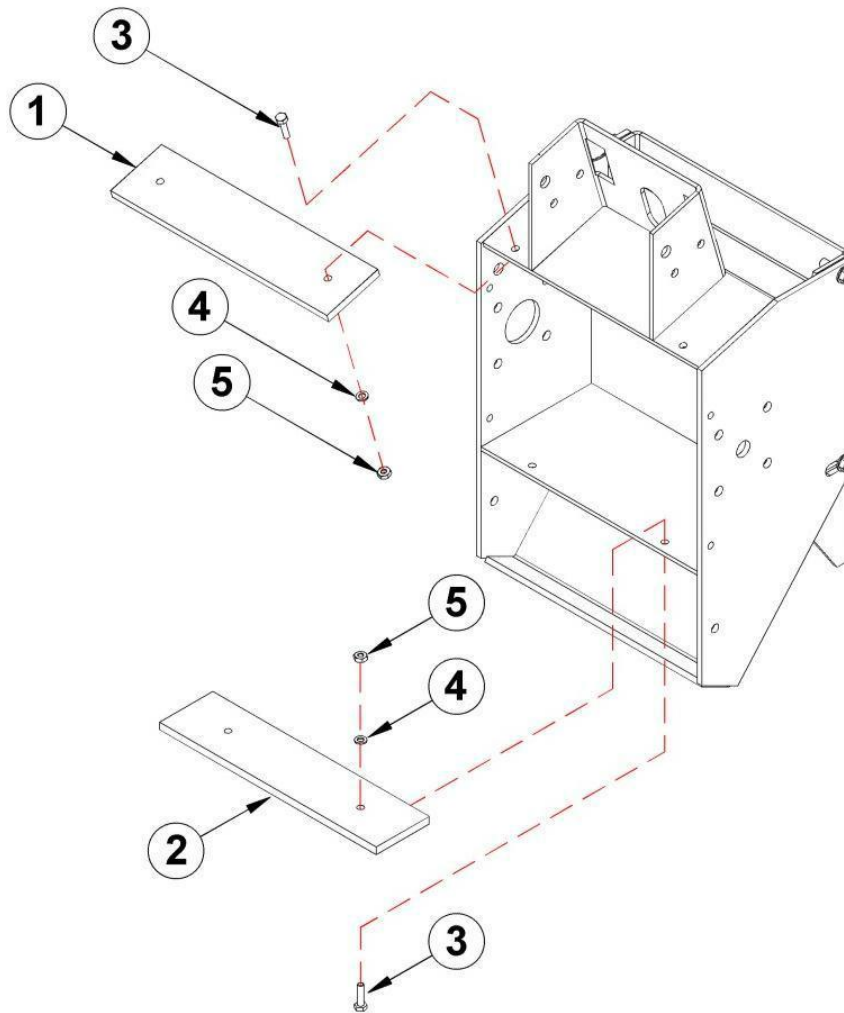
12	0503CO01GB	50522	BELT GUARD	1
13	TCCS012GAL	T106	HEX LOCKNUT 1/2" (T106 - 227854, C304)	2
14	TOCD038114	N/A	BOLT, 3/8 X 1-1/4 HX Gr5 (226220 - 134990)	4
15	RNPX038GAL	T112	PLAIN WASHER 3/8" (T112 - C139 - 174986)	12
16	TCCS038GAL	T114	LOCK NUT HEX 3/8" (227830 - T114 - C142)	4
17	0503PL01BM	30206	MOUNTING PLATE	1
18	TOCD038100	C138	HEX HEAD SCREW 3/8 x 1 - C138 - 226210	4
19	RNRX038GAL	T113	LOCK WASHER 3/8 T113 - C144 -176230	4
20	0503CO01MA	30290	TFP HANDLE ASSEY	1
21	238202	50164	KNOB BALL 1-3/8" W/ 1/2-13 THD. YLW.	1
22	0000PU11NG	30301	HANDLE GRIPS	2



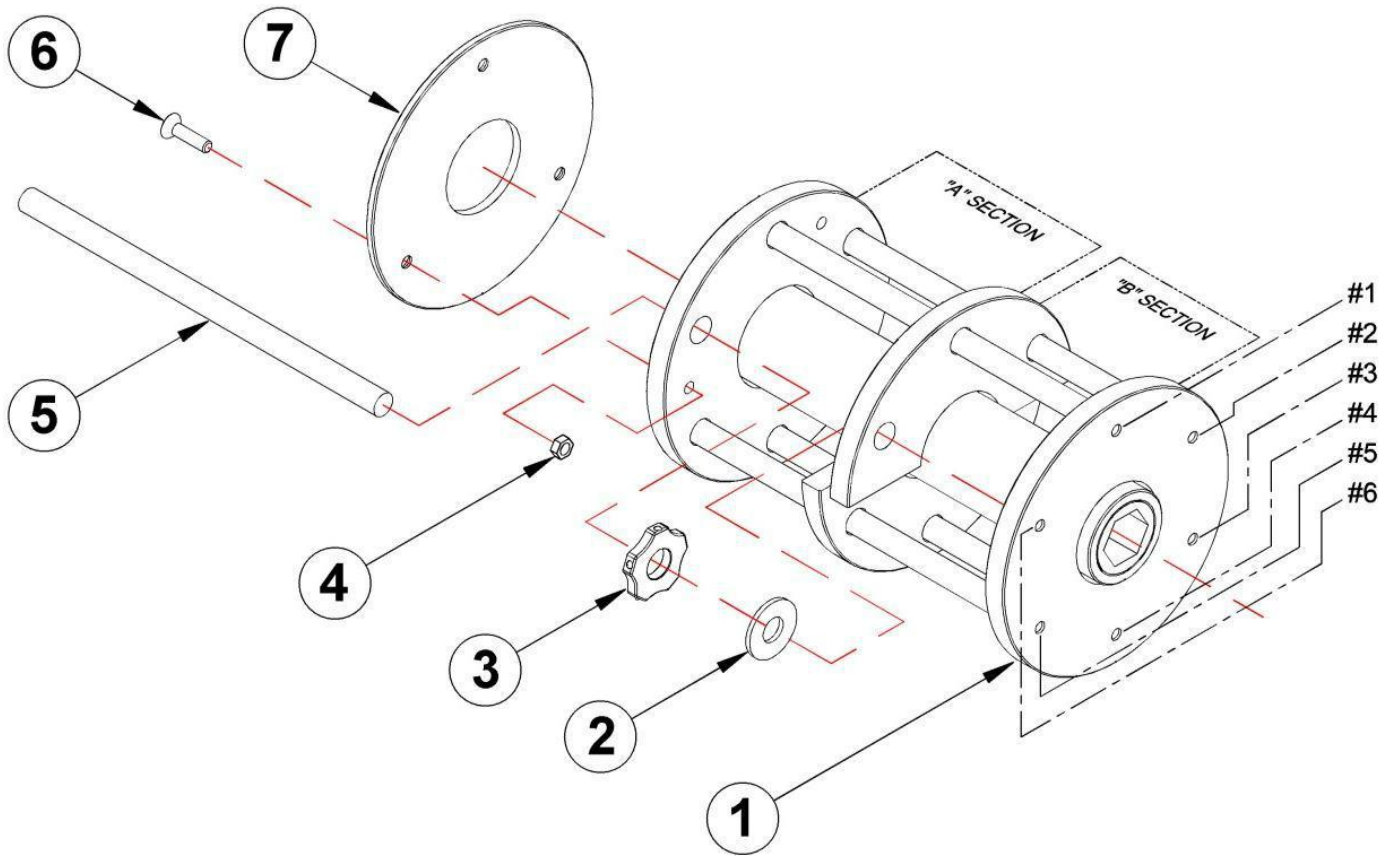
RAISE SCREW/LEVER ASSEY				
ITEM	M.I.D. #	PART #	DESCRIPTION ENGLISH	TFP9
1	0503CO01TE		LEVER LINKAGE	1
2	OPCR014014		SET SCREW, 1/4"X1/4"	2
3	0000GRH200	C155	FTG, GREASE ST 1/8 NPT (110680 – C155)	2
4	0503CR07TE		LEVER COLLAR	1
5	0503CO02TE		LEVER BASE	1
6	RNPX012GAL	30289	FLAT WASHER, 1/2"	2
7	RNRX012GAL	C145	LOCK WASHER 1/2 C145 - 176250	1
8	TOCD012300	T481	BOLT HEX HD, SHEAR, 1/2" x 3"	1
9	TOCG012400		ALLEMN HEAD BOLT, 1/2" x 4" NC	1
10	0503CO03TE		LEVER SCARIFIER	1
11	238202	50164	KNOB BALL 1-3/8" W/ 1/2-13 THD. YLW.	1
12	TOCD012800		HEX HEAD BOLT 1/2"*8"NC	1
13	TOCD012312		BOLT, HEXHD, 1/2 X 3-1/2 - 120520	1
14	TCCS012GAL	T106	HEX LOCKNUT 1/2" (T106 - 227854, C304)	2
15	0503TU02RD		REAR AXLE SPACER	2
16	227162	50356	SCARIFIER REAR WHEEL, 4" X 1 1/2" (50356)	2
17	SC18112NOR	135810	COTTER PIN, 1/8 x 1-1/2 (135810)	2
18	0000BAN607		BEARING, NICE 607	1



HOUSING & CARTRIDGE ASSEY				
ITEM	M.I.D. #	PART #	DESCRIPTION ENGLISH	TFP9
1	0503PL07CA		HUB, BEARING	1
2	0000BA6305		BALL, BEARING, 6305	1
3	0503CO01CT	0503CO02CT	TFP HUB KIT (CAGE & SHAFTS) NO CUTTERS	1
3	0503CO01EF		TFP HUB KIT WITH HUB, SHAFT, CUTTERS (66) & SPACERS (314)	1
4	0503CX01EC		CARTRIGE HEX MAIN SHAFT TFP9 COLD ROLL 1045	1
5	0503CR01EC		CARTRIGE SPACER	1
6	TOCD038112	T176	HEX HEAD CAP SCREW 3/8" X 1-1/2" (T176 - C141 - 226230)	8
7	RNRX038GAL	T113	LOCK WASHER 3/8 T113 - C144 -176230	4
8	RNPX038GAL	T112	PLAIN WASHER 3/8" (T112 - C139 - 174986)	4
9	00CHPA4100	F205	PILLOW BLOCK, 4 HOLES F205	1
10	TCCS038GAL	T114	LOCK NUT HEX 3/8" (227830 - T114 - C142)	4



BRUSH HOUSING ASSEY				
ITEM	M.I.D. #	PART #	DESCRIPTION ENGLISH	TFP9
1	0503HN01HL	N/A	BRUSH, FRONT	1
2	0503HN02HL	N/A	BRUSH, REAR	1
3	TOCD014100	N/A	HEX HEAD BOLT 1/4 x 1 NC	4
4	RNPX014GAL	N/A	FLAT WASHER, 1/4" FOR HOUSING WHEELS	4
5	TCCS014GAL	N/A	1/4 LOCK NUT	3



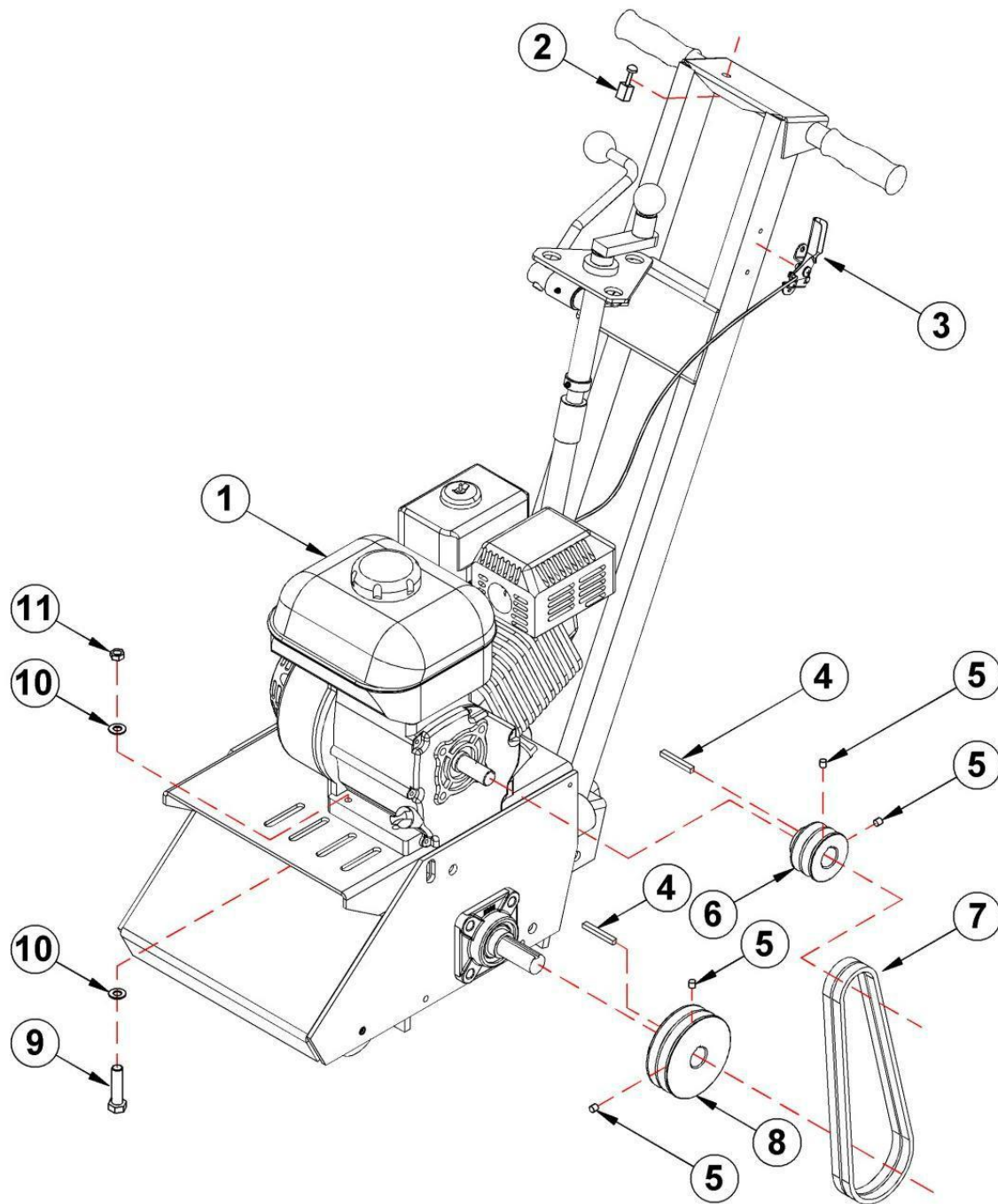
BRUSH HOUSING ASSEY				
ITEM	M.I.D. #	PART #	DESCRIPTION ENGLISH	TFP9
*	0503CO01EF		TFP HUB KIT WITH HUB, SHAFT, CUTTERS (66) & SPACERS (314)	1
1	0503CO01CT		TFP HUB KIT (CAGE & SHAFTS) NO CUTTERS	1
2	RNPX012ESP		1/2" FLAT WASHER SP (SPACER)	314
3	0502KI01MC		TUNGSTEN CUTTER, 5 POINTS	66
4	TCCS014GAL		1/4 LOCK NUT	3
5	0503CR01CT		SCARIFIER CAGE SHAFT	6
6	TOCT014100		COUNTERSUNK HEAD SCREW, 1/4" x 1"	3
7	0503PL04EC		CAGE COVER	1

CUTTER DRUM SET-UP

# Shaft	"A" SECTION												"B" SECTION													
	W	C	W	C	W	C	W	C	W	C	W	C	C	W	C	W	C	W	C	W	C	W	C	W	C	W
1	1		3		5		4		5		6		1		4		5		5		4		5		5	
2	4		3		4		5		5		3		4		5		5		5		5		3		2	
3	1		2		5		5		8		5		3		1		4		6		4		4		4	
4	2		5		4		4		3		6		3		5		4		5		4		4		1	
5	5		5		4		5		3		4		3		3		4		4		4		4		5	
6	2		5		5		5		5		2		3		6		4		5		4		5		2	

W = Washer (See Item 2)

C = Cutter (See Item 3)



ENGINE ASSEY				
ITEM	M.I.D. #	PART #	DESCRIPTION ENGLISH	TFP9
1	MGHO080GX240	202008M	HONDA ENGINE 202008M	1
2	0200KI01GA	112500	PUSH TO STOP ASSEMBLY (WITH HARNESS) T193 - 290100 - C190	1
3	B15B235		THROTTLE, CABLE LEVER 28 KIT	1
4	0503CC01MO		KEY 1/4"X 2"	2
5	OPCR014014		SET SCREW, 1/4"X1/4"	4
6	POFG21210X2RM	POFG212100	PULLEY, 2.5 O.D. 1" BORE 2 Gr. A	1
7	0000BNAX33		BELT AX33	2
8	POFG4141002RM		PULLEY, 4.25 O.D. 1" BORE, 2 Gr. A.	1
9	TOCD038200	T145	BOLT, HEX HD, 3/8" X 2" (226250 - T145- C158)	4
10	RNPX038GAL	T112	PLAIN WASHER 3/8" (T112 - C139 - 174986)	8
11	TCCS038GAL	T114	LOCK NUT HEX 3/8" (227830 - T114 - C142)	4