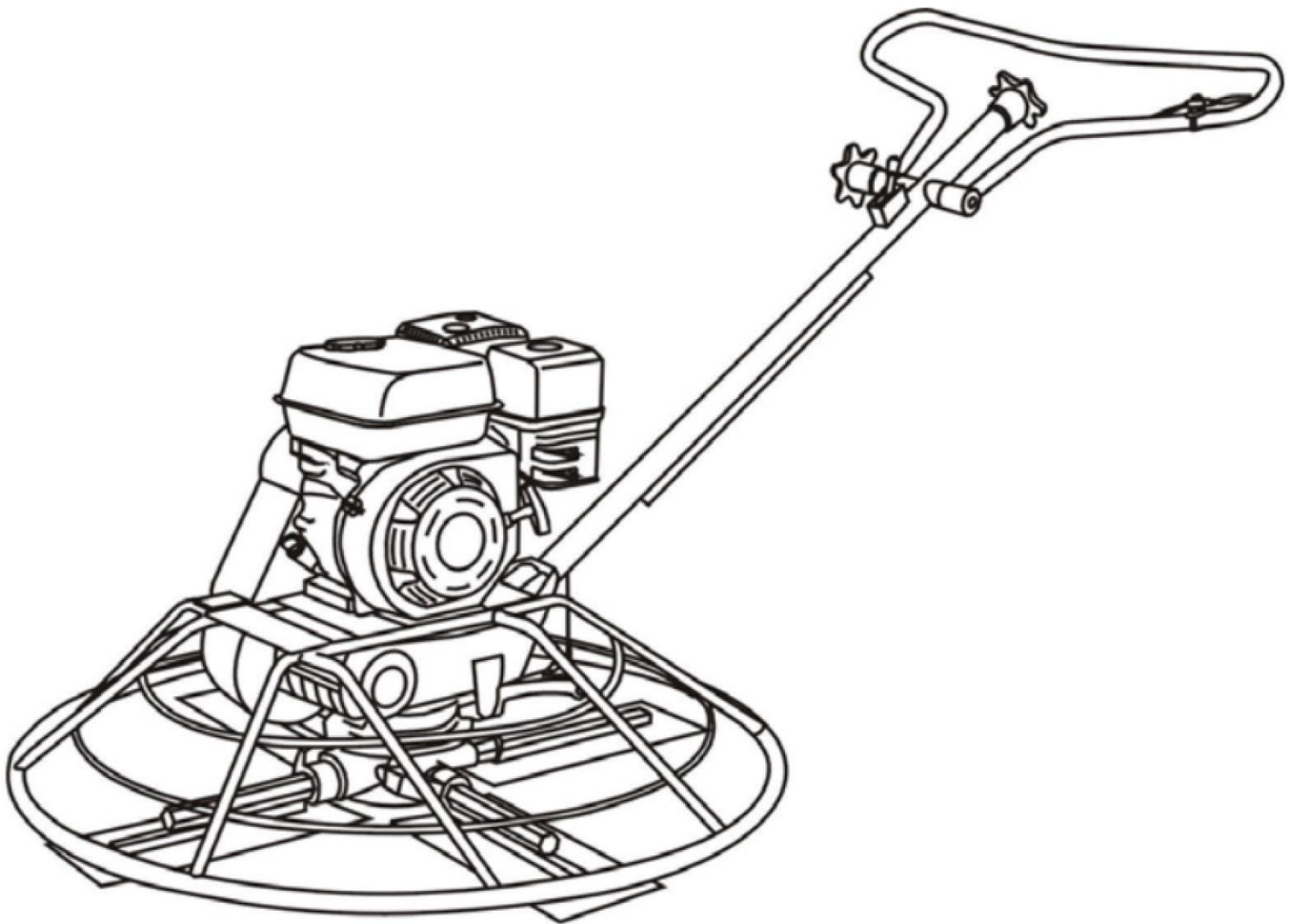
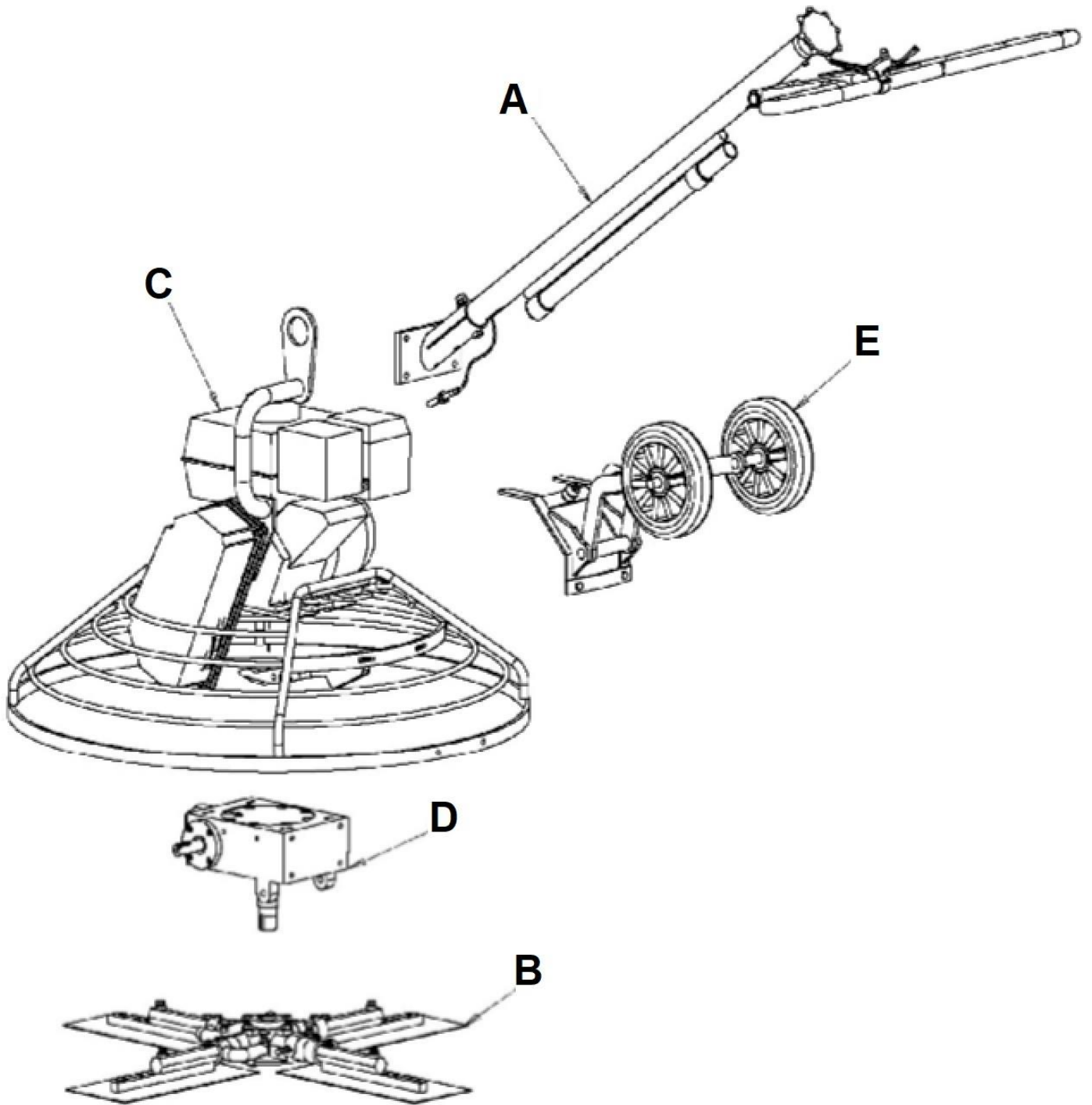


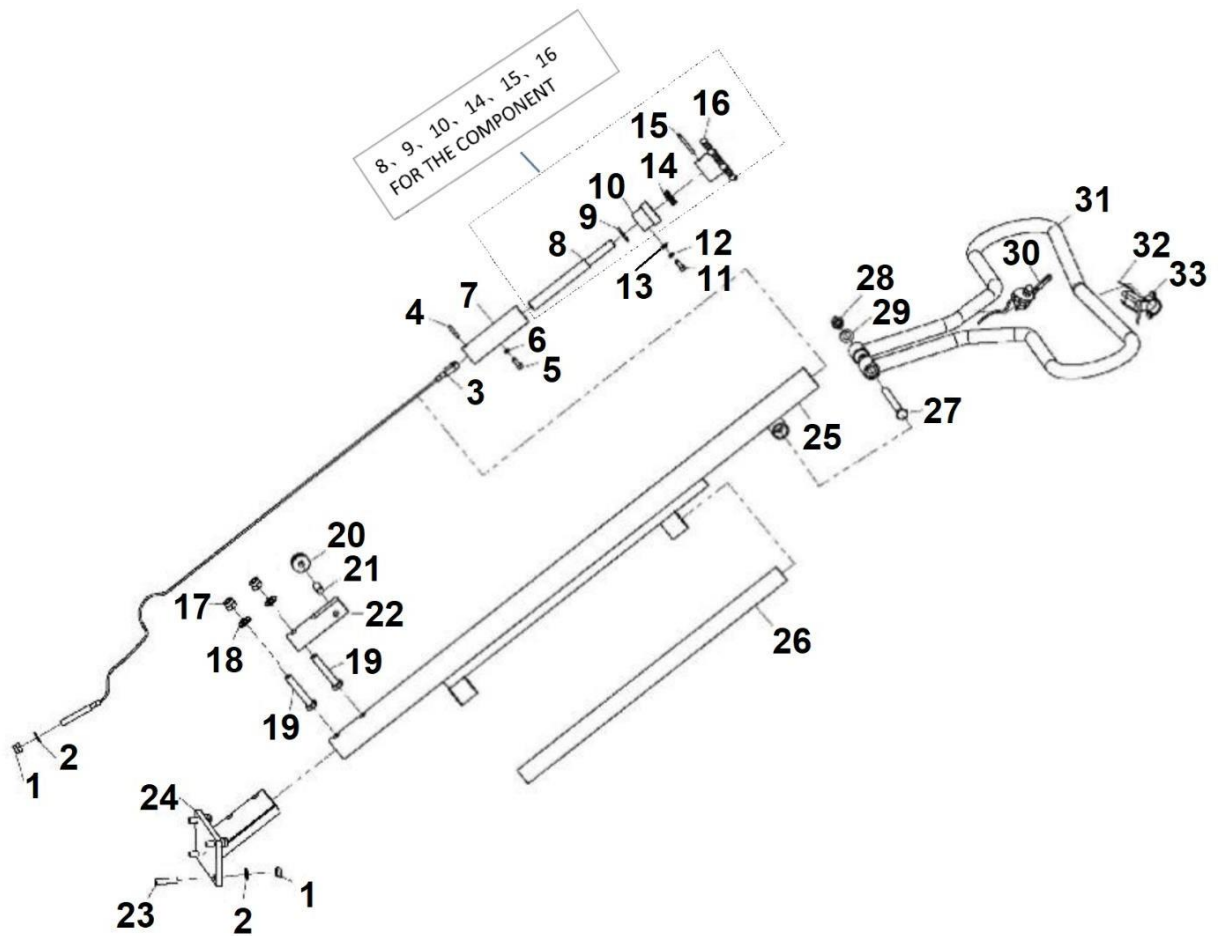
POWER TROWELS

WBT36" – WBT46"



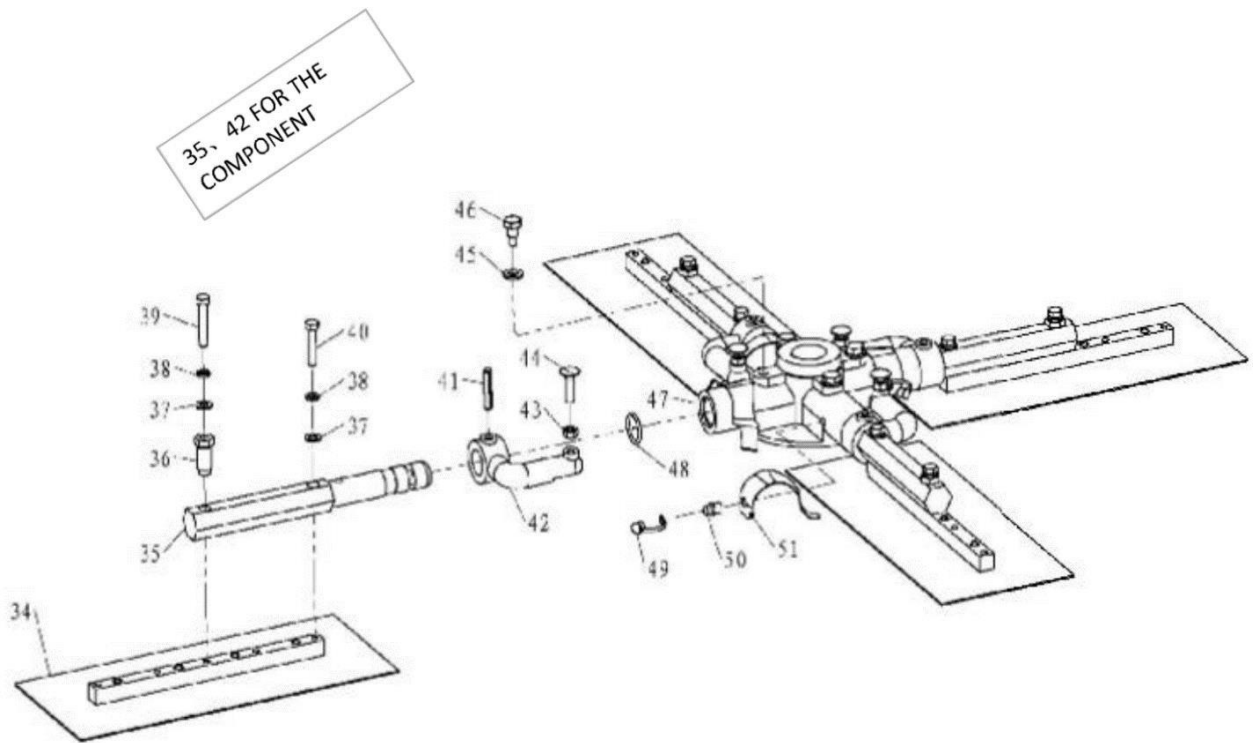


FRAME ASSEY BREAK DOWN					
ITEM	SKU #	DESCRIPTION ENGLISH	WBT36	WBT46	PRICE LIST
A	WBT360100040-1	HANDLE ASSY. FOR WBT36	1		\$0.00
A	WBT460100040-2	HANDLE ASSY. FOR WBT46		1	\$0.00
B	WBT360200003-1	SPIDER PLATE ASSY., WBT36	1		\$0.00
B	WBT460200003-3	SPIDER PLATE ASSY., WBT46		1	\$0.00
C	WBT360200000-1	ENGINE AND PROTECTIVE FRAME FOR WBT36	1		\$0.00
C	WBT460200000-3	ENGINE AND PROTECTIVE FRAME FOR WBT46		1	\$0.00
D	WBT360200058-1	GEARBOX ASSY.WBT36	1		\$0.00
D	WBT460200058-2	GEARBOX ASSY.WBT42/46		1	\$0.00
E	WBT360400000	TRANSPORT WHEEL FOR WBT36	1		\$0.00

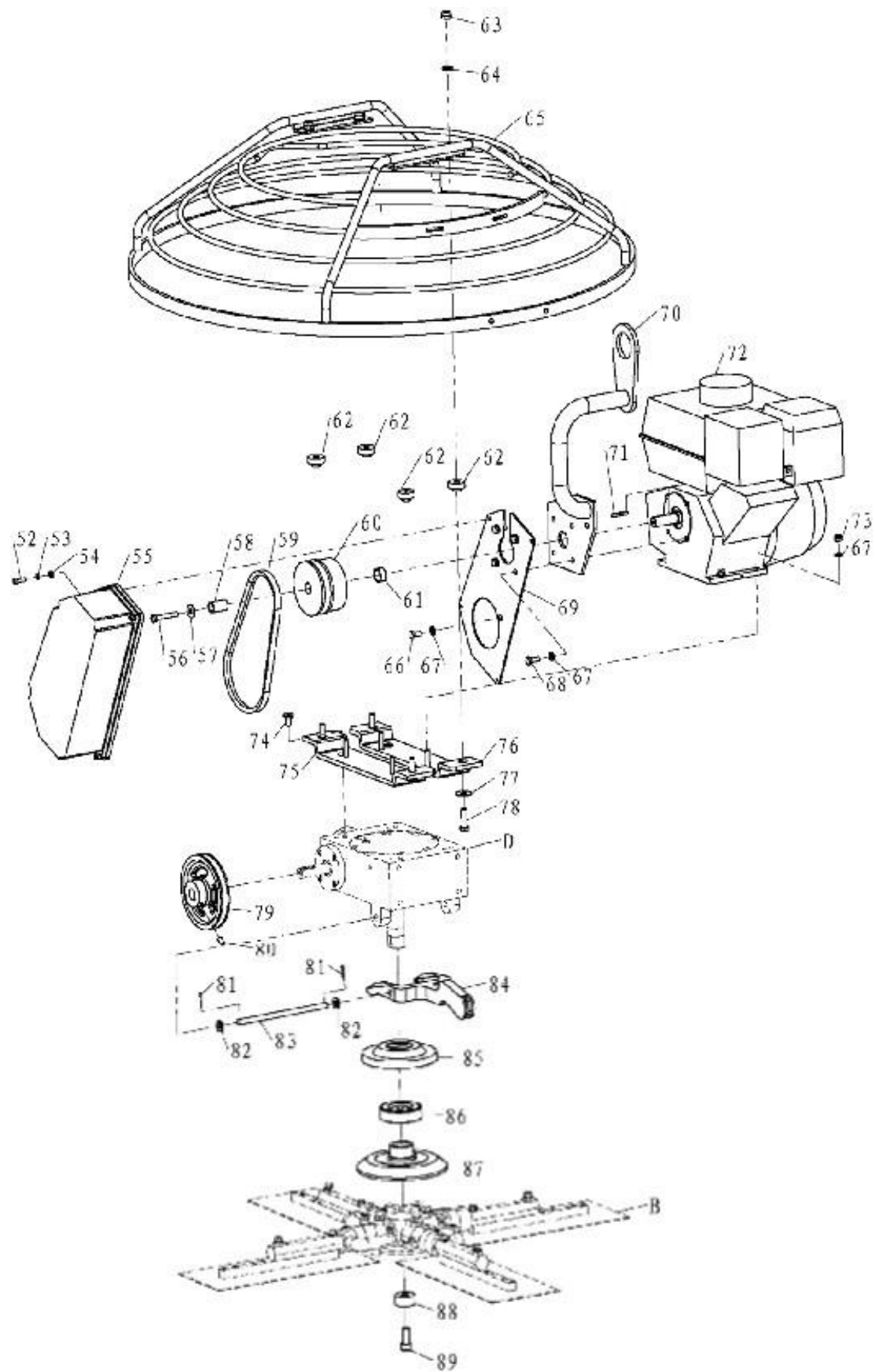


ITEM	SKU #	DESCRIPTION ENGLISH	WBT36	WBT46	PRICE LIST
1	WB360100031	LOCK SCREW Φ 10	5	5	\$0.00
2	WBT360100032	WASHER Φ 10	5	5	\$0.00
3	WBT360100018	WIRE.WBT36	1	1	\$0.00
3	WBT460100018-1	WIRE.WBT46	1	1	\$0.00
4	WBT360100025	PIN	1	1	\$0.00
5	WBT360100007	SCREW	1	1	\$0.00
6	WBT360100033	SPRING W ASHER	1	1	\$0.00
7	WBT360100011	SHAFT, TROWEL CONTROL	1	1	\$0.00
8	WBT360100013	BOLT	1	1	\$0.00
9	WBT360100022	SPACER	1	1	\$0.00
10	WBT360100012	COLLAR	1	1	\$0.00
11	WBT360100026	SCREW	1	1	\$0.00
12	WBT360100034	SPRING W ASHER	1	1	\$0.00
13	WBT360100035	SPACER	1	1	\$0.00
14	WBT360100024	BERING	1	1	\$0.00
15	WBT360100014	PIN	1	1	\$0.00
16	WBT360100015	WHEEL, HAND HANDLE	1	1	\$0.00
17	WBT360100005	NUT	2	2	\$0.00
18	WBT360100036	SPACER	2	2	\$0.00
19	WBT360100000	SCREW	2	2	\$0.00
20	WBT360100003	PULLEY, SUPPORT BLOCK	1	1	\$0.00
21	WBT360100004	PIN, SUPPORT BLOCK	1	1	\$0.00
22	WBT360100002	BLOCK SUPPORT	1	1	\$0.00
23	WBT360100037	STUD BOLT M10*40 (A)	4	4	\$0.00
24	WBT360100001	BRACKET	1	1	\$0.00
25	WBT360100027-1	BRACKET, HANDLE ADJUSTABLE, WBT36	1	1	\$0.00
25	WBT360100027-2	BRACKET, HANDLE ADJUSTABLE, WBT46		1	\$0.00

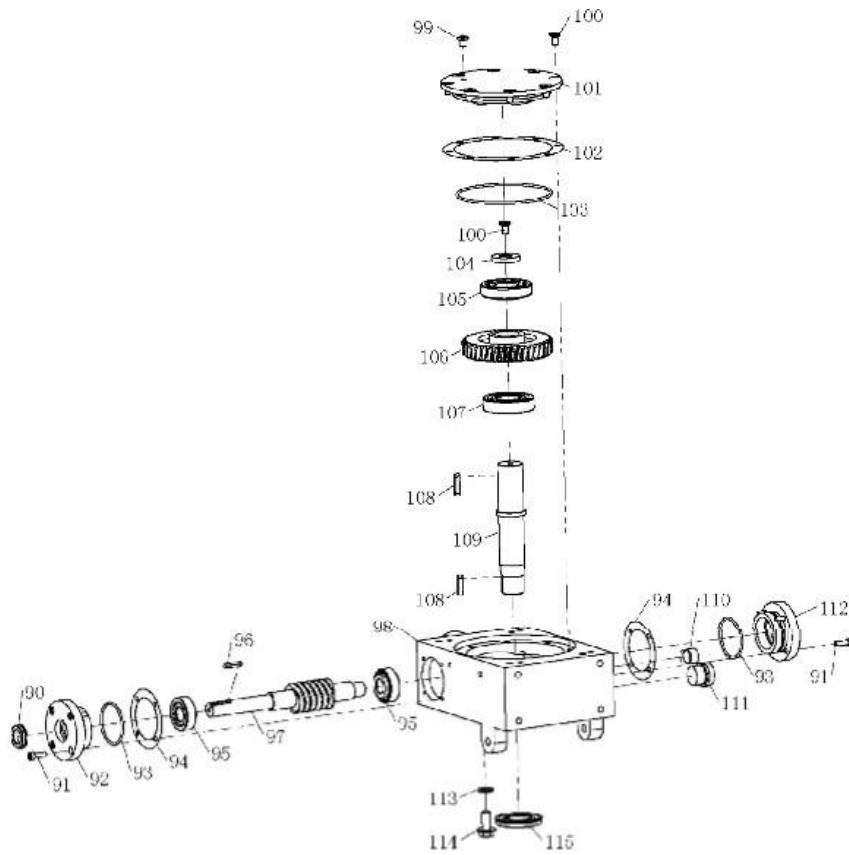
26	WBT360100006-1	LIFTING TUBE, WBT36	1		\$0.00
26	WBT460100006-2	LIFTING TUBE, WBT46		1	\$0.00
27	WBT360100028	SCREW	1	1	\$0.00
28	WBT360100029	NUT	1	1	\$0.00
29	WBT360100038	SPACER	1	1	\$0.00
30	WBT360100009	THROTTLE CONTROL	1	1	\$0.00
31	WBT360100030	HANDLE ADJUSTABLE	1	1	\$0.00
32	WBT360100039	CABLE	2	2	\$0.00
33	WBT360100010	SAFETY STOP SWITCH ASSY.	1	1	\$0.00



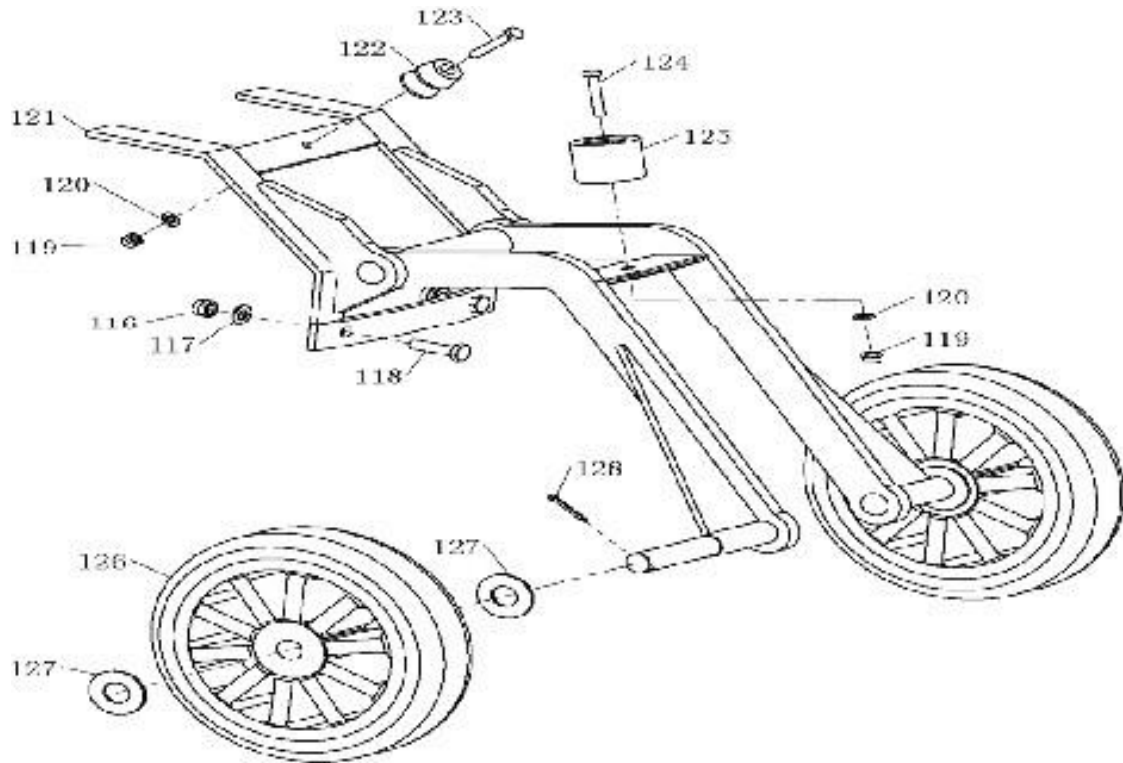
ITEM	SKU #	DESCRIPTION ENGLISH	WBT36	WBT46	PRICE LIST
34	WBT360200009-1	BLADE, MT36	4		\$0.00
34	WBT460200009-3	BLADE, MT46		4	\$0.00
35	WBT360200010-1	TROWEL ARM EXTENDED, MT36	4		\$0.00
35	WBT460200010-2	TROWEL ARM EXTENDED, WBT46		4	\$0.00
36	WBT360200059	BOLT FOR ADJUSTING BLADE M14*1.0	4		\$0.00
37	WBT360200011	SPACER	8		\$0.00
38	WBT360200012	SPRING W ASHER	8		\$0.00
39	WBT360200013	SCREW	4		\$0.00
40	WBT360200060	SCREW	4		\$0.00
41	WBT360200016	ROLL PIN	4		\$0.00
42	WBT360200014	TROWEL ARM LEVER	4		\$0.00
43	WBT360200018	NUT	4		\$0.00
44	WBT360200017	RADIUS HEAD SCREW	4		\$0.00
45	WBT360200061	SPACER	4		\$0.00
46	WBT360200062	SCREW M10*20	4		\$0.00
47	WBT360200019	SPIDER PLATE ONLY	1		\$0.00
48	WBT360200063	O RING 30*3.0	4		\$0.00
49	WBT360200064	COVER	4		\$0.00
50	WBT360200022	SCREW	4		\$0.00
51	WBT360200020	SPRING PLATE	4		\$0.00



ITEM	SKU #	DESCRIPTION ENGLISH	WBT36	WBT46	PRICE LIST
52	WBT360200027-1	SCREW M6 FOR WBT36	4		\$0.00
52	WBT460200027-2	SCREW M6*25 FOR WBT46		4	\$0.00
53	WBT360200065	SPRING W ASHER 6	4	4	\$0.00
54	WBT360200028	SPACER	4	4	\$0.00
55	WBT360200029-1	BELT GUARD, WBT36	1		\$0.00
55	WBT460200029-2	BELT GUARD, WBT46		1	\$0.00
56	WBT360200045-1	SCREW FOR KEY 20MM	1	1	\$0.00
56	WBT360200045-2	SCREW FOR KEY 19.05MM	1	1	\$0.00
56	WBT360200045-3	SCREW FOR KEY 25MM	1	1	\$0.00
56	WBT360200045-4	SCREW FOR KEY 25.4MM	1	1	\$0.00
57	WBT360200047-1	SPACER FOR WBT36	1		\$0.00
57	WBT460200047-2	SPACER FOR WBT46		1	\$0.00
58	WBT360200066	PIPE	1	1	\$0.00
59	WBT360200044-1	BELT, WBT36,	1		\$0.00
59	WBT460200044-2	BELT, WBT46		1	\$0.00
60	WBT360200048-1	CLUTCH ASSY. WBT36	1		\$0.00
60	WBT460200048-2	CLUTCH ASSY. WBT46		1	\$0.00
61	WBT360200050	WASHER	1	1	\$0.00
62	WBT360200036	RUBBER W ASHER	4	4	\$0.00
63	WBT360200035	NUT	4	4	\$0.00
64	WBT360200067	FLAT WASHER 10	4	4	\$0.00
65	WBT360200038-1	GUARD RING ASSY., WBT36	1		\$0.00
65	WBT460200038-2	GUARD RING ASSY., WBT46		1	\$0.00
66	WBT360200068	SCREW FOR KEY 25MM	1	1	\$0.00
67	WBT360200041	SPACER	9	9	\$0.00
68	WBT360200069	HEX HEAD SCREW (OPTIONAL)	4	4	\$0.00
69	WBT360200031-1	MOUNTING PLATE, BELT GUARD WBT36	1		\$0.00
69	WBT460200031-2	MOUNTING PLATE, BELT GUARD WBT46		1	\$0.00
70	WBT360200049-1	LIFTING HOOK, WBT36 (OPTIONAL)	1		\$0.00
70	WBT460200049-2	LIFTING HOOK, WBT46 (OPTIONAL)		1	\$0.00
71	WBT360200054	KEY	1	1	\$0.00
72	WBT360200055-3	HONDA PETROL ENGINE 5.5HP, WBT36	1		\$0.00
72	WBT460200057-2	HONDA PETROL ENGINE 8HP, WBT46		1	\$0.00
73	WBT360200043	NUT	4	4	\$0.00
74	WBT360200034	SCREW, FLAT HEAD	4	8	\$0.00
75	WBT360200030-1	FRONT ENGINE MOUNTING PLATE.WBT36	1		\$0.00
75	WBT460200030-2	FRONT ENGINE MOUNTING PLATE.WBT46		1	\$0.00
76	WBT360200037-1	REAR ENGINE MOUNTING PLATE.WBT36	1		\$0.00
76	WBT460200037-2	REAR ENGINE MOUNTING PLATE. WBT46		1	\$0.00
77	WBT360200070	SPACER	4	4	\$0.00
78	WBT360200039	SCREW	4	4	\$0.00
79	WBT360200032	PULLEY	1	1	\$0.00
80	WBT360200071	SOCKET HEAD SCREW M8x16	1	1	\$0.00
81	WBT360200072	SPRING PIN Φ 2.5x16	2	2	\$0.00
82	WBT360200024	WASHER	2	2	\$0.00
83	WBT360200023	PIN, YOKE	1	1	\$0.00
84	WBT360200008	ARM, YOKE	1	1	\$0.00
85	WBT360200007	WEAR RING	1	1	\$0.00
86	WBT360200006	BEARING	1	1	\$0.00
87	WBT360200005	WEAR PLATE	1	1	\$0.00
88	WBT360200002	SPACER	1	1	\$0.00
89	WBT360200001	SCREW MIZ	1	1	\$0.00



ITEM	SKU #	DESCRIPTION ENGLISH	WBT36	WBT46	PRICE LIST
90	WBT360300001	SEAL	1	1	\$0.00
91	WBT360300002	SCREW	8	8	\$0.00
92	WBT360300003	FLANGE, INPUT SHAFT	1	1	\$0.00
93	WBT360300005	O-RING	2	2	\$0.00
94	WBT360300004	PLATE, SEAL	2	2	\$0.00
95	WBT360300006	BEARING	2	2	\$0.00
96	WBT360200033	KEY	1	1	\$0.00
97	WBT360300007	GEAR, WORM & SHAFT ASSY.	1	1	\$0.00
98	WBT360300010	CASE, GEAR	1	1	\$0.00
99	WBT360300027	SCREW	1	1	\$0.00
100	WBT360300028	SCREW M8	9	9	\$0.00
101	WBT360300026	COVER, GEAR BOX	1	1	\$0.00
102	WBT360300025	SEAL	1	1	\$0.00
103	WBT360300029	O-RING	1	1	\$0.00
104	WBT360300023	SPACER	1	1	\$0.00
105	WBT360300022	BEARING	1	1	\$0.00
106	WBT360300021	GEAR, WORM	1	1	\$0.00
107	WBT360300020	BEARING	1	1	\$0.00
108	WBT360200004	PIN	2	2	\$0.00
109	WBT360300019	SHAFT	1	1	\$0.00
110	WBT360300013	FITTING, PLUG	1	1	\$0.00
111	WBT360300011	SIGHT GLASS	1	1	\$0.00
112	WBT360300014	FLANGE	1	1	\$0.00
113	WBT360300030	COPPER WASHER Φ12	1	1	\$0.00
114	WBT360300031	HEX HEAD SCREW M12	1	1	\$0.00
115	WBT360300009	SEAL, OIL	1	1	\$0.00



ITEM	SKU #	DESCRIPTION	WBT36	WBT46	PRICE LIST
116	WBT360400001	LOCK SCREW M8	2	N/A	\$0.00
117	WBT360400002	WASHER 8	2	N/A	\$0.00
118	WBT360400003	HEX HEAD BOLT M8*25	2	N/A	\$0.00
119	WBT360400004	LOCK SCREW M6	2	N/A	\$0.00
120	WBT360400005	WASHER 6	2	N/A	\$0.00
121	WBT360400006	BRACKET FOR TRANSPORT WHEEL	1	N/A	\$0.00
122	WBT360400007	RUBBER BLOCK A	1	N/A	\$0.00
123	WBT360400008	SOCKET HEAD BOLT M6*30	1	N/A	\$0.00
124	WBT360400009	HEX HEAD BOLT M6	1	N/A	\$0.00
125	WBT360400010	RUBBER BLOCK B	1	N/A	\$0.00
126	WBT360400011	WHEEL	2	N/A	\$0.00
127	WBT360400012	FLAT SPRING	4	N/A	\$0.00
128	WBT360400013	SPRING PIN	2	N/A	\$0.00

www.tkequip.com
salesmanager@tkequip.com
sales@tkequip.com

Office: 956-796-9411

Tel: 956-740-3740

Fax: 956-462-2500